

VCT.

Lobe knobs

Technopolymer

ELESA Original design



Main specifications

Material

High-resilience polypropylene based (PP) technopolymer, black colour, matte finish. VCT.25: glass-fibre reinforced polyamide based (PA) technopolymer.

Coloured centre cap

Technopolymer, matte finish. Not available for VCT.25.

To order, add the index of the desired colour (C9, ..., C6) to the code and the description.

On request and for sufficient quantities it can be supplied in other colours or with customised graphic symbols, marks or writings.

Standard executions

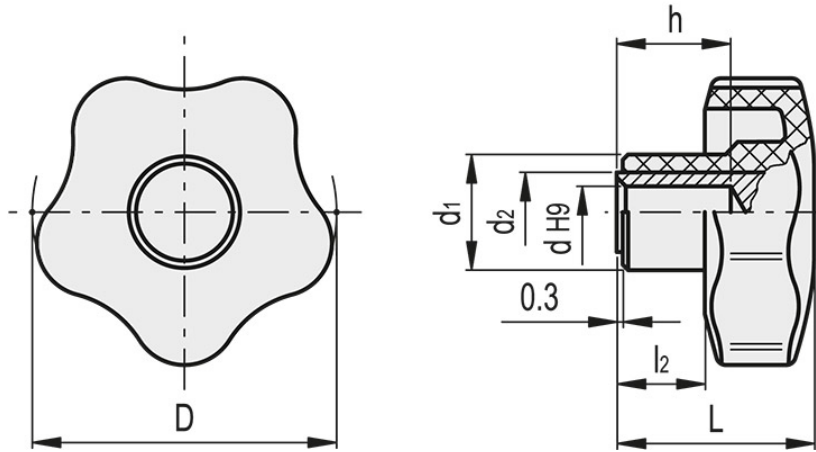
- **VCT-A:** black-oxide steel boss, plain blind hole.
- **VCT-B:** brass boss, threaded blind hole (VCT.25 - 95) or threaded pass-through hole (VCT.32 - 40 - 50 - 63 - 74).
- **VCT.FP:** brass boss, threaded pass-through hole.
- **VCT-p:** zinc-plated steel threaded stud, chamfered flat end according to UNI 947 : ISO 4753 (see [TECHNICAL DATA](#)).

Accessories on request

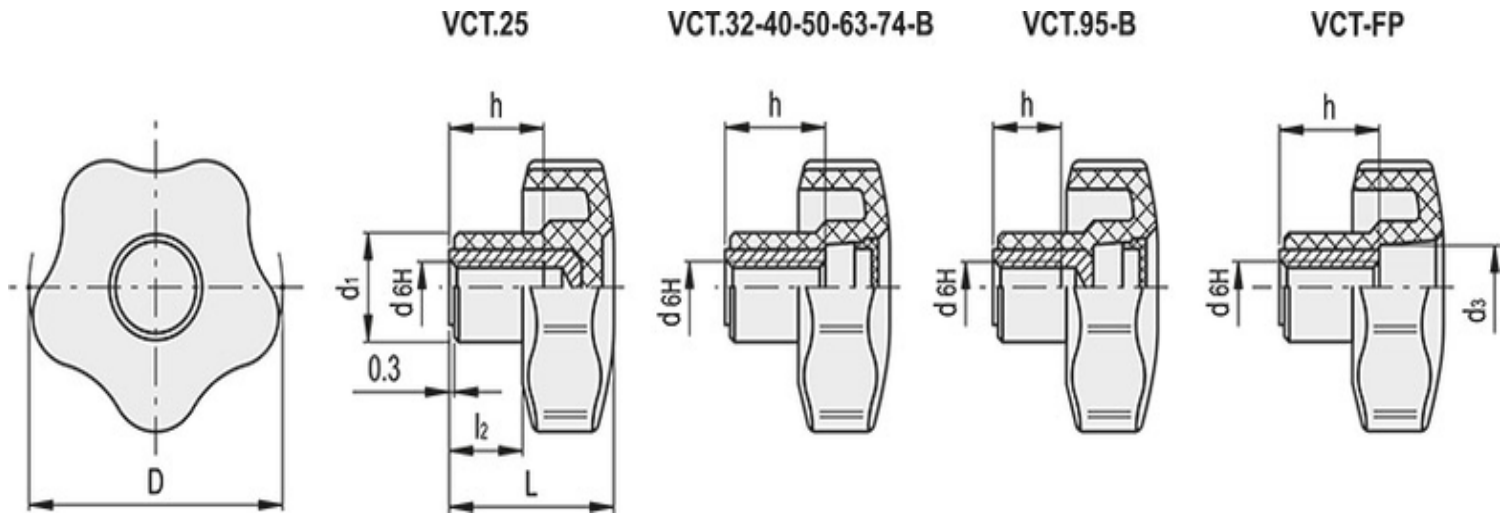
Accessories on request

Coloured centre caps (see table).

VCT-A

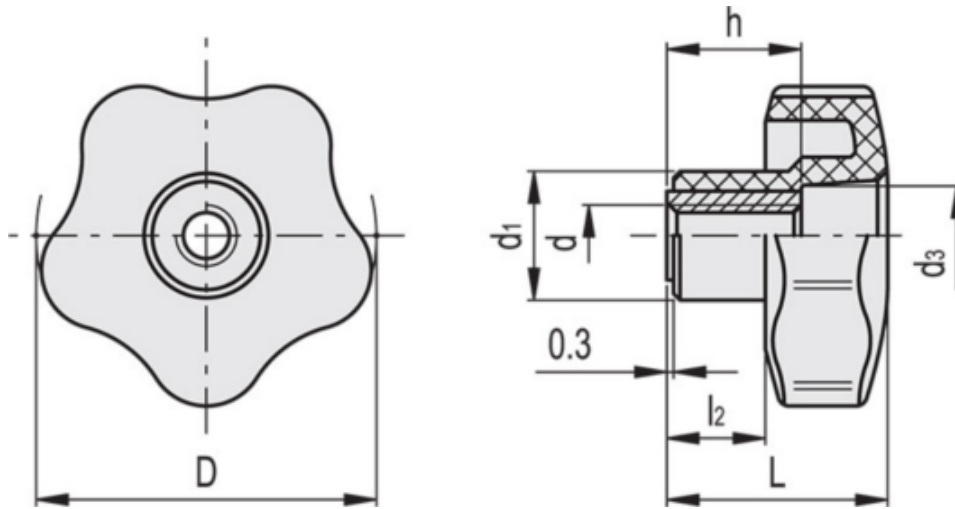


Code	Description	D	d _{H9}	L	d ₁	d ₂	l ₂	h	Weight
69892-C2	VCT.40 A-8-C2	40	8	27	17	12	12	14	36
69892-C3	VCT.40 A-8-C3	40	8	27	17	12	12	14	36
69892-C4	VCT.40 A-8-C4	40	8	27	17	12	12	14	36
69892-C5	VCT.40 A-8-C5	40	8	27	17	12	12	14	36
69892-C6	VCT.40 A-8-C6	40	8	27	17	12	12	14	36
69892-C9	VCT.40 A-8-C9	40	8	27	17	12	12	14	36
69951-C2	VCT.50 A-8-C2	50	8	32	19	12	14	14	37
69951-C3	VCT.50 A-8-C3	50	8	32	19	12	14	14	37
69951-C4	VCT.50 A-8-C4	50	8	32	19	12	14	14	37
69951-C5	VCT.50 A-8-C5	50	8	32	19	12	14	14	37
69951-C6	VCT.50 A-8-C6	50	8	32	19	12	14	14	37
69951-C9	VCT.50 A-8-C9	50	8	32	19	12	14	14	37
69952-C2	VCT.50 A-10-C2	50	10	32	19	15	14	16	34
69952-C3	VCT.50 A-10-C3	50	10	32	19	15	14	16	34
69952-C4	VCT.50 A-10-C4	50	10	32	19	15	14	16	34
69952-C5	VCT.50 A-10-C5	50	10	32	19	15	14	16	34
69952-C6	VCT.50 A-10-C6	50	10	32	19	15	14	16	34
69952-C9	VCT.50 A-10-C9	50	10	32	19	15	14	16	34
70001-C2	VCT.63 A-8-C2	63	8	37	22	15	16	20	52
70001-C3	VCT.63 A-8-C3	63	8	37	22	15	16	20	52
70001-C4	VCT.63 A-8-C4	63	8	37	22	15	16	20	52
70001-C5	VCT.63 A-8-C5	63	8	37	22	15	16	20	52
70001-C6	VCT.63 A-8-C6	63	8	37	22	15	16	20	52
70001-C9	VCT.63 A-8-C9	63	8	37	22	15	16	20	52
70002-C2	VCT.63 A-10-C2	63	10	37	22	16	16	21	49
70002-C3	VCT.63 A-10-C3	63	10	37	22	16	16	21	49
70002-C4	VCT.63 A-10-C4	63	10	37	22	16	16	21	49
70002-C5	VCT.63 A-10-C5	63	10	37	22	16	16	21	49
70002-C6	VCT.63 A-10-C6	63	10	37	22	16	16	21	49
70002-C9	VCT.63 A-10-C9	63	10	37	22	16	16	21	49
70051-C2	VCT.74 A-8-C2	74	8	43.5	26	15	22	20	65
70051-C3	VCT.74 A-8-C3	74	8	43.5	26	15	22	20	65
70051-C4	VCT.74 A-8-C4	74	8	43.5	26	15	22	20	65
70051-C5	VCT.74 A-8-C5	74	8	43.5	26	15	22	20	65
70051-C6	VCT.74 A-8-C6	74	8	43.5	26	15	22	20	65
70051-C9	VCT.74 A-8-C9	74	8	43.5	26	15	22	20	65



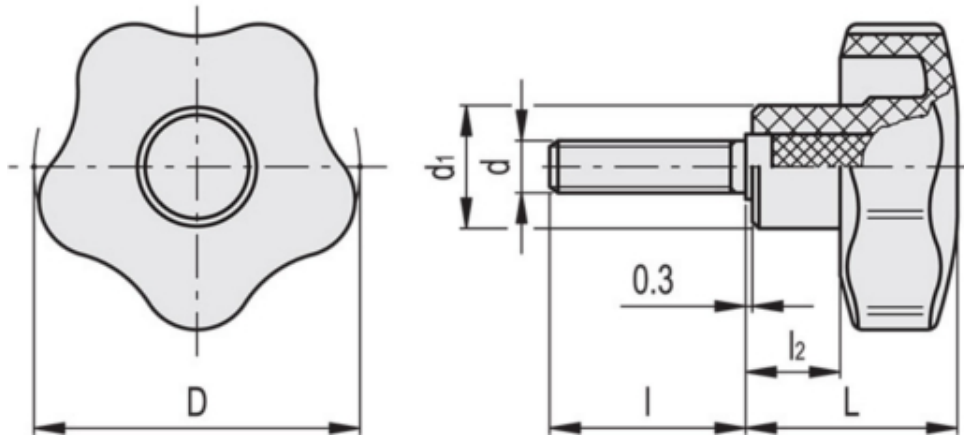
Code	Description	D	d _{6H}	L	d ₁	l ₂	h	C# [Nm]	Weight
69811-C9	VCT.25 B-M4-C9	25	M4	19	13	8	10	6	7
69812-C9	VCT.25 B-M5-C9	25	M5	19	13	8	10	7	6
69813-C9	VCT.25 B-M6-C9	25	M6	19	13	8	10	7	5
69843-C2	VCT.32 B-M5-C2	32	M5	23	15	10	12	10	11
69843-C3	VCT.32 B-M5-C3	32	M5	23	15	10	12	10	11
69843-C4	VCT.32 B-M5-C4	32	M5	23	15	10	12	10	11
69843-C5	VCT.32 B-M5-C5	32	M5	23	15	10	12	10	11
69843-C6	VCT.32 B-M5-C6	32	M5	23	15	10	12	10	11
69843-C9	VCT.32 B-M5-C9	32	M5	23	15	10	12	10	11
69844-C2	VCT.32 B-M6-C2	32	M6	23	15	10	12	10	10
69844-C3	VCT.32 B-M6-C3	32	M6	23	15	10	12	10	10
69844-C4	VCT.32 B-M6-C4	32	M6	23	15	10	12	10	10
69844-C5	VCT.32 B-M6-C5	32	M6	23	15	10	12	10	10
69844-C6	VCT.32 B-M6-C6	32	M6	23	15	10	12	10	10
69844-C9	VCT.32 B-M6-C9	32	M6	23	15	10	12	10	10
69845-C2	VCT.32 B-M8-C2	32	M8	23	15	10	12	10	9
69845-C3	VCT.32 B-M8-C3	32	M8	23	15	10	12	10	9
69845-C4	VCT.32 B-M8-C4	32	M8	23	15	10	12	10	9
69845-C5	VCT.32 B-M8-C5	32	M8	23	15	10	12	10	9
69845-C6	VCT.32 B-M8-C6	32	M8	23	15	10	12	10	9
69845-C9	VCT.32 B-M8-C9	32	M8	23	15	10	12	10	9
69893-C2	VCT.40 B-M6-C2	40	M6	27	17	12	18	16	26
69893-C3	VCT.40 B-M6-C3	40	M6	27	17	12	18	16	26
69893-C4	VCT.40 B-M6-C4	40	M6	27	17	12	18	16	26
69893-C5	VCT.40 B-M6-C5	40	M6	27	17	12	18	16	26
69893-C6	VCT.40 B-M6-C6	40	M6	27	17	12	18	16	26
69893-C9	VCT.40 B-M6-C9	40	M6	27	17	12	18	16	26
69894-C2	VCT.40 B-M8-C2	40	M8	27	17	12	18	18	24
69894-C3	VCT.40 B-M8-C3	40	M8	27	17	12	18	18	24
69894-C4	VCT.40 B-M8-C4	40	M8	27	17	12	18	18	24
69894-C5	VCT.40 B-M8-C5	40	M8	27	17	12	18	18	24
69894-C6	VCT.40 B-M8-C6	40	M8	27	17	12	18	18	24
69894-C9	VCT.40 B-M8-C9	40	M8	27	17	12	18	18	24
69895-C2	VCT.40 B-M10-C2	40	M10	27	17	12	17	18	23
69895-C3	VCT.40 B-M10-C3	40	M10	27	17	12	17	18	23
69895-C4	VCT.40 B-M10-C4	40	M10	27	17	12	17	18	23
69895-C5	VCT.40 B-M10-C5	40	M10	27	17	12	17	18	23
69895-C6	VCT.40 B-M10-C6	40	M10	27	17	12	17	18	23
69895-C9	VCT.40 B-M10-C9	40	M10	27	17	12	17	18	23
69953-C2	VCT.50 B-M8-C2	50	M8	32	19	14	20	25	38
69953-C3	VCT.50 B-M8-C3	50	M8	32	19	14	20	25	38
69953-C4	VCT.50 B-M8-C4	50	M8	32	19	14	20	25	38
69953-C5	VCT.50 B-M8-C5	50	M8	32	19	14	20	25	38
69953-C6	VCT.50 B-M8-C6	50	M8	32	19	14	20	25	38
69953-C9	VCT.50 B-M8-C9	50	M8	32	19	14	20	25	38
69954-C2	VCT.50 B-M10-C2	50	M10	32	19	14	20	27	34
69954-C3	VCT.50 B-M10-C3	50	M10	32	19	14	20	27	34
69954-C4	VCT.50 B-M10-C4	50	M10	32	19	14	20	27	34
69954-C5	VCT.50 B-M10-C5	50	M10	32	19	14	20	27	34
69954-C6	VCT.50 B-M10-C6	50	M10	32	19	14	20	27	34
69954-C9	VCT.50 B-M10-C9	50	M10	32	19	14	20	27	34
69955-C2	VCT.50 B-M12-C2	50	M12	32	19	14	20	27	30
69955-C3	VCT.50 B-M12-C3	50	M12	32	19	14	20	27	30
69955-C4	VCT.50 B-M12-C4	50	M12	32	19	14	20	27	30
69955-C5	VCT.50 B-M12-C5	50	M12	32	19	14	20	27	30
69955-C6	VCT.50 B-M12-C6	50	M12	32	19	14	20	27	30
69955-C9	VCT.50 B-M12-C9	50	M12	32	19	14	20	27	30
70012-C2	VCT.63 B-M8-C2	63	M8	37	22	16	26	48	45
70012-C3	VCT.63 B-M8-C3	63	M8	37	22	16	26	48	45
70012-C4	VCT.63 B-M8-C4	63	M8	37	22	16	26	48	45
70012-C5	VCT.63 B-M8-C5	63	M8	37	22	16	26	48	45
70012-C6	VCT.63 B-M8-C6	63	M8	37	22	16	26	48	45
70012-C9	VCT.63 B-M8-C9	63	M8	37	22	16	26	48	45

70013-C2	VCT.63 B-M10-C2	63	M10	37	22	16	26	50	42
70013-C3	VCT.63 B-M10-C3	63	M10	37	22	16	26	50	42
70013-C4	VCT.63 B-M10-C4	63	M10	37	22	16	26	50	42
70013-C5	VCT.63 B-M10-C5	63	M10	37	22	16	26	50	42
70013-C6	VCT.63 B-M10-C6	63	M10	37	22	16	26	50	42
70013-C9	VCT.63 B-M10-C9	63	M10	37	22	16	26	50	42
70014-C2	VCT.63 B-M12-C2	63	M12	37	22	16	26	50	40
70014-C3	VCT.63 B-M12-C3	63	M12	37	22	16	26	50	40
70014-C4	VCT.63 B-M12-C4	63	M12	37	22	16	26	50	40
70014-C5	VCT.63 B-M12-C5	63	M12	37	22	16	26	50	40
70014-C6	VCT.63 B-M12-C6	63	M12	37	22	16	26	50	40
70014-C9	VCT.63 B-M12-C9	63	M12	37	22	16	26	50	40
70062-C2	VCT.74 B-M12-C2	74	M12	43.5	26	22	26	60	57
70062-C3	VCT.74 B-M12-C3	74	M12	43.5	26	22	26	60	57
70062-C4	VCT.74 B-M12-C4	74	M12	43.5	26	22	26	60	57
70062-C5	VCT.74 B-M12-C5	74	M12	43.5	26	22	26	60	57
70062-C6	VCT.74 B-M12-C6	74	M12	43.5	26	22	26	60	57
70062-C9	VCT.74 B-M12-C9	74	M12	43.5	26	22	26	60	57
70063-C2	VCT.74 B-M14-C2	74	M14	43.5	26	22	26	65	53
70063-C3	VCT.74 B-M14-C3	74	M14	43.5	26	22	26	65	53
70063-C4	VCT.74 B-M14-C4	74	M14	43.5	26	22	26	65	53
70063-C5	VCT.74 B-M14-C5	74	M14	43.5	26	22	26	65	53
70063-C6	VCT.74 B-M14-C6	74	M14	43.5	26	22	26	65	53
70063-C9	VCT.74 B-M14-C9	74	M14	43.5	26	22	26	65	53
70064-C2	VCT.74 B-M16-C2	74	M16	43.5	26	22	31	69	55
70064-C3	VCT.74 B-M16-C3	74	M16	43.5	26	22	31	69	55
70064-C4	VCT.74 B-M16-C4	74	M16	43.5	26	22	31	69	55
70064-C5	VCT.74 B-M16-C5	74	M16	43.5	26	22	31	69	55
70064-C6	VCT.74 B-M16-C6	74	M16	43.5	26	22	31	69	55
70064-C9	VCT.74 B-M16-C9	74	M16	43.5	26	22	31	69	55
70097-C2	VCT.95 B-M16-C2	95	M16	46	32	21	22	100	109
70097-C3	VCT.95 B-M16-C3	95	M16	46	32	21	22	100	109
70097-C4	VCT.95 B-M16-C4	95	M16	46	32	21	22	100	109
70097-C5	VCT.95 B-M16-C5	95	M16	46	32	21	22	100	109
70097-C6	VCT.95 B-M16-C6	95	M16	46	32	21	22	100	109
70097-C9	VCT.95 B-M16-C9	95	M16	46	32	21	22	100	109



Code	Description	D	d _{6H}	L	d ₁	d ₃	l ₂	h	Weight
69847	VCT.32 FP-M5	32	M5	23	15	10	10	12	11
69848	VCT.32 FP-M6	32	M6	23	15	10	10	12	10
69849	VCT.32 FP-M8	32	M8	23	15	10	10	12	9
69897	VCT.40 FP-M6	40	M6	27	17	12	12	18	26
69898	VCT.40 FP-M8	40	M8	27	17	12	12	18	24
69899	VCT.40 FP-M10	40	M10	27	17	12	12	17	23
69956	VCT.50 FP-M8	50	M8	32	19	15	14	20	38
69957	VCT.50 FP-M10	50	M10	32	19	15	14	20	34
69958	VCT.50 FP-M12	50	M12	32	19	15	14	20	30
70016	VCT.63 FP-M8	63	M8	37	22	19	16	26	44
70017	VCT.63 FP-M10	63	M10	37	22	19	16	26	42
70018	VCT.63 FP-M12	63	M12	37	22	19	16	26	40
70067	VCT.74 FP-M12	74	M12	43.5	26	17	22	26	56
70068	VCT.74 FP-M14	74	M14	43.5	26	17	22	26	52
70069	VCT.74 FP-M16	74	M16	43.5	26	17	22	31	54

VCT-p



Code	Description	D	d _{6g}	L	d ₁	l	l ₂	C# [Nm]	Weight
69816-C9	VCT.25 p-M4x6-C9	25	M4	19	13	6	8	5	5
69817-C9	VCT.25 p-M4x10-C9	25	M4	19	13	10	8	5	6
69821-C9	VCT.25 p-M5x10-C9	25	M5	19	13	10	8	6	7
69822-C9	VCT.25 p-M5x16-C9	25	M5	19	13	16	8	6	8
69823-C9	VCT.25 p-M5x20-C9	25	M5	19	13	20	8	6	9
69824-C9	VCT.25 p-M5x25-C9	25	M5	19	13	25	8	6	10
69825-C9	VCT.25 p-M5x30-C9	25	M5	19	13	30	8	6	12
69826-C9	VCT.25 p-M5x40-C9	25	M5	19	13	40	8	6	14
69831-C9	VCT.25 p-M6x10-C9	25	M6	19	13	10	8	6	8
69832-C9	VCT.25 p-M6x16-C9	25	M6	19	13	16	8	6	9
69833-C9	VCT.25 p-M6x20-C9	25	M6	19	13	20	8	6	10
69835-C9	VCT.25 p-M6x25-C9	25	M6	19	13	25	8	6	11
69834-C9	VCT.25 p-M6x30-C9	25	M6	19	13	30	8	6	13
69836-C9	VCT.25 p-M6x40-C9	25	M6	19	13	40	8	6	15
69872-C2	VCT.32 p-M5x20-C2	32	M5	23	15	20	10	6	13
69872-C3	VCT.32 p-M5x20-C3	32	M5	23	15	20	10	6	13
69872-C4	VCT.32 p-M5x20-C4	32	M5	23	15	20	10	6	13
69872-C5	VCT.32 p-M5x20-C5	32	M5	23	15	20	10	6	13
69872-C6	VCT.32 p-M5x20-C6	32	M5	23	15	20	10	6	13
69872-C9	VCT.32 p-M5x20-C9	32	M5	23	15	20	10	6	13
69851-C2	VCT.32 p-M6x16-C2	32	M6	23	15	16	10	8	13
69851-C3	VCT.32 p-M6x16-C3	32	M6	23	15	16	10	8	13
69851-C4	VCT.32 p-M6x16-C4	32	M6	23	15	16	10	8	13
69851-C5	VCT.32 p-M6x16-C5	32	M6	23	15	16	10	8	13
69851-C6	VCT.32 p-M6x16-C6	32	M6	23	15	16	10	8	13
69851-C9	VCT.32 p-M6x16-C9	32	M6	23	15	16	10	8	13
69852-C2	VCT.32 p-M6x20-C2	32	M6	23	15	20	10	8	14
69852-C3	VCT.32 p-M6x20-C3	32	M6	23	15	20	10	8	14
69852-C4	VCT.32 p-M6x20-C4	32	M6	23	15	20	10	8	14
69852-C5	VCT.32 p-M6x20-C5	32	M6	23	15	20	10	8	14
69852-C6	VCT.32 p-M6x20-C6	32	M6	23	15	20	10	8	14
69852-C9	VCT.32 p-M6x20-C9	32	M6	23	15	20	10	8	14
69853-C2	VCT.32 p-M6x25-C2	32	M6	23	15	25	10	8	15
69853-C3	VCT.32 p-M6x25-C3	32	M6	23	15	25	10	8	15
69853-C4	VCT.32 p-M6x25-C4	32	M6	23	15	25	10	8	15
69853-C5	VCT.32 p-M6x25-C5	32	M6	23	15	25	10	8	15
69853-C6	VCT.32 p-M6x25-C6	32	M6	23	15	25	10	8	15
69853-C9	VCT.32 p-M6x25-C9	32	M6	23	15	25	10	8	15
69854-C2	VCT.32 p-M6x30-C2	32	M6	23	15	30	10	8	16
69854-C3	VCT.32 p-M6x30-C3	32	M6	23	15	30	10	8	16
69854-C4	VCT.32 p-M6x30-C4	32	M6	23	15	30	10	8	16
69854-C5	VCT.32 p-M6x30-C5	32	M6	23	15	30	10	8	16
69854-C6	VCT.32 p-M6x30-C6	32	M6	23	15	30	10	8	16
69854-C9	VCT.32 p-M6x30-C9	32	M6	23	15	30	10	8	16
69856-C2	VCT.32 p-M6x40-C2	32	M6	23	15	40	10	8	18
69856-C3	VCT.32 p-M6x40-C3	32	M6	23	15	40	10	8	18
69856-C4	VCT.32 p-M6x40-C4	32	M6	23	15	40	10	8	18
69856-C5	VCT.32 p-M6x40-C5	32	M6	23	15	40	10	8	18
69856-C6	VCT.32 p-M6x40-C6	32	M6	23	15	40	10	8	18
69856-C9	VCT.32 p-M6x40-C9	32	M6	23	15	40	10	8	18
69858-C2	VCT.32 p-M6x50-C2	32	M6	23	15	50	10	8	20
69858-C3	VCT.32 p-M6x50-C3	32	M6	23	15	50	10	8	20
69858-C4	VCT.32 p-M6x50-C4	32	M6	23	15	50	10	8	20
69858-C5	VCT.32 p-M6x50-C5	32	M6	23	15	50	10	8	20
69858-C6	VCT.32 p-M6x50-C6	32	M6	23	15	50	10	8	20
69858-C9	VCT.32 p-M6x50-C9	32	M6	23	15	50	10	8	20
69859-C2	VCT.32 p-M8x16-C2	32	M8	23	15	16	10	8	14
69859-C3	VCT.32 p-M8x16-C3	32	M8	23	15	16	10	8	14
69859-C4	VCT.32 p-M8x16-C4	32	M8	23	15	16	10	8	14
69859-C5	VCT.32 p-M8x16-C5	32	M8	23	15	16	10	8	14
69859-C6	VCT.32 p-M8x16-C6	32	M8	23	15	16	10	8	14
69859-C9	VCT.32 p-M8x16-C9	32	M8	23	15	16	10	8	14
69861-C2	VCT.32 p-M8x20-C2	32	M8	23	15	20	10	8	18

69861-C3	VCT.32 p-M8x20-C3	32	M8	23	15	20	10	8	18
69861-C4	VCT.32 p-M8x20-C4	32	M8	23	15	20	10	8	18
69861-C5	VCT.32 p-M8x20-C5	32	M8	23	15	20	10	8	18
69861-C6	VCT.32 p-M8x20-C6	32	M8	23	15	20	10	8	18
69861-C9	VCT.32 p-M8x20-C9	32	M8	23	15	20	10	8	18
69863-C2	VCT.32 p-M8x30-C2	32	M8	23	15	30	10	8	21
69863-C3	VCT.32 p-M8x30-C3	32	M8	23	15	30	10	8	21
69863-C4	VCT.32 p-M8x30-C4	32	M8	23	15	30	10	8	21
69863-C5	VCT.32 p-M8x30-C5	32	M8	23	15	30	10	8	21
69863-C6	VCT.32 p-M8x30-C6	32	M8	23	15	30	10	8	21
69863-C9	VCT.32 p-M8x30-C9	32	M8	23	15	30	10	8	21
69865-C2	VCT.32 p-M8x40-C2	32	M8	23	15	40	10	8	24
69865-C3	VCT.32 p-M8x40-C3	32	M8	23	15	40	10	8	24
69865-C4	VCT.32 p-M8x40-C4	32	M8	23	15	40	10	8	24
69865-C5	VCT.32 p-M8x40-C5	32	M8	23	15	40	10	8	24
69865-C6	VCT.32 p-M8x40-C6	32	M8	23	15	40	10	8	24
69865-C9	VCT.32 p-M8x40-C9	32	M8	23	15	40	10	8	24
69867-C2	VCT.32 p-M8x50-C2	32	M8	23	15	50	10	8	26
69867-C3	VCT.32 p-M8x50-C3	32	M8	23	15	50	10	8	26
69867-C4	VCT.32 p-M8x50-C4	32	M8	23	15	50	10	8	26
69867-C5	VCT.32 p-M8x50-C5	32	M8	23	15	50	10	8	26
69867-C6	VCT.32 p-M8x50-C6	32	M8	23	15	50	10	8	26
69867-C9	VCT.32 p-M8x50-C9	32	M8	23	15	50	10	8	26
69901-C2	VCT.40 p-M6x20-C2	40	M6	27	17	20	12	13	18
69901-C3	VCT.40 p-M6x20-C3	40	M6	27	17	20	12	13	18
69901-C4	VCT.40 p-M6x20-C4	40	M6	27	17	20	12	13	18
69901-C5	VCT.40 p-M6x20-C5	40	M6	27	17	20	12	13	18
69901-C6	VCT.40 p-M6x20-C6	40	M6	27	17	20	12	13	18
69901-C9	VCT.40 p-M6x20-C9	40	M6	27	17	20	12	13	18
69902-C2	VCT.40 p-M6x25-C2	40	M6	27	17	25	12	13	19
69902-C3	VCT.40 p-M6x25-C3	40	M6	27	17	25	12	13	19
69902-C4	VCT.40 p-M6x25-C4	40	M6	27	17	25	12	13	19
69902-C5	VCT.40 p-M6x25-C5	40	M6	27	17	25	12	13	19
69902-C6	VCT.40 p-M6x25-C6	40	M6	27	17	25	12	13	19
69902-C9	VCT.40 p-M6x25-C9	40	M6	27	17	25	12	13	19
69903-C2	VCT.40 p-M6x30-C2	40	M6	27	17	30	12	13	20
69903-C3	VCT.40 p-M6x30-C3	40	M6	27	17	30	12	13	20
69903-C4	VCT.40 p-M6x30-C4	40	M6	27	17	30	12	13	20
69903-C5	VCT.40 p-M6x30-C5	40	M6	27	17	30	12	13	20
69903-C6	VCT.40 p-M6x30-C6	40	M6	27	17	30	12	13	20
69903-C9	VCT.40 p-M6x30-C9	40	M6	27	17	30	12	13	20
69911-C2	VCT.40 p-M8x16-C2	40	M8	27	17	16	12	16	23
69911-C3	VCT.40 p-M8x16-C3	40	M8	27	17	16	12	16	23
69911-C4	VCT.40 p-M8x16-C4	40	M8	27	17	16	12	16	23
69911-C5	VCT.40 p-M8x16-C5	40	M8	27	17	16	12	16	23
69911-C6	VCT.40 p-M8x16-C6	40	M8	27	17	16	12	16	23
69911-C9	VCT.40 p-M8x16-C9	40	M8	27	17	16	12	16	23
69912-C2	VCT.40 p-M8x20-C2	40	M8	27	17	20	12	16	24
69912-C3	VCT.40 p-M8x20-C3	40	M8	27	17	20	12	16	24
69912-C4	VCT.40 p-M8x20-C4	40	M8	27	17	20	12	16	24
69912-C5	VCT.40 p-M8x20-C5	40	M8	27	17	20	12	16	24
69912-C6	VCT.40 p-M8x20-C6	40	M8	27	17	20	12	16	24
69912-C9	VCT.40 p-M8x20-C9	40	M8	27	17	20	12	16	24
69913-C2	VCT.40 p-M8x25-C2	40	M8	27	17	25	12	16	26
69913-C3	VCT.40 p-M8x25-C3	40	M8	27	17	25	12	16	26
69913-C4	VCT.40 p-M8x25-C4	40	M8	27	17	25	12	16	26
69913-C5	VCT.40 p-M8x25-C5	40	M8	27	17	25	12	16	26
69913-C6	VCT.40 p-M8x25-C6	40	M8	27	17	25	12	16	26
69913-C9	VCT.40 p-M8x25-C9	40	M8	27	17	25	12	16	26
69914-C2	VCT.40 p-M8x30-C2	40	M8	27	17	30	12	16	27
69914-C3	VCT.40 p-M8x30-C3	40	M8	27	17	30	12	16	27
69914-C4	VCT.40 p-M8x30-C4	40	M8	27	17	30	12	16	27
69914-C5	VCT.40 p-M8x30-C5	40	M8	27	17	30	12	16	27
69914-C6	VCT.40 p-M8x30-C6	40	M8	27	17	30	12	16	27
69914-C9	VCT.40 p-M8x30-C9	40	M8	27	17	30	12	16	27
69915-C2	VCT.40 p-M8x35-C2	40	M8	27	17	35	12	16	28
69915-C3	VCT.40 p-M8x35-C3	40	M8	27	17	35	12	16	28
69915-C4	VCT.40 p-M8x35-C4	40	M8	27	17	35	12	16	28
69915-C5	VCT.40 p-M8x35-C5	40	M8	27	17	35	12	16	28
69915-C6	VCT.40 p-M8x35-C6	40	M8	27	17	35	12	16	28
69915-C9	VCT.40 p-M8x35-C9	40	M8	27	17	35	12	16	28
69916-C2	VCT.40 p-M8x40-C2	40	M8	27	17	40	12	16	30
69916-C3	VCT.40 p-M8x40-C3	40	M8	27	17	40	12	16	30
69916-C4	VCT.40 p-M8x40-C4	40	M8	27	17	40	12	16	30
69916-C5	VCT.40 p-M8x40-C5	40	M8	27	17	40	12	16	30
69916-C6	VCT.40 p-M8x40-C6	40	M8	27	17	40	12	16	30
69916-C9	VCT.40 p-M8x40-C9	40	M8	27	17	40	12	16	30
69917-C2	VCT.40 p-M8x45-C2	40	M8	27	17	45	12	16	32
69917-C3	VCT.40 p-M8x45-C3	40	M8	27	17	45	12	16	32
69917-C4	VCT.40 p-M8x45-C4	40	M8	27	17	45	12	16	32
69917-C5	VCT.40 p-M8x45-C5	40	M8	27	17	45	12	16	32
69917-C6	VCT.40 p-M8x45-C6	40	M8	27	17	45	12	16	32
69917-C9	VCT.40 p-M8x45-C9	40	M8	27	17	45	12	16	32
69918-C2	VCT.40 p-M8x50-C2	40	M8	27	17	50	12	16	35
69918-C3	VCT.40 p-M8x50-C3	40	M8	27	17	50	12	16	35
69918-C4	VCT.40 p-M8x50-C4	40	M8	27	17	50	12	16	35
69918-C5	VCT.40 p-M8x50-C5	40	M8	27	17	50	12	16	35
69918-C6	VCT.40 p-M8x50-C6	40	M8	27	17	50	12	16	35
69918-C9	VCT.40 p-M8x50-C9	40	M8	27	17	50	12	16	35
69919-C2	VCT.40 p-M8x55-C2	40	M8	27	17	55	12	16	36
69919-C3	VCT.40 p-M8x55-C3	40	M8	27	17	55	12	16	36
69919-C4	VCT.40 p-M8x55-C4	40	M8	27	17	55	12	16	36
69919-C5	VCT.40 p-M8x55-C5	40	M8	27	17	55	12	16	36
69919-C6	VCT.40 p-M8x55-C6	40	M8	27	17	55	12	16	36
69919-C9	VCT.40 p-M8x55-C9	40	M8	27	17	55	12	16	36

69931-C2	VCT.40 p-M10x20-C2	40	M10	27	17	20	12	18	26
69931-C3	VCT.40 p-M10x20-C3	40	M10	27	17	20	12	18	26
69931-C4	VCT.40 p-M10x20-C4	40	M10	27	17	20	12	18	26
69931-C5	VCT.40 p-M10x20-C5	40	M10	27	17	20	12	18	26
69931-C6	VCT.40 p-M10x20-C6	40	M10	27	17	20	12	18	26
69931-C9	VCT.40 p-M10x20-C9	40	M10	27	17	20	12	18	26
69933-C2	VCT.40 p-M10x25-C2	40	M10	27	17	25	12	18	28
69933-C3	VCT.40 p-M10x25-C3	40	M10	27	17	25	12	18	28
69933-C4	VCT.40 p-M10x25-C4	40	M10	27	17	25	12	18	28
69933-C5	VCT.40 p-M10x25-C5	40	M10	27	17	25	12	18	28
69933-C6	VCT.40 p-M10x25-C6	40	M10	27	17	25	12	18	28
69933-C9	VCT.40 p-M10x25-C9	40	M10	27	17	25	12	18	28
69935-C2	VCT.40 p-M10x30-C2	40	M10	27	17	30	12	18	30
69935-C3	VCT.40 p-M10x30-C3	40	M10	27	17	30	12	18	30
69935-C4	VCT.40 p-M10x30-C4	40	M10	27	17	30	12	18	30
69935-C5	VCT.40 p-M10x30-C5	40	M10	27	17	30	12	18	30
69935-C6	VCT.40 p-M10x30-C6	40	M10	27	17	30	12	18	30
69935-C9	VCT.40 p-M10x30-C9	40	M10	27	17	30	12	18	30
69937-C2	VCT.40 p-M10x40-C2	40	M10	27	17	40	12	18	32
69937-C3	VCT.40 p-M10x40-C3	40	M10	27	17	40	12	18	32
69937-C4	VCT.40 p-M10x40-C4	40	M10	27	17	40	12	18	32
69937-C5	VCT.40 p-M10x40-C5	40	M10	27	17	40	12	18	32
69937-C6	VCT.40 p-M10x40-C6	40	M10	27	17	40	12	18	32
69937-C9	VCT.40 p-M10x40-C9	40	M10	27	17	40	12	18	32
69939-C2	VCT.40 p-M10x50-C2	40	M10	27	17	50	12	18	34
69939-C3	VCT.40 p-M10x50-C3	40	M10	27	17	50	12	18	34
69939-C4	VCT.40 p-M10x50-C4	40	M10	27	17	50	12	18	34
69939-C5	VCT.40 p-M10x50-C5	40	M10	27	17	50	12	18	34
69939-C6	VCT.40 p-M10x50-C6	40	M10	27	17	50	12	18	34
69939-C9	VCT.40 p-M10x50-C9	40	M10	27	17	50	12	18	34
69960-C2	VCT.50 p-M8x16-C2	50	M8	32	19	16	14	16	26
69960-C3	VCT.50 p-M8x16-C3	50	M8	32	19	16	14	16	26
69960-C4	VCT.50 p-M8x16-C4	50	M8	32	19	16	14	16	26
69960-C5	VCT.50 p-M8x16-C5	50	M8	32	19	16	14	16	26
69960-C6	VCT.50 p-M8x16-C6	50	M8	32	19	16	14	16	26
69960-C9	VCT.50 p-M8x16-C9	50	M8	32	19	16	14	16	26
69961-C2	VCT.50 p-M8x20-C2	50	M8	32	19	20	14	16	28
69961-C3	VCT.50 p-M8x20-C3	50	M8	32	19	20	14	16	28
69961-C4	VCT.50 p-M8x20-C4	50	M8	32	19	20	14	16	28
69961-C5	VCT.50 p-M8x20-C5	50	M8	32	19	20	14	16	28
69961-C6	VCT.50 p-M8x20-C6	50	M8	32	19	20	14	16	28
69961-C9	VCT.50 p-M8x20-C9	50	M8	32	19	20	14	16	28
69962-C2	VCT.50 p-M8x25-C2	50	M8	32	19	25	14	16	30
69962-C3	VCT.50 p-M8x25-C3	50	M8	32	19	25	14	16	30
69962-C4	VCT.50 p-M8x25-C4	50	M8	32	19	25	14	16	30
69962-C5	VCT.50 p-M8x25-C5	50	M8	32	19	25	14	16	30
69962-C6	VCT.50 p-M8x25-C6	50	M8	32	19	25	14	16	30
69962-C9	VCT.50 p-M8x25-C9	50	M8	32	19	25	14	16	30
69963-C2	VCT.50 p-M8x30-C2	50	M8	32	19	30	14	16	31
69963-C3	VCT.50 p-M8x30-C3	50	M8	32	19	30	14	16	31
69963-C4	VCT.50 p-M8x30-C4	50	M8	32	19	30	14	16	31
69963-C5	VCT.50 p-M8x30-C5	50	M8	32	19	30	14	16	31
69963-C6	VCT.50 p-M8x30-C6	50	M8	32	19	30	14	16	31
69963-C9	VCT.50 p-M8x30-C9	50	M8	32	19	30	14	16	31
69965-C2	VCT.50 p-M8x40-C2	50	M8	32	19	40	14	16	33
69965-C3	VCT.50 p-M8x40-C3	50	M8	32	19	40	14	16	33
69965-C4	VCT.50 p-M8x40-C4	50	M8	32	19	40	14	16	33
69965-C5	VCT.50 p-M8x40-C5	50	M8	32	19	40	14	16	33
69965-C6	VCT.50 p-M8x40-C6	50	M8	32	19	40	14	16	33
69965-C9	VCT.50 p-M8x40-C9	50	M8	32	19	40	14	16	33
69967-C2	VCT.50 p-M8x50-C2	50	M8	32	19	50	14	16	35
69967-C3	VCT.50 p-M8x50-C3	50	M8	32	19	50	14	16	35
69967-C4	VCT.50 p-M8x50-C4	50	M8	32	19	50	14	16	35
69967-C5	VCT.50 p-M8x50-C5	50	M8	32	19	50	14	16	35
69967-C6	VCT.50 p-M8x50-C6	50	M8	32	19	50	14	16	35
69967-C9	VCT.50 p-M8x50-C9	50	M8	32	19	50	14	16	35
69971-C2	VCT.50 p-M10x20-C2	50	M10	32	19	20	14	23	36
69971-C3	VCT.50 p-M10x20-C3	50	M10	32	19	20	14	23	36
69971-C4	VCT.50 p-M10x20-C4	50	M10	32	19	20	14	23	36
69971-C5	VCT.50 p-M10x20-C5	50	M10	32	19	20	14	23	36
69971-C6	VCT.50 p-M10x20-C6	50	M10	32	19	20	14	23	36
69971-C9	VCT.50 p-M10x20-C9	50	M10	32	19	20	14	23	36
69972-C2	VCT.50 p-M10x25-C2	50	M10	32	19	25	14	23	39
69972-C3	VCT.50 p-M10x25-C3	50	M10	32	19	25	14	23	39
69972-C4	VCT.50 p-M10x25-C4	50	M10	32	19	25	14	23	39
69972-C5	VCT.50 p-M10x25-C5	50	M10	32	19	25	14	23	39
69972-C6	VCT.50 p-M10x25-C6	50	M10	32	19	25	14	23	39
69972-C9	VCT.50 p-M10x25-C9	50	M10	32	19	25	14	23	39
69973-C2	VCT.50 p-M10x30-C2	50	M10	32	19	30	14	23	41
69973-C3	VCT.50 p-M10x30-C3	50	M10	32	19	30	14	23	41
69973-C4	VCT.50 p-M10x30-C4	50	M10	32	19	30	14	23	41
69973-C5	VCT.50 p-M10x30-C5	50	M10	32	19	30	14	23	41
69973-C6	VCT.50 p-M10x30-C6	50	M10	32	19	30	14	23	41
69973-C9	VCT.50 p-M10x30-C9	50	M10	32	19	30	14	23	41
69975-C2	VCT.50 p-M10x40-C2	50	M10	32	19	40	14	23	46
69975-C3	VCT.50 p-M10x40-C3	50	M10	32	19	40	14	23	46
69975-C4	VCT.50 p-M10x40-C4	50	M10	32	19	40	14	23	46
69975-C5	VCT.50 p-M10x40-C5	50	M10	32	19	40	14	23	46
69975-C6	VCT.50 p-M10x40-C6	50	M10	32	19	40	14	23	46
69975-C9	VCT.50 p-M10x40-C9	50	M10	32	19	40	14	23	46
69977-C2	VCT.50 p-M10x50-C2	50	M10	32	19	50	14	23	51
69977-C3	VCT.50 p-M10x50-C3	50	M10	32	19	50	14	23	51
69977-C4	VCT.50 p-M10x50-C4	50	M10	32	19	50	14	23	51
69977-C5	VCT.50 p-M10x50-C5	50	M10	32	19	50	14	23	51
69977-C6	VCT.50 p-M10x50-C6	50	M10	32	19	50	14	23	51

69977-C9	VCT.50 p-M10x50-C9	50	M10	32	19	50	14	23	51
69979-C2	VCT.50 p-M10x60-C2	50	M10	32	19	60	14	23	55
69979-C3	VCT.50 p-M10x60-C3	50	M10	32	19	60	14	23	55
69979-C4	VCT.50 p-M10x60-C4	50	M10	32	19	60	14	23	55
69979-C5	VCT.50 p-M10x60-C5	50	M10	32	19	60	14	23	55
69979-C6	VCT.50 p-M10x60-C6	50	M10	32	19	60	14	23	55
69979-C9	VCT.50 p-M10x60-C9	50	M10	32	19	60	14	23	55
69981-C2	VCT.50 p-M12x20-C2	50	M12	32	19	20	14	25	39
69981-C3	VCT.50 p-M12x20-C3	50	M12	32	19	20	14	25	39
69981-C4	VCT.50 p-M12x20-C4	50	M12	32	19	20	14	25	39
69981-C5	VCT.50 p-M12x20-C5	50	M12	32	19	20	14	25	39
69981-C6	VCT.50 p-M12x20-C6	50	M12	32	19	20	14	25	39
69981-C9	VCT.50 p-M12x20-C9	50	M12	32	19	20	14	25	39
69983-C2	VCT.50 p-M12x30-C2	50	M12	32	19	30	14	25	44
69983-C3	VCT.50 p-M12x30-C3	50	M12	32	19	30	14	25	44
69983-C4	VCT.50 p-M12x30-C4	50	M12	32	19	30	14	25	44
69983-C5	VCT.50 p-M12x30-C5	50	M12	32	19	30	14	25	44
69983-C6	VCT.50 p-M12x30-C6	50	M12	32	19	30	14	25	44
69983-C9	VCT.50 p-M12x30-C9	50	M12	32	19	30	14	25	44
69985-C2	VCT.50 p-M12x40-C2	50	M12	32	19	40	14	25	49
69985-C3	VCT.50 p-M12x40-C3	50	M12	32	19	40	14	25	49
69985-C4	VCT.50 p-M12x40-C4	50	M12	32	19	40	14	25	49
69985-C5	VCT.50 p-M12x40-C5	50	M12	32	19	40	14	25	49
69985-C6	VCT.50 p-M12x40-C6	50	M12	32	19	40	14	25	49
69985-C9	VCT.50 p-M12x40-C9	50	M12	32	19	40	14	25	49
69987-C2	VCT.50 p-M12x50-C2	50	M12	32	19	50	14	25	54
69987-C3	VCT.50 p-M12x50-C3	50	M12	32	19	50	14	25	54
69987-C4	VCT.50 p-M12x50-C4	50	M12	32	19	50	14	25	54
69987-C5	VCT.50 p-M12x50-C5	50	M12	32	19	50	14	25	54
69987-C6	VCT.50 p-M12x50-C6	50	M12	32	19	50	14	25	54
69987-C9	VCT.50 p-M12x50-C9	50	M12	32	19	50	14	25	54
69989-C2	VCT.50 p-M12x60-C2	50	M12	32	19	60	14	25	59
69989-C3	VCT.50 p-M12x60-C3	50	M12	32	19	60	14	25	59
69989-C4	VCT.50 p-M12x60-C4	50	M12	32	19	60	14	25	59
69989-C5	VCT.50 p-M12x60-C5	50	M12	32	19	60	14	25	59
69989-C6	VCT.50 p-M12x60-C6	50	M12	32	19	60	14	25	59
69989-C9	VCT.50 p-M12x60-C9	50	M12	32	19	60	14	25	59
70021-C2	VCT.63 p-M10x20-C2	63	M10	37	22	20	16	37	54
70021-C3	VCT.63 p-M10x20-C3	63	M10	37	22	20	16	37	54
70021-C4	VCT.63 p-M10x20-C4	63	M10	37	22	20	16	37	54
70021-C5	VCT.63 p-M10x20-C5	63	M10	37	22	20	16	37	54
70021-C6	VCT.63 p-M10x20-C6	63	M10	37	22	20	16	37	54
70021-C9	VCT.63 p-M10x20-C9	63	M10	37	22	20	16	37	54
70023-C2	VCT.63 p-M10x30-C2	63	M10	37	22	30	16	37	59
70023-C3	VCT.63 p-M10x30-C3	63	M10	37	22	30	16	37	59
70023-C4	VCT.63 p-M10x30-C4	63	M10	37	22	30	16	37	59
70023-C5	VCT.63 p-M10x30-C5	63	M10	37	22	30	16	37	59
70023-C6	VCT.63 p-M10x30-C6	63	M10	37	22	30	16	37	59
70023-C9	VCT.63 p-M10x30-C9	63	M10	37	22	30	16	37	59
70025-C2	VCT.63 p-M10x40-C2	63	M10	37	22	40	16	37	64
70025-C3	VCT.63 p-M10x40-C3	63	M10	37	22	40	16	37	64
70025-C4	VCT.63 p-M10x40-C4	63	M10	37	22	40	16	37	64
70025-C5	VCT.63 p-M10x40-C5	63	M10	37	22	40	16	37	64
70025-C6	VCT.63 p-M10x40-C6	63	M10	37	22	40	16	37	64
70025-C9	VCT.63 p-M10x40-C9	63	M10	37	22	40	16	37	64
70027-C2	VCT.63 p-M10x50-C2	63	M10	37	22	50	16	37	69
70027-C3	VCT.63 p-M10x50-C3	63	M10	37	22	50	16	37	69
70027-C4	VCT.63 p-M10x50-C4	63	M10	37	22	50	16	37	69
70027-C5	VCT.63 p-M10x50-C5	63	M10	37	22	50	16	37	69
70027-C6	VCT.63 p-M10x50-C6	63	M10	37	22	50	16	37	69
70027-C9	VCT.63 p-M10x50-C9	63	M10	37	22	50	16	37	69
70029-C2	VCT.63 p-M10x60-C2	63	M10	37	22	60	16	37	74
70029-C3	VCT.63 p-M10x60-C3	63	M10	37	22	60	16	37	74
70029-C4	VCT.63 p-M10x60-C4	63	M10	37	22	60	16	37	74
70029-C5	VCT.63 p-M10x60-C5	63	M10	37	22	60	16	37	74
70029-C6	VCT.63 p-M10x60-C6	63	M10	37	22	60	16	37	74
70029-C9	VCT.63 p-M10x60-C9	63	M10	37	22	60	16	37	74
70032-C2	VCT.63 p-M12x30-C2	63	M12	37	22	30	16	46	67
70032-C3	VCT.63 p-M12x30-C3	63	M12	37	22	30	16	46	67
70032-C4	VCT.63 p-M12x30-C4	63	M12	37	22	30	16	46	67
70032-C5	VCT.63 p-M12x30-C5	63	M12	37	22	30	16	46	67
70032-C6	VCT.63 p-M12x30-C6	63	M12	37	22	30	16	46	67
70032-C9	VCT.63 p-M12x30-C9	63	M12	37	22	30	16	46	67
70033-C2	VCT.63 p-M12x40-C2	63	M12	37	22	40	16	46	73
70033-C3	VCT.63 p-M12x40-C3	63	M12	37	22	40	16	46	73
70033-C4	VCT.63 p-M12x40-C4	63	M12	37	22	40	16	46	73
70033-C5	VCT.63 p-M12x40-C5	63	M12	37	22	40	16	46	73
70033-C6	VCT.63 p-M12x40-C6	63	M12	37	22	40	16	46	73
70033-C9	VCT.63 p-M12x40-C9	63	M12	37	22	40	16	46	73
70036-C2	VCT.63 p-M12x50-C2	63	M12	37	22	50	16	46	79
70036-C3	VCT.63 p-M12x50-C3	63	M12	37	22	50	16	46	79
70036-C4	VCT.63 p-M12x50-C4	63	M12	37	22	50	16	46	79
70036-C5	VCT.63 p-M12x50-C5	63	M12	37	22	50	16	46	79
70036-C6	VCT.63 p-M12x50-C6	63	M12	37	22	50	16	46	79
70036-C9	VCT.63 p-M12x50-C9	63	M12	37	22	50	16	46	79
70039-C2	VCT.63 p-M12x60-C2	63	M12	37	22	60	16	46	85
70039-C3	VCT.63 p-M12x60-C3	63	M12	37	22	60	16	46	85
70039-C4	VCT.63 p-M12x60-C4	63	M12	37	22	60	16	46	85
70039-C5	VCT.63 p-M12x60-C5	63	M12	37	22	60	16	46	85
70039-C6	VCT.63 p-M12x60-C6	63	M12	37	22	60	16	46	85
70039-C9	VCT.63 p-M12x60-C9	63	M12	37	22	60	16	46	85
70083-C2	VCT.74 p-M12x30-C2	74	M12	43.5	26	30	22	68	86
70083-C3	VCT.74 p-M12x30-C3	74	M12	43.5	26	30	22	68	86
70083-C4	VCT.74 p-M12x30-C4	74	M12	43.5	26	30	22	68	86
70083-C5	VCT.74 p-M12x30-C5	74	M12	43.5	26	30	22	68	86

70083-C6	VCT.74 p-M12x30-C6	74	M12	43.5	26	30	22	68	86
70083-C9	VCT.74 p-M12x30-C9	74	M12	43.5	26	30	22	68	86
70085-C2	VCT.74 p-M12x50-C2	74	M12	43.5	26	50	22	68	98
70085-C3	VCT.74 p-M12x50-C3	74	M12	43.5	26	50	22	68	98
70085-C4	VCT.74 p-M12x50-C4	74	M12	43.5	26	50	22	68	98
70085-C5	VCT.74 p-M12x50-C5	74	M12	43.5	26	50	22	68	98
70085-C6	VCT.74 p-M12x50-C6	74	M12	43.5	26	50	22	68	98
70085-C9	VCT.74 p-M12x50-C9	74	M12	43.5	26	50	22	68	98
70087-C2	VCT.74 p-M12x70-C2	74	M12	43.5	26	70	22	68	110
70087-C3	VCT.74 p-M12x70-C3	74	M12	43.5	26	70	22	68	110
70087-C4	VCT.74 p-M12x70-C4	74	M12	43.5	26	70	22	68	110
70087-C5	VCT.74 p-M12x70-C5	74	M12	43.5	26	70	22	68	110
70087-C6	VCT.74 p-M12x70-C6	74	M12	43.5	26	70	22	68	110
70087-C9	VCT.74 p-M12x70-C9	74	M12	43.5	26	70	22	68	110
70095-C2	VCT.74 p-M14x50-C2	74	M14	43.5	26	50	22	78	106
70095-C3	VCT.74 p-M14x50-C3	74	M14	43.5	26	50	22	78	106
70095-C4	VCT.74 p-M14x50-C4	74	M14	43.5	26	50	22	78	106
70095-C5	VCT.74 p-M14x50-C5	74	M14	43.5	26	50	22	78	106
70095-C6	VCT.74 p-M14x50-C6	74	M14	43.5	26	50	22	78	106
70095-C9	VCT.74 p-M14x50-C9	74	M14	43.5	26	50	22	78	106
70099-C2	VCT.95 p-M16x50-C2	95	M16	46	32	50	21	138	175
70099-C3	VCT.95 p-M16x50-C3	95	M16	46	32	50	21	138	175
70099-C4	VCT.95 p-M16x50-C4	95	M16	46	32	50	21	138	175
70099-C5	VCT.95 p-M16x50-C5	95	M16	46	32	50	21	138	175
70099-C6	VCT.95 p-M16x50-C6	95	M16	46	32	50	21	138	175
70099-C9	VCT.95 p-M16x50-C9	95	M16	46	32	50	21	138	175

Code	Description	Boss cap for
6900	CA.VCT.32-C9	VCT.32
6910	CA.VCT.40-C9	VCT.40
6920	CA.VCT.50-C9	VCT.50
6930	CA.VCT.63-74-95-C9	VCT.63-74-95
6903	CA.VCT.32-C2	VCT.32
6913	CA.VCT.40-C2	VCT.40
6923	CA.VCT.50-C2	VCT.50
6933	CA.VCT.63-74-95-C2	VCT.63-74-95
6904	CA.VCT.32-C3	VCT.32
6914	CA.VCT.40-C3	VCT.40
6924	CA.VCT.50-C3	VCT.50
6934	CA.VCT.63-74-95-C3	VCT.63-74-95
6905	CA.VCT.32-C4	VCT.32
6915	CA.VCT.40-C4	VCT.40
6925	CA.VCT.50-C4	VCT.50
6935	CA.VCT.63-74-95-C4	VCT.63-74-95
6906	CA.VCT.32-C5	VCT.32
6916	CA.VCT.40-C5	VCT.40
6926	CA.VCT.50-C5	VCT.50
6936	CA.VCT.63-74-95-C5	VCT.63-74-95
6901	CA.VCT.32-C6	VCT.32
6911	CA.VCT.40-C6	VCT.40
6921	CA.VCT.50-C6	VCT.50
6931	CA.VCT.63-74-95-C6	VCT.63-74-95

"Max limit Tightening torque" means the max torque value at which the metal insert, in normal conditions of use, is perfectly and strongly anchored to the plastic material.