

Product data

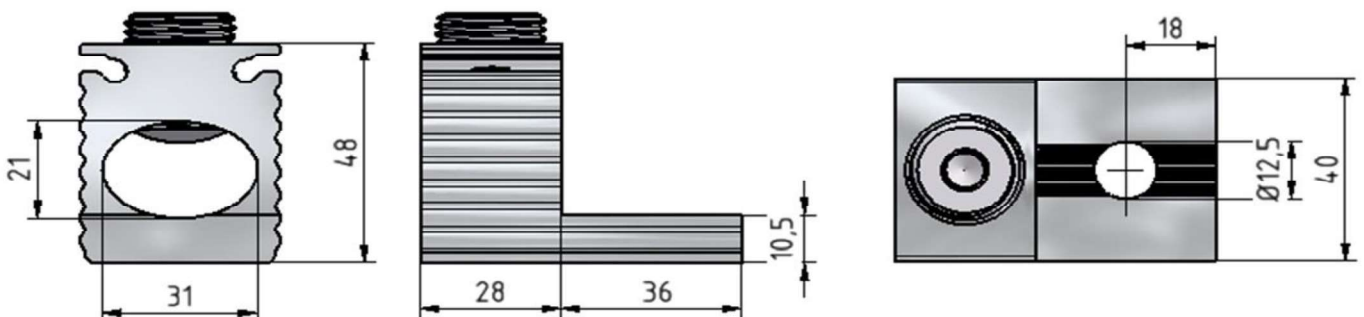
Product code	VC02-0015	STK-code	1912308	EAN-code	6410019123081
Product name	Universal connector 95-300mm ²			ETIM class	EC000897
Wires	1xAl/Cu 95-300 mm ²				

Technical data

Nominal current (IEC)	Cu	490	A
	Al	420	A
Nominal voltage (IEC)		690	V
		-	
		-	
		-	
Number of poles		1	pcs
Max. Cross section		300	mm ²
Tightening torque			
	95-185 mm ²	33	Nm
	240-300 mm ²	60	Nm
		-	
		-	
		-	
Operating temperature		80	°C
Weight		134	g
		-	
Standards	EN 61238-1:2004		
Color / Material	Tin plated aluminium		
Mounting / Connection	Screw M18		


Description

Ouneva OT-connectors are a universal terminal series for connecting Al- and Cu-conductors to equipment. OT-connectors are used in equipment or as a transfer terminal between copper and aluminium. Connectors are made of tin plated aluminium.

Drawing

Package

Package	Box	Pcs / Package	10	Weight [kg]	1,40
Length [mm]	210	Width [mm]	155	Height [mm]	105

Ouneva Oy

Teollisuustie 21
FI-82730 Tuupovaara
Finland

Tel. +358 400 179 750
info@ouneva.fi

www.ounevagroup.fi
www.ounevaproducts.fi