

Product data

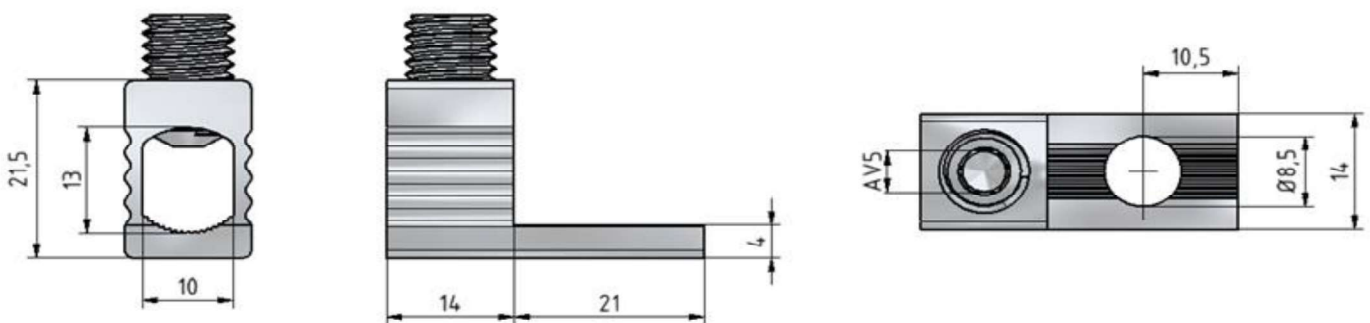
Product code	VC02-0006	STK-code	1912304	EAN-code	6410019123043
Product name	Universal connector 1,5-50mm ²		ETIM class	EC000897	
Wires	1xAl/Cu 1,5-50 mm ²				

Technical data

Nominal current (IEC)	Cu	160	A
	Al	145	A
Nominal voltage (IEC)		690	V
		-	
		-	
		-	
Number of poles		1	pcs
Max. Cross section		50	mm ²
Tightening torque			
	1,5-10 mm ²	3,5	Nm
	16-50 mm ²	10	Nm
		-	
		-	
		-	
Operating temperature		80	°C
Weight		10	g
		-	
Standards	EN 61238-1:2003		
Color / Material	Tin plated aluminium		
Mounting / Connection	Screw M10		


Description

Ouneva OT-connectors are a universal terminal series for connecting Al- and Cu-conductors to equipment. OT-connectors are used in equipment or as a transfer terminal between copper and aluminium. Connectors are made of tin plated aluminium.

Drawing

Package

Package	Box	Pcs / Package	30	Weight [kg]	0,36
Length [mm]	120	Width [mm]	130	Height [mm]	100

Ouneva Oy

Teollisuustie 21
FI-82730 Tuupovaara
Finland

Tel. +358 400 179 750
info@ouneva.fi

www.ounevagroup.fi
www.ounevaproducts.fi