

**Product data**

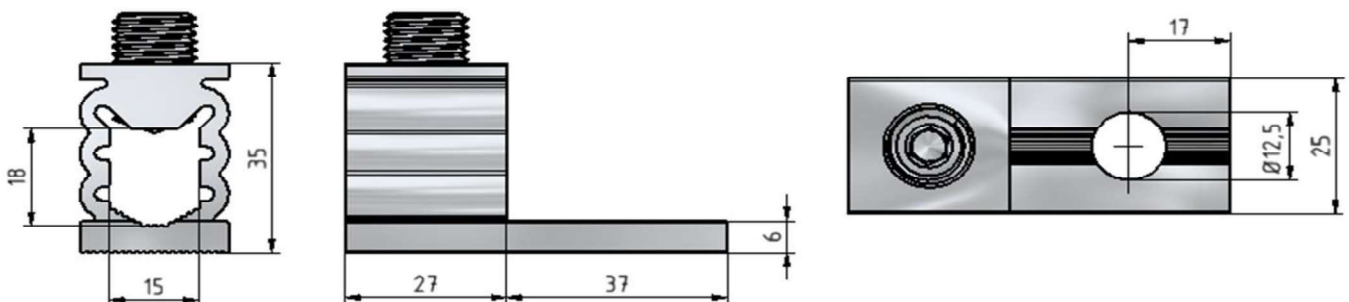
Product code	<b>VC02-0003</b>	STK-code	<b>1912301</b>	EAN-code	<b>6410019123012</b>
Product name	Universal connector 16-120mm <sup>2</sup>			ETIM class	<b>EC000897</b>
Wires	1xAl/Cu 16-120 mm <sup>2</sup>				

**Technical data**

Nominal current (IEC)	Cu	<b>280</b>	A
	Al	<b>230</b>	A
Nominal voltage (IEC)		<b>690</b>	V
		-	
		-	
		-	
Number of poles		<b>1</b>	pcs
Max. Cross section		<b>120</b>	mm <sup>2</sup>
Tightening torque			
	16-35 mm <sup>2</sup>	<b>12</b>	Nm
	50-120 mm <sup>2</sup>	<b>25</b>	Nm
		-	
		-	
		-	
Operating temperature		<b>80</b>	°C
Weight		<b>50</b>	g
		-	
Standards	<b>EN 61238-1:2003</b>		
Color / Material	<b>Tin plated aluminium</b>		
Mounting / Connection	<b>Screw M14</b>		


**Description**

Ouneva OT-connectors are a universal terminal series for connecting Al- and Cu-conductors to equipment. OT-connectors are used in equipment or as a transfer terminal between copper and aluminium. Connectors are made of tin plated aluminium.

**Drawing**

**Package**

Package	<b>Box</b>	Pcs / Package	<b>30</b>	Weight [kg]	<b>1,70</b>
Length [mm]	<b>210</b>	Width [mm]	<b>155</b>	Height [mm]	<b>105</b>

**Ouneva Oy**

Teollisuustie 21  
FI-82730 Tuupovaara  
Finland

Tel. +358 400 179 750  
[info@ouneva.fi](mailto:info@ouneva.fi)

[www.ounevagroup.fi](http://www.ounevagroup.fi)  
[www.ounevaproducts.fi](http://www.ounevaproducts.fi)