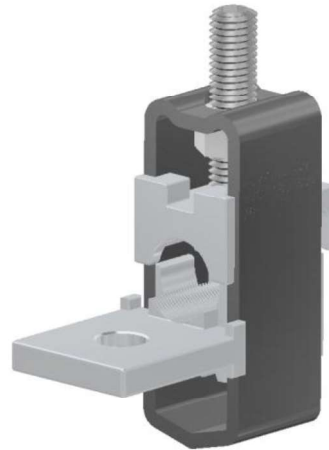


Product data

Product code	VC01-0019	STK-code	1914139	EAN-code	6410019141399
Product name	OL 2x185-300				
Wires	2xAl/Cu 185-300 mm²				

Technical data

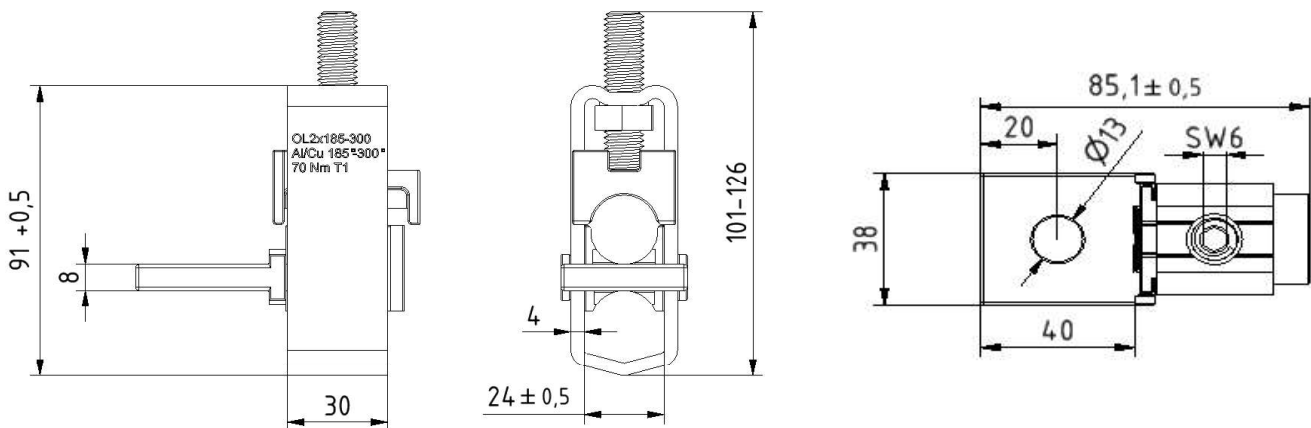
Nominal current	Cu	800	A
	Al	800	A
Nominal voltage		-	V
Max. Current (US)	Cu	-	A
	Al	-	A
Max. Voltage (US)		-	V
Number of pole		1	
Max. Cross section		300	mm ²
Tightening torque	185-300 mm ²	70	Nm
Max. Operating temperature		80	°C
Weight		544	g
IP-protection		-	
Standards	-		
Color/ Material	Stainless steel/ Tin plated copper		
Mounting/ Connection	Screw M12		



Description

OL-connectors are designed to be used connecting aluminium and copper conductors. Frames are made of stainless steel and busbars are tin-plated copper.

Drawing



Package

Package	Box	pcs/ package	3	Weight [Kg]	1,67
Length [mm]	85	Width [mm]	144	Height [mm]	85