

Product data

Product code	VC01-0017	STK-code	1914194	EAN-code	6410019141948
Product name	OL 95-185 D=11				
Wires	1xAl/Cu 95-185 mm ²				

Technical data

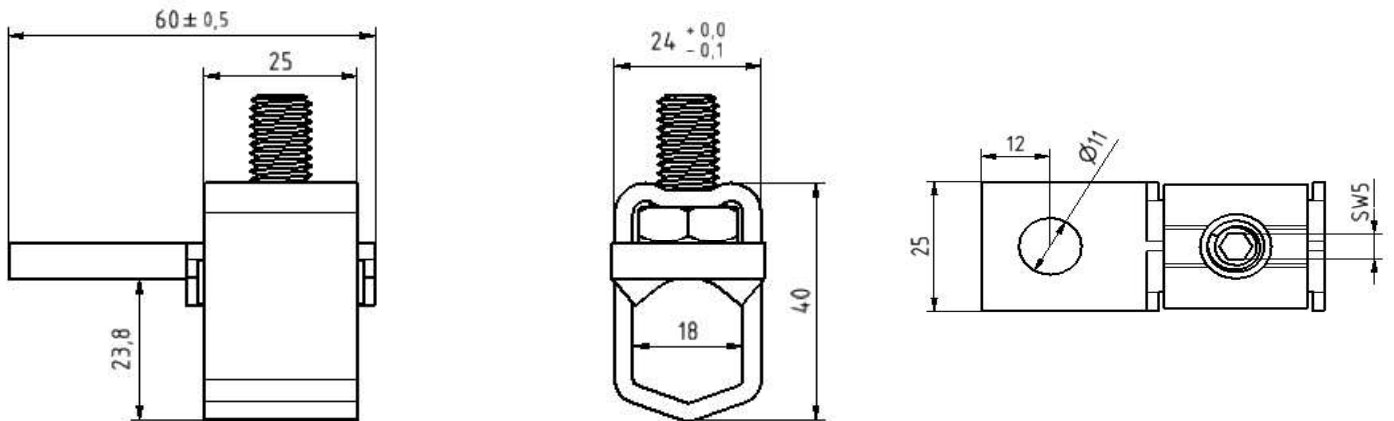
Nominal current	Cu	400	A
	Al	400	A
Nominal voltage		-	V
Max. Current (US)	Cu	-	A
	Al	-	A
Max. Voltage (US)		-	V
Number of pole		1	
Max. Cross section		185	mm ²
Tightening torque	95-185 mm ²	40	Nm
Max. Operating temperature		80	°C
Weight		142	g
IP-protection		-	
Standards	SFS2663:1975/ UL 486E		
Color/ Material	Stainless steel/ Tin plated copper		
Mounting/ Connection	Screw M10		



Description

OL-connectors are designed to be used connecting aluminium and copper conductors. Frames are made of stainless steel and busbars are tin-plated copper.

Drawing



Package

Package	Box	pcs/ package	15	Weight [Kg]	2,18
Length [mm]	85	Width [mm]	144	Height [mm]	85