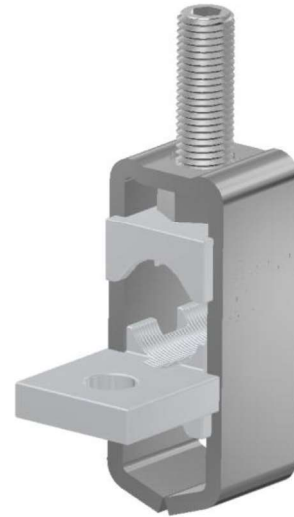


**Product data**

Product code	<b>VC01-0014</b>	STK-code	<b>1912020</b>	EAN-code	<b>6410019120202</b>
Product name	<b>OL2x95-240</b>				
Wires	<b>2xAl/Cu 95-240 mm<sup>2</sup></b>				

**Technical data**

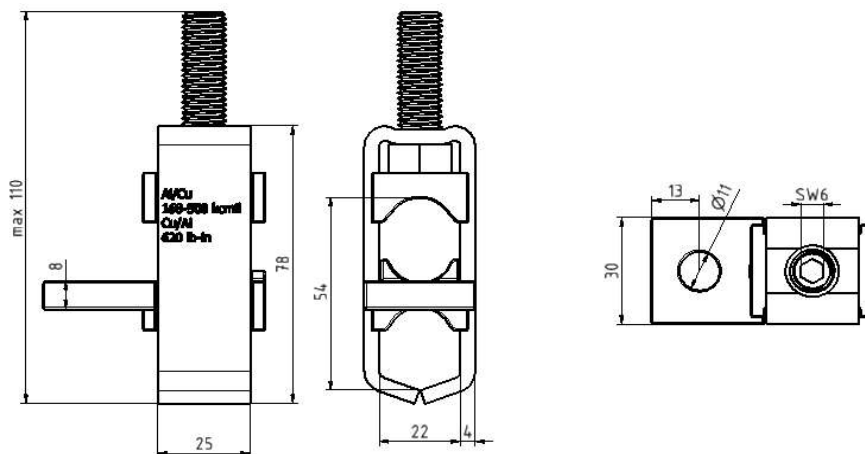
Nominal current	Cu	-	A
	Al	-	A
Nominal voltage		-	V
Max. Current (US)	Cu	-	A
	Al	-	A
Max. Voltage (US)		-	V
Number of pole		<b>1</b>	
Max. Cross section		<b>240</b>	mm <sup>2</sup>
Tightening torque	95-240 mm <sup>2</sup>	<b>70</b>	Nm
Max. Operating temperature		<b>80</b>	°C
Weight		<b>345</b>	g
IP-protection		-	
Standards	<b>UL 486E</b>		
Color/ Material	<b>Stainless steel/ Tin plated copper</b>		
Mounting/ Connection	<b>Screw M12</b>		



**Description**

OL-connectors are designed to be used connecting aluminium and copper conductors. Frames are made of stainless steel and busbars are tin-plated copper.

**Drawing**



**Package**

Package	<b>Box</b>	pcs/ package	<b>3</b>	Weight [Kg]	<b>1,05</b>
Length [mm]	<b>86</b>	Width [mm]	<b>68</b>	Height [mm]	<b>82</b>