

Product data

Product code	VC01-0013	STK-code	1912015	EAN-code	6410019120158
Product name	OL25-150				
Wires	1xAl/Cu 25-150 mm²				

Technical data

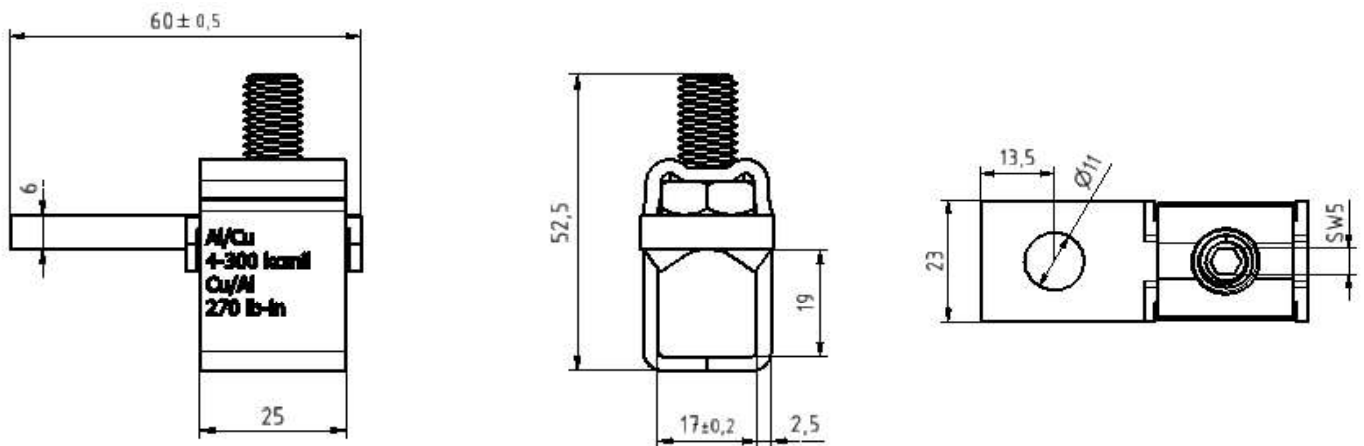
Nominal current	Cu	-	A
	Al	-	A
Nominal voltage		-	V
Max. Current (US)	Cu	-	A
	Al	-	A
Max. Voltage (US)		-	V
Number of pole		1	
Max. Cross section		150	mm ²
Tightening torque	25-150 mm ²	30	Nm
Max. Operating temperature		80	°C
Weight		130	g
IP-protection		-	
Standards	UL 486E		
Color/ Material	Stainless steel/ Tin plated copper		
Mounting/ Connection	Screw M10		



Description

OL-connectors are designed to be used connecting aluminium and copper conductors. Frames are made of stainless steel and busbars are tin-plated copper.

Drawing



Package

Package	Box	pcs/ package	15	Weight [Kg]	2,02
Length [mm]	85	Width [mm]	85	Height [mm]	144