

**Product data**

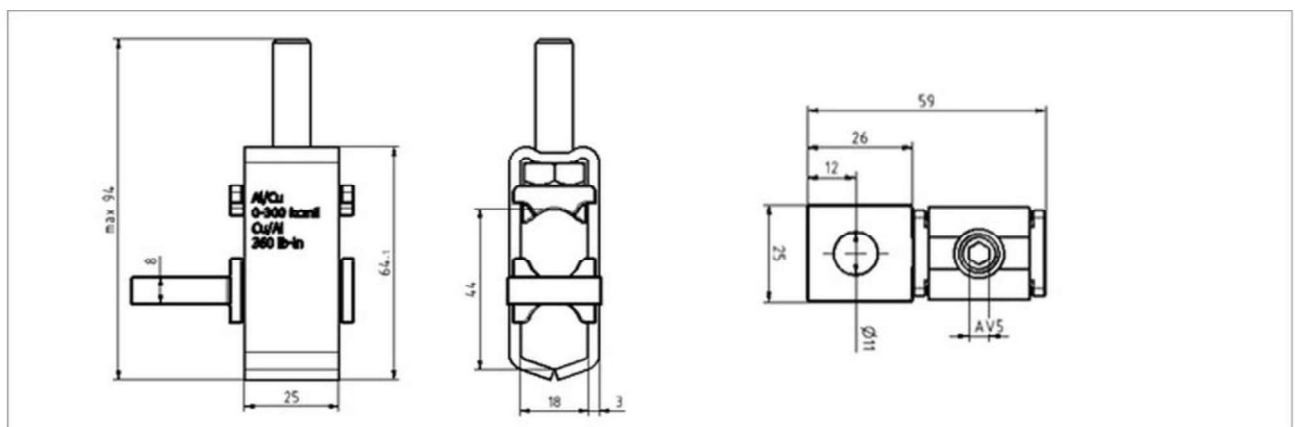
Product code	<b>VC01-0011</b>	STK-code	<b>1912019</b>	EAN-code	<b>6410019120196</b>
Product name	<b>OL2x50-150</b>	ETIM class	<b>EC000897</b>		
Wires	<b>2xAl/Cu 50-150 mm<sup>2</sup></b>				

**Technical data**

Nominal current (IEC)	Cu	<b>579</b>	A
	Al	<b>455</b>	A
		-	
		-	
		-	
Number of poles		<b>1</b>	pcs
Max. Cross section		<b>150</b>	mm <sup>2</sup>
Tightening torque			
	50-150 mm <sup>2</sup>	<b>40</b>	Nm
		-	
		-	
		-	
Operating temperature		<b>80</b>	°C
Weight		<b>240</b>	g
		-	
Standards	<b>UL 486E</b>		
Color / Material	<b>Stainless steel/ Tin plated copper</b>		
Mounting / Connection	<b>Screw M10</b>		


**Description**

OL-connectors are designed to be used connecting aluminium and copper conductors. Frames are made of stainless steel and busbars of tin plated copper.

**Drawing**

**Package**

Package	<b>Box</b>	Pcs / Package	<b>3</b>	Weight [kg]	<b>0,74</b>
Length [mm]	<b>86</b>	Width [mm]	<b>68</b>	Height [mm]	<b>82</b>

**Ouneva Oy**

Teollisuustie 21  
FI-82730 Tuupovaara  
Finland

Tel. +358 400 179 750  
[info@ouneva.fi](mailto:info@ouneva.fi)

[www.ounevagroup.fi](http://www.ounevagroup.fi)  
[www.ounevaproducts.fi](http://www.ounevaproducts.fi)