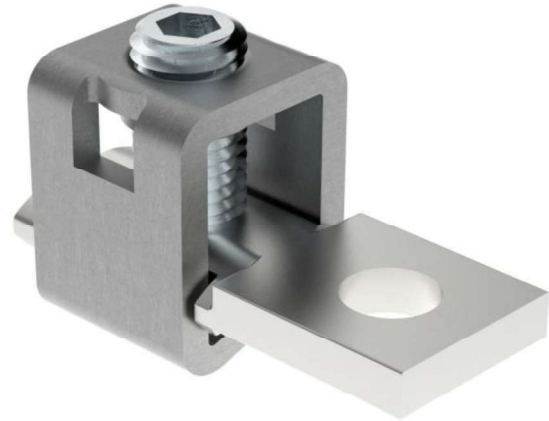


**Product data**

Product code	<b>VC01-0006</b>	STK-code	<b>1914192</b>	EAN-code	<b>6410019141924</b>
Product name	<b>OL 6-70M</b>	ETIM class	<b>EC000897</b>		
Wires	<b>1xAl/Cu 6-70 mm<sup>2</sup></b>				

**Technical data**

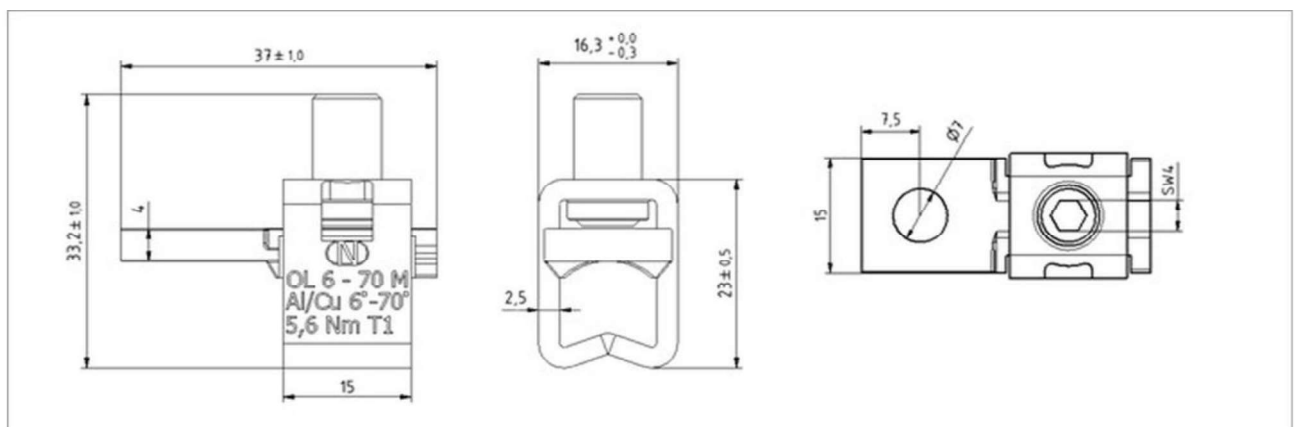
Nominal current (IEC)	Cu	<b>270</b>	A
	Al	<b>270</b>	A
		-	
		-	
		-	
Number of poles		<b>1</b>	pcs
Max. Cross section		<b>70</b>	mm <sup>2</sup>
Tightening torque			
	6-70 mm <sup>2</sup>	<b>5,6</b>	Nm
		-	
		-	
		-	
Operating temperature		<b>80</b>	°C
Weight		<b>36</b>	g
		-	



Standards	<b>UL 486E</b>
Color / Material	<b>Stainless steel/ Tin plated copper</b>
Mounting / Connection	<b>Screw M8</b>

**Description**

OL-connectors are designed to be used connecting aluminium and copper conductors. Frames are made of stainless steel and busbars of tin plated copper.

**Drawing**

**Package**

Package	<b>Box</b>	Pcs / Package	<b>30</b>	Weight [kg]	<b>1,07</b>
Length [mm]	<b>86</b>	Width [mm]	<b>68</b>	Height [mm]	<b>82</b>

**Ouneva Oy**

Teollisuustie 21  
FI-82730 Tuupovaara  
Finland

Tel. +358 400 179 750  
[info@ouneva.fi](mailto:info@ouneva.fi)

[www.ounevagroup.fi](http://www.ounevagroup.fi)  
[www.ounevaproducts.fi](http://www.ounevaproducts.fi)