

Product data

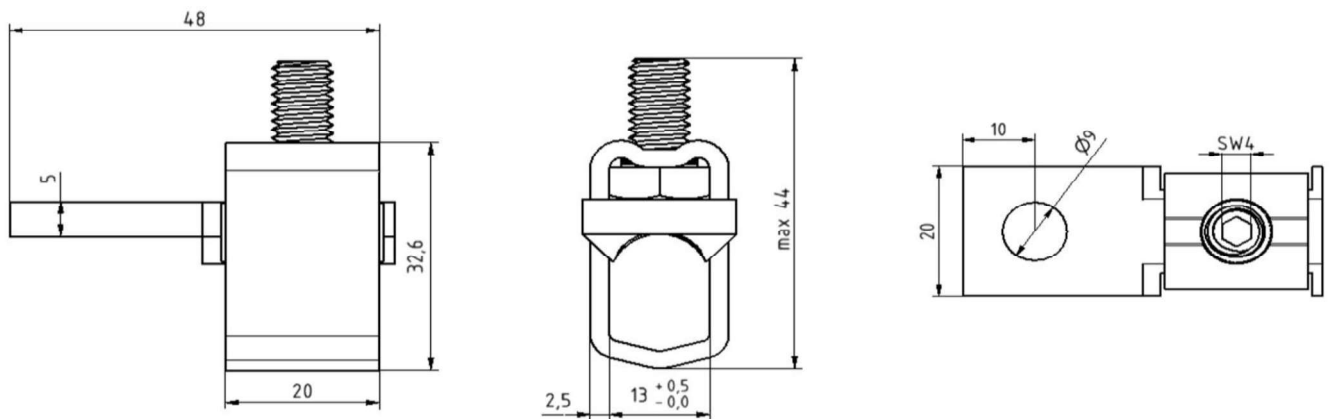
Product code	VC01-0005	STK-code	1914193	EAN-code	6410019141931
Product name	OL 25-95 D=9	ETIM class	EC000897		
Wires	1xAl/Cu 25-95 mm ²				

Technical data

Nominal current (IEC)	Cu	320	A
	Al	320	A
		-	
		-	
		-	
Number of poles		1	pcs
Max. Cross section		95	mm ²
Tightening torque			
	25-95 mm ²	20	Nm
		-	
		-	
		-	
Operating temperature		80	°C
Weight		76	g
		-	
Standards	UL 486E		
Color / Material	Stainless steel/ Tin plated copper		
Mounting / Connection	Screw M8		


Description

OL-connectors are designed to be used connecting aluminium and copper conductors. Frames are made of stainless steel and busbars of tin plated copper.

Drawing

Package

Package	Box	Pcs / Package	15	Weight [kg]	1,19
Length [mm]	85	Width [mm]	144	Height [mm]	85

Ouneva Oy

Teollisuustie 21
FI-82730 Tuupovaara
Finland

Tel. +358 400 179 750
info@ouneva.fi

www.ounevagroup.fi
www.ounevaproducts.fi