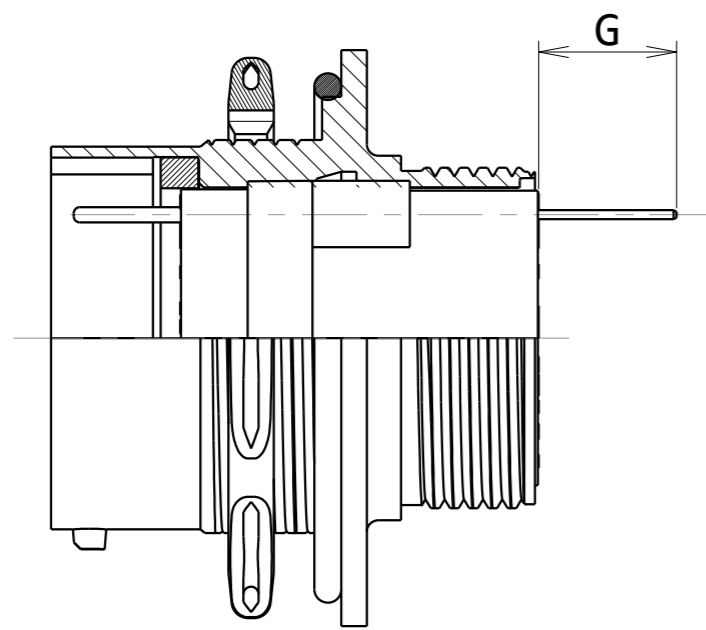
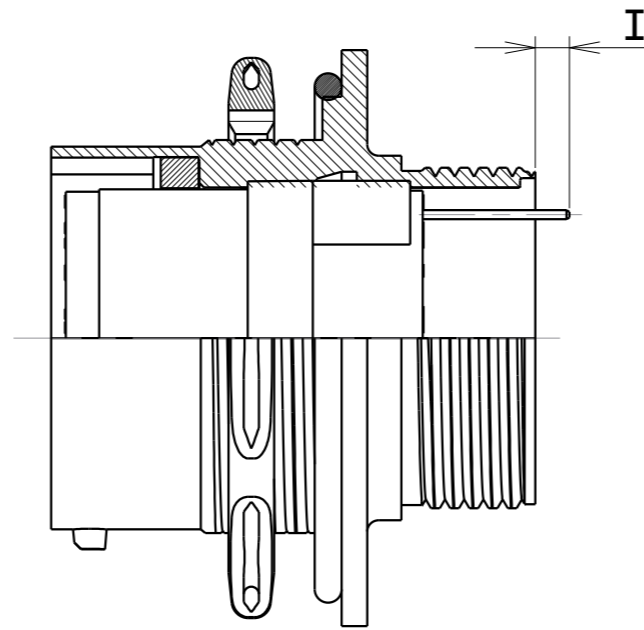


In case the connectors are equipped with dipsolder contacts

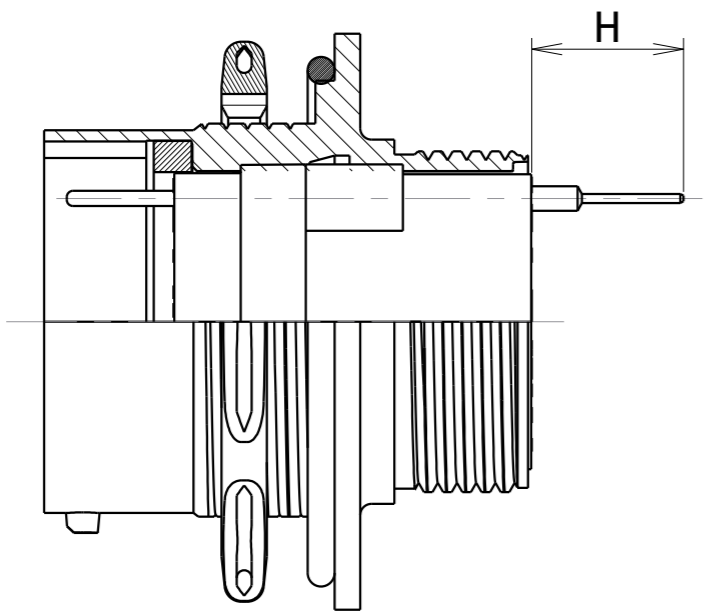
CONTACT RMW50A7* (Male)



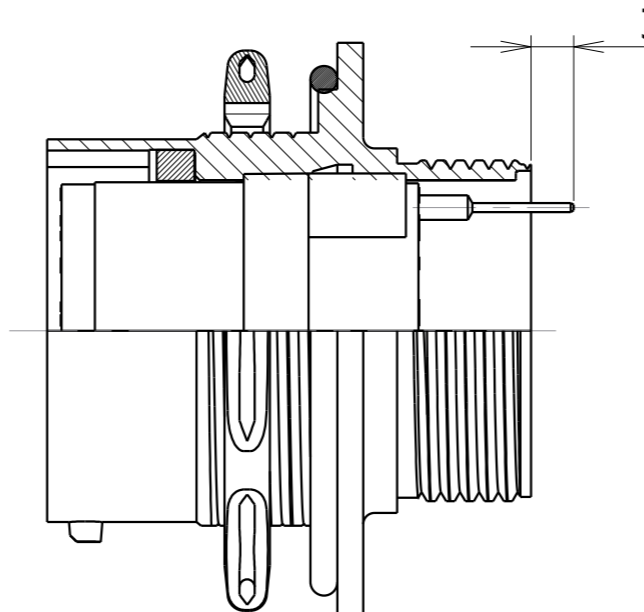
CONTACT RCW50A7* (Female)



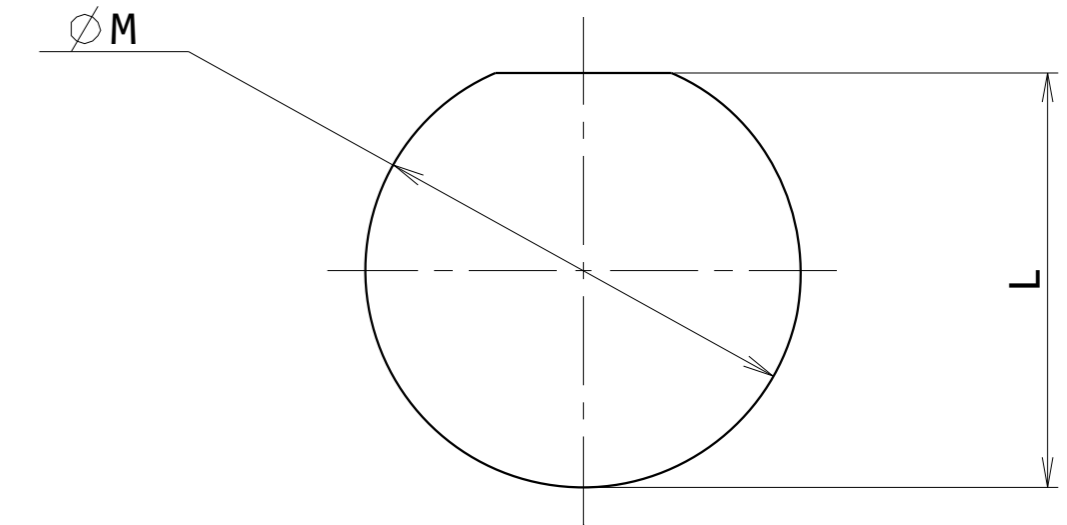
CONTACT RMW5016* (Male)



CONTACT RCW5016* (Female)



Panel Cut Out



| MALE CONTACTS | | | | |
|---------------|-----|------|-----|------|
| Part Number | G | | H | |
| | min | max | min | max |
| UT0W7106P-H- | 8.2 | 10.1 | 9.1 | 11.0 |
| UT0W71210P-H- | | | | |
| UT0W71419P-H- | | | | |
| UT0W71626P-H- | | | | |
| UT0W71832P-H- | | | | |
| UT0W72041P-H- | | | | |
| UT0W72255P-H- | | | | |
| UT0W72461P-H- | | | | |

| FEMALE CONTACTS | | | | |
|-----------------|-----|-----|-----|-----|
| Part Number | I | | J | |
| | min | max | min | max |
| UT0W7106S-H- | 1.2 | 3.4 | 1.8 | 4 |
| UT0W71210S-H- | | | | |
| UT0W71419S-H- | | | | |
| UT0W71626S-H- | | | | |
| UT0W71832S-H- | | | | |
| UT0W72041S-H- | | | | |
| UT0W72255S-H- | | | | |
| UT0W72461S-H- | | | | |

| Part Number (Male or Female) | L | ∅ M |
|------------------------------|---|--|
| UT0W7106--H- | 16.45 $\begin{smallmatrix} +0.2 \\ 0 \end{smallmatrix}$ | 17.30 $\begin{smallmatrix} +0.25 \\ 0 \end{smallmatrix}$ |
| UT0W71210--H- | 20.85 $\begin{smallmatrix} +0.3 \\ 0 \end{smallmatrix}$ | 22.10 $\begin{smallmatrix} +0.3 \\ 0 \end{smallmatrix}$ |
| UT0W71419--H- | 24.00 $\begin{smallmatrix} +0.3 \\ 0 \end{smallmatrix}$ | 25.40 $\begin{smallmatrix} +0.3 \\ 0 \end{smallmatrix}$ |
| UT0W71626--H- | 27.10 $\begin{smallmatrix} +0.3 \\ 0 \end{smallmatrix}$ | 28.20 $\begin{smallmatrix} +0.3 \\ 0 \end{smallmatrix}$ |
| UT0W71832--H- | 30.20 $\begin{smallmatrix} +0.3 \\ 0 \end{smallmatrix}$ | 31.70 $\begin{smallmatrix} +0.3 \\ 0 \end{smallmatrix}$ |
| UT0W72041--H- | 33.40 $\begin{smallmatrix} +0.3 \\ 0 \end{smallmatrix}$ | 34.70 $\begin{smallmatrix} +0.3 \\ 0 \end{smallmatrix}$ |
| UT0W72255--H- | 36.60 $\begin{smallmatrix} +0.3 \\ 0 \end{smallmatrix}$ | 37.80 $\begin{smallmatrix} +0.3 \\ 0 \end{smallmatrix}$ |
| UT0W72461--H- | 39.80 $\begin{smallmatrix} +0.3 \\ 0 \end{smallmatrix}$ | 41.10 $\begin{smallmatrix} +0.3 \\ 0 \end{smallmatrix}$ |

| | | | | |
|--------------|------------|---|-------------------------|---|
| A | 20/04/2015 | _CREATION OF THE DRAWING _Cancel & replace UT0W7-C01 | | 24021 |
| ISS | DATE | Latest modification - by: COUTY L. | | MOD N° |
| Designed by: | | CHANTOISEAU P. Date : 21/10/2013 | CUSTOMER DRAWING | |
| TITLE | | RECEPTACLE UT0W CONNECTOR | | |
| Scale | 3/1 | General linear Tolerances: ± 0.1 | NPRDS / PROJECT UT0W | |
| SOURIAU | | WWW.SOURIAU.COM | | This document is the property of SOURIAU. It must not be reproduced or communicated without permission. |
| FORMAT | A2 | SOURIAU DRG N° C002-UT07-A | | SHEET 2 / 2 |