

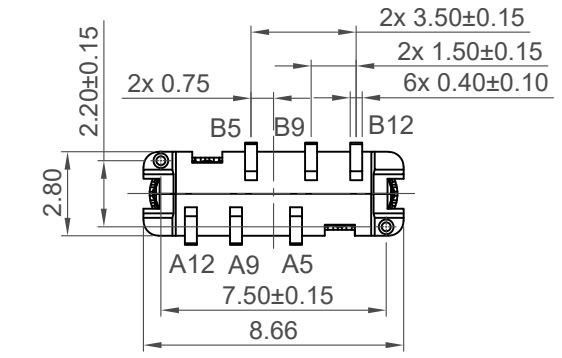
Specifications

Material
 Insulator: LCP, UL 94V-0, Black
 Contact: Copper Alloy
 Shell: Stainless Steel

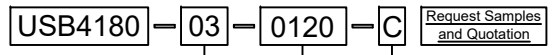
Plating
 Contact
 Contact Area: 3µ" Au over 50µ" min. Nickel
 Solder Tails: 80µ" min. Sn over 50µ" min. Nickel
 Shell: 30µ" min. Nickel

Electrical
 Current Rating: 3.00A collectively for Vbus pins
 4.25A collectively for GND pins
 1.25A for A5/B5 pin
 Voltage Rating: 20V DC
 Contact Resistance: 40mΩ max initial.
 50mΩ max after test
 Dielectric Withstanding Voltage: 100V AC
 Insulation Resistance 100MΩ min

Mechanical & Environmental
 Operating Temperature: -25°C to +85°C
 Mating Force: 5N max.
 Unmated Force: 3N max.
 Durability: 10,000 cycles



Ordering Grid



Contact Plating
 03 = 3µ" Gold

Packing Options
 C = Tape & Reel with Cap
 (400 per reel)

Shell Stake Length "S"
 0120 = 1.20mm

Part Number		Product Description	
USB4180		Type C Plug, Vertical, SMT, For Power Charging Only	
Drawing Date		6 Pin, Without Latches	
24th March 2023			
By	CC	Tolerances (Except as Noted)	Units:
Detail	Drawing Release	Length	Metric (mm)
Revision	A	Angle	
Date	24/03/23	X.X ± 0.30	
		X.XX ± 0.25	
		X.XXX ± 0.10	

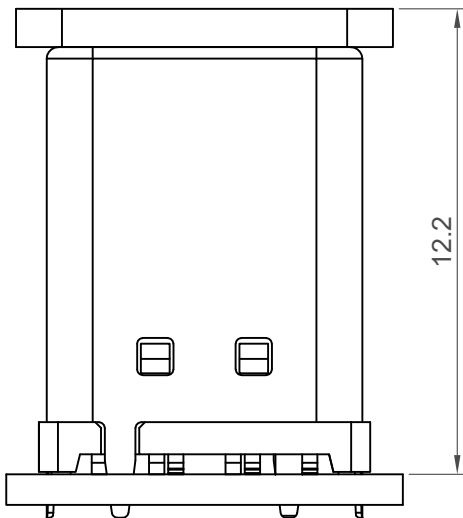
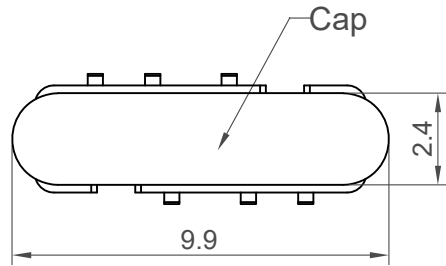


This drawing is confidential and copyright of Global Connector Technology, Ltd (GCT). This drawing must not be copied or disclosed without written consent. E & OE

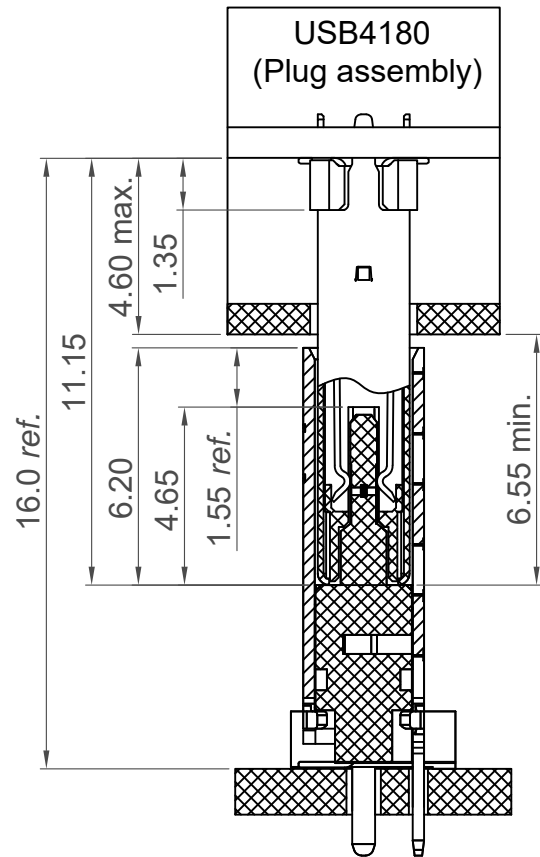


Not to Scale	Drawn By CC	Sheet No. 1/3
--------------	-------------	---------------

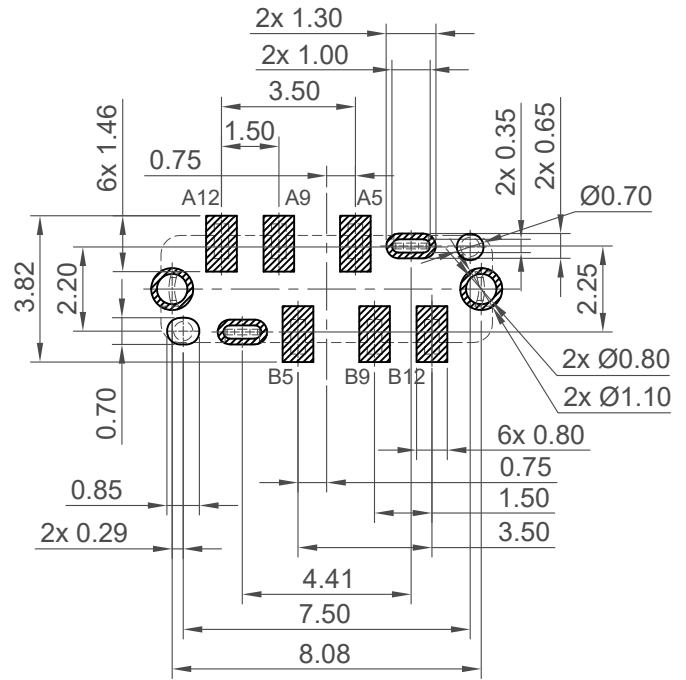
H
G
F
E
D
C
B
A



PCB Mount&Cap Information



USB4175
(Receptacle assembly)



Recommended PCB Layout
Thickness 0.8±0.10mm
Tolerance: ±0.05mm

▨ Solder Area □ Component Outline

Pin	Signal	Mating Sequence
A5	CC1	Second
A9	V _{BUS}	First
A12	GND	First
B5	CC2	Second
B9	V _{BUS}	First
B12	GND	First
SHELL	GND	

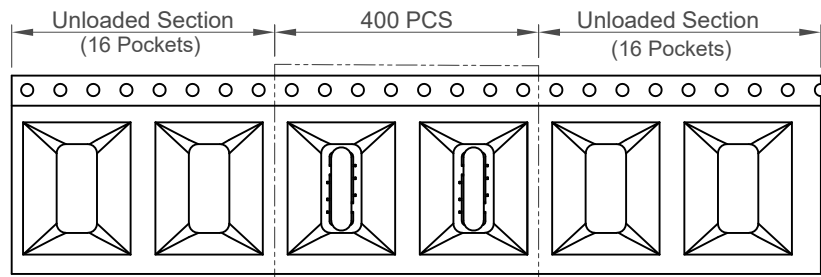
Part Number		Product Description	
USB4180		Type C Plug, Vertical, SMT, For Power Charging Only	
Drawing Date		6 Pin, Without Latches	
24th March 2023			
By	CC	Tolerances (Except as Noted)	Units:
Detail	Drawing Release	Length	Metric (mm)
Revision	A	X.X ± 0.30	
Date	24/03/23	X.XX ± 0.25	
		X.XXX ± 0.10	

This drawing is confidential and copyright of Global Connector Technology, Ltd (GCT). This drawing must not be copied or disclosed without written consent. E & OE

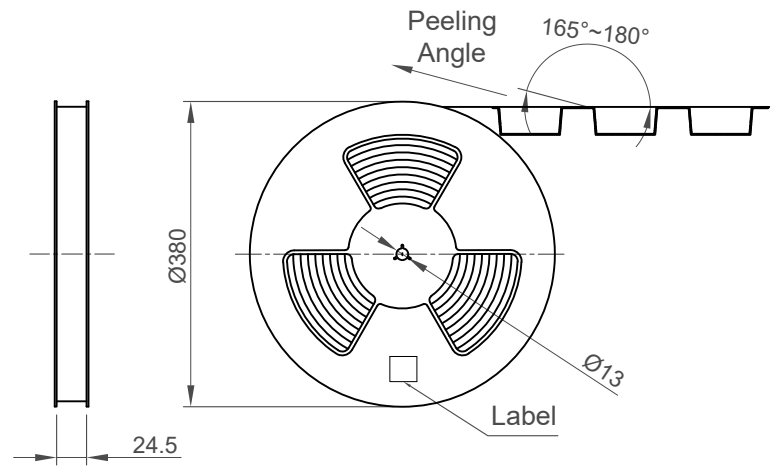


Not to Scale	Drawn By CC	Sheet No. 2/3
--------------	-------------	---------------

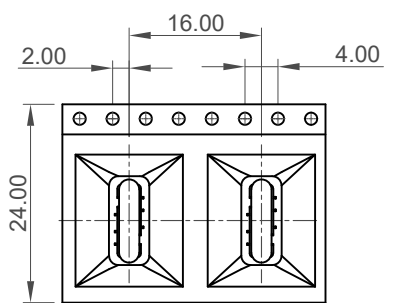
1 2 3 4 5 6 7 8



Direction of Unreeling

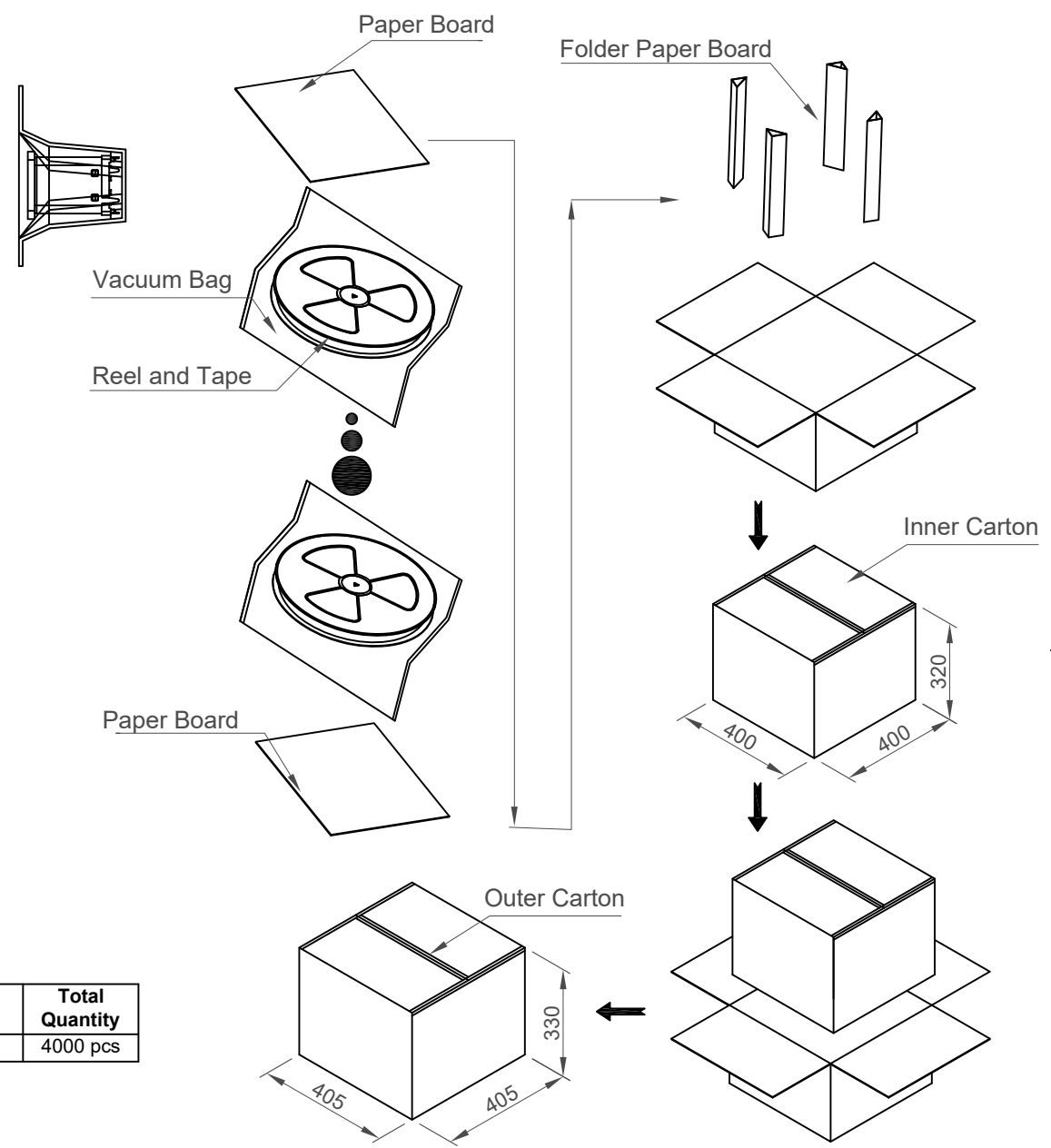


Direction of Unreeling



Detail: E

Pcs / Reel	Reels / Carton	Total Quantity
400	10	4000 pcs



Part Number		Product Description	
USB4180		Type C Plug, Vertical, SMT, For Power Charging Only	
Drawing Date		6 Pin, Without Latches	
24th March 2023			
By	CC	Tolerances (Except as Noted)	Units:
Detail	Drawing Release	Length	Metric (mm)
Revision	A	X.X ± 0.30	
Date	24/03/23	X.XX ± 0.25	
		X.XXX ± 0.10	

This drawing is confidential and copyright of Global Connector Technology, Ltd (GCT). This drawing must not be copied or disclosed without written consent. E & OE



Not to Scale	Drawn By CC	Sheet No. 3/3
--------------	-------------	---------------