

# Fuses for Semiconductor Protection

European Standard

Type D0 / D



Voltage ratings: AC 440 V – AC 500 V

Current ratings: 2 A to 200 A

Classes: gR / aR

Standards: IEC 60269-4

DIN VDE 0636-40

DIN 49515 / 49360

SIBA D-Fuses, also known as type Diazed/ Neozed fuses are supplied in eight different sizes, ND, DII, DIII, DVI, DV, D01, D02, D03. All fuses have color coded blown fuse indicators.

## Features / Benefits

- ▶ Class gR for rated currents up to 100 A  
Class aR for rated currents above 100 A
- ▶ All fuses have blown fuse indicators
- ▶ Protection of Power Semiconductors according to IEC 60269-4
- ▶ Fuse-bases and accessories are available



## Fuses for Semiconductor Protection

European Standard

Type D0 / D

### Selection Guide

| Type | Size   | Rated Voltage<br>[V] | Part No.  | Selector Guide<br>[Page] |
|------|--------|----------------------|-----------|--------------------------|
| ND   | E 16   | 500                  | 10 002 07 | URD 2                    |
| DII  | E 27   | 500                  | 10 005 07 | URD 3                    |
| DIII | E 33   | 500                  | 10 007 07 | URD 3                    |
| DIV  | R 1½"  | 500                  | 10 009 07 | URD 4                    |
| DV   | R 2"   | 500                  | 10 010 07 | URD 4                    |
| D01  | E 14   | 440                  | 10 027 07 | URD 5                    |
| D02  | E 18   | 440                  | 10 028 07 | URD 5                    |
| D03  | M 30x2 | 440                  | 10 029 07 | URD 5                    |

Type  
**ND**

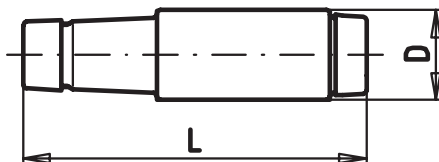
Rated Voltage  
**AC 500 V**

Size  
**E 16**

Standard  
**DIN 49360**

| Rated Current<br>[A] | Part No.     | Weight<br>[kg/1] | Pack |
|----------------------|--------------|------------------|------|
| 2                    | 10 002 07.2  | 0.016            | 50   |
| 4                    | 10 002 07.4  | 0.016            | 50   |
| 6                    | 10 002 07.6  | 0.016            | 50   |
| 10                   | 10 002 07.10 | 0.016            | 50   |
| 16                   | 10 002 07.16 | 0.016            | 50   |
| 20                   | 10 002 07.20 | 0.016            | 50   |
| 25                   | 10 002 07.25 | 0.016            | 50   |
| 30                   | 10 002 07.30 | 0.016            | 50   |

### Type ND



**D** 0.50" (12.5 mm)

**L** 1.97" (50 mm)



**Fuses for Semiconductor Protection**  
European Standard

Type D0 / D

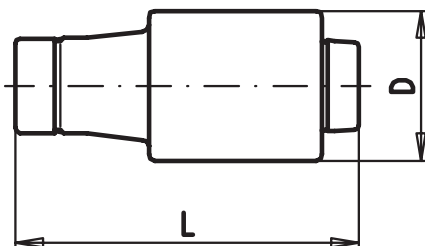
|                     |                                  |                     |                              |
|---------------------|----------------------------------|---------------------|------------------------------|
| Type<br><b>D II</b> | Rated Voltage<br><b>AC 500 V</b> | Size<br><b>E 27</b> | Standard<br><b>DIN 49515</b> |
|---------------------|----------------------------------|---------------------|------------------------------|

| Rated Current [A] | Part No.     | Weight [kg/1] | Pack |
|-------------------|--------------|---------------|------|
| 2                 | 10 005 07.2  | 0.031         | 5    |
| 4                 | 10 005 07.4  | 0.031         | 5    |
| 6                 | 10 005 07.6  | 0.031         | 5    |
| 10                | 10 005 07.10 | 0.031         | 5    |
| 16                | 10 005 07.16 | 0.031         | 5    |
| 20                | 10 005 07.20 | 0.031         | 5    |
| 25                | 10 005 07.25 | 0.031         | 5    |
| 30                | 10 005 07.30 | 0.031         | 5    |

|                      |                                  |                     |                              |
|----------------------|----------------------------------|---------------------|------------------------------|
| Type<br><b>D III</b> | Rated Voltage<br><b>AC 500 V</b> | Size<br><b>E 33</b> | Standard<br><b>DIN 49515</b> |
|----------------------|----------------------------------|---------------------|------------------------------|

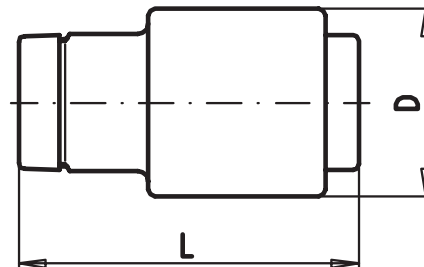
| Rated Current [A] | Part No.     | Weight [kg/1] | Pack |
|-------------------|--------------|---------------|------|
| 35                | 10 007 07.35 | 0.031         | 5    |
| 50                | 10 007 07.50 | 0.031         | 5    |
| 63                | 10 007 07.63 | 0.031         | 5    |

Type **D II**



**D** 0.87" (22 mm)  
**L** 1.97" (50 mm)

Type **D III**



**D** 1.06" (27 mm)  
**L** 1.97" (50 mm)



**Fuses for Semiconductor Protection**

European Standard

Type D0 / D

Type  
**D IV**

Rated Voltage  
**AC 500 V**

Size  
**R 14"**

Standard  
**DIN 49515**

| Rated Current [A] | Part No.      | Weight [kg/1] | Pack |
|-------------------|---------------|---------------|------|
| 80                | 10 009 07.80  | 0.116         | 5    |
| 100               | 10 009 07.100 | 0.116         | 5    |

Type  
**D V**

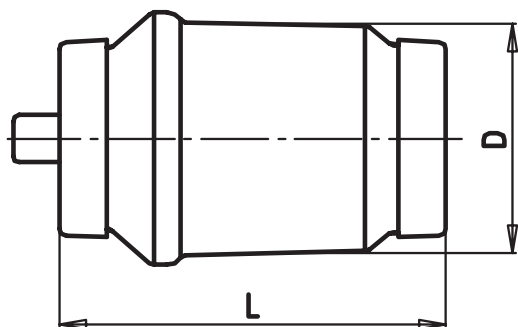
Rated Voltage  
**AC 500 V**

Size  
**R 2"**

Standard  
**DIN 49365**

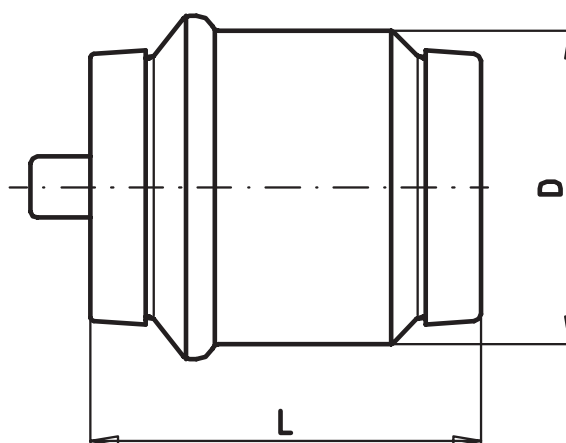
| Rated Current [A] | Part No.      | Weight [kg/1] | Pack |
|-------------------|---------------|---------------|------|
| 125               | 10 010 07.125 | 0.116         | 5    |
| 160               | 10 010 07.160 | 0.116         | 5    |
| 200               | 10 010 07.200 | 0.116         | 5    |

Type **D IV**



**D** 1.30" (33 mm)  
**L** 1.97" (50 mm)

Type **D V**



**D** 1.80" (46 mm)  
**L** 1.97" (50 mm)



**Fuses for Semiconductor Protection**  
European Standard

Type D0 / D

|                     |                                  |                     |                              |
|---------------------|----------------------------------|---------------------|------------------------------|
| Type<br><b>D 01</b> | Rated Voltage<br><b>AC 440 V</b> | Size<br><b>E 14</b> | Standard<br><b>DIN 49522</b> |
|---------------------|----------------------------------|---------------------|------------------------------|

| Rated Current [A] | Part No.     | Weight [kg/1] | Pack |
|-------------------|--------------|---------------|------|
| 2                 | 10 027 07.2  | 0.006         | 50   |
| 4                 | 10 027 07.4  | 0.006         | 50   |
| 6                 | 10 027 07.6  | 0.006         | 50   |
| 10                | 10 027 07.10 | 0.006         | 50   |
| 16                | 10 027 07.16 | 0.006         | 50   |

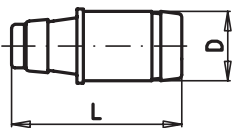
|                     |                                  |                     |                              |
|---------------------|----------------------------------|---------------------|------------------------------|
| Type<br><b>D 02</b> | Rated Voltage<br><b>AC 440 V</b> | Size<br><b>E 18</b> | Standard<br><b>DIN 49522</b> |
|---------------------|----------------------------------|---------------------|------------------------------|

| Rated Current [A] | Part No.     | Weight [kg/1] | Pack |
|-------------------|--------------|---------------|------|
| 20                | 10 028 07.20 | 0.014         | 25   |
| 25                | 10 028 07.25 | 0.014         | 25   |
| 35                | 10 028 07.35 | 0.014         | 25   |
| 50                | 10 028 07.50 | 0.014         | 25   |
| 63                | 10 028 07.63 | 0.014         | 25   |

|                     |                                  |                       |                              |
|---------------------|----------------------------------|-----------------------|------------------------------|
| Type<br><b>D 03</b> | Rated Voltage<br><b>AC 440 V</b> | Size<br><b>M 30x2</b> | Standard<br><b>DIN 49522</b> |
|---------------------|----------------------------------|-----------------------|------------------------------|

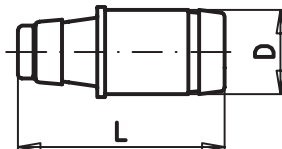
| Rated Current [A] | Part No.      | Weight [kg/1] | Pack |
|-------------------|---------------|---------------|------|
| 80                | 10 029 07.80  | 0.042         | 25   |
| 100               | 10 029 07.100 | 0.042         | 25   |

Type **D 01**



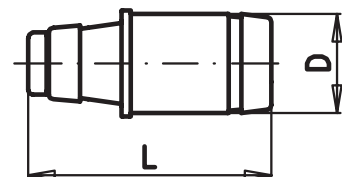
**D** 0.43" (11 mm)  
**L** 1.42" (36 mm)

Type **D 02**



**D** 0.60" (15.3 mm)  
**L** 1.42" (36 mm)

Type **D 03**



**D** 0.90" (22.5 mm)  
**L** 1.70" (43 mm)

