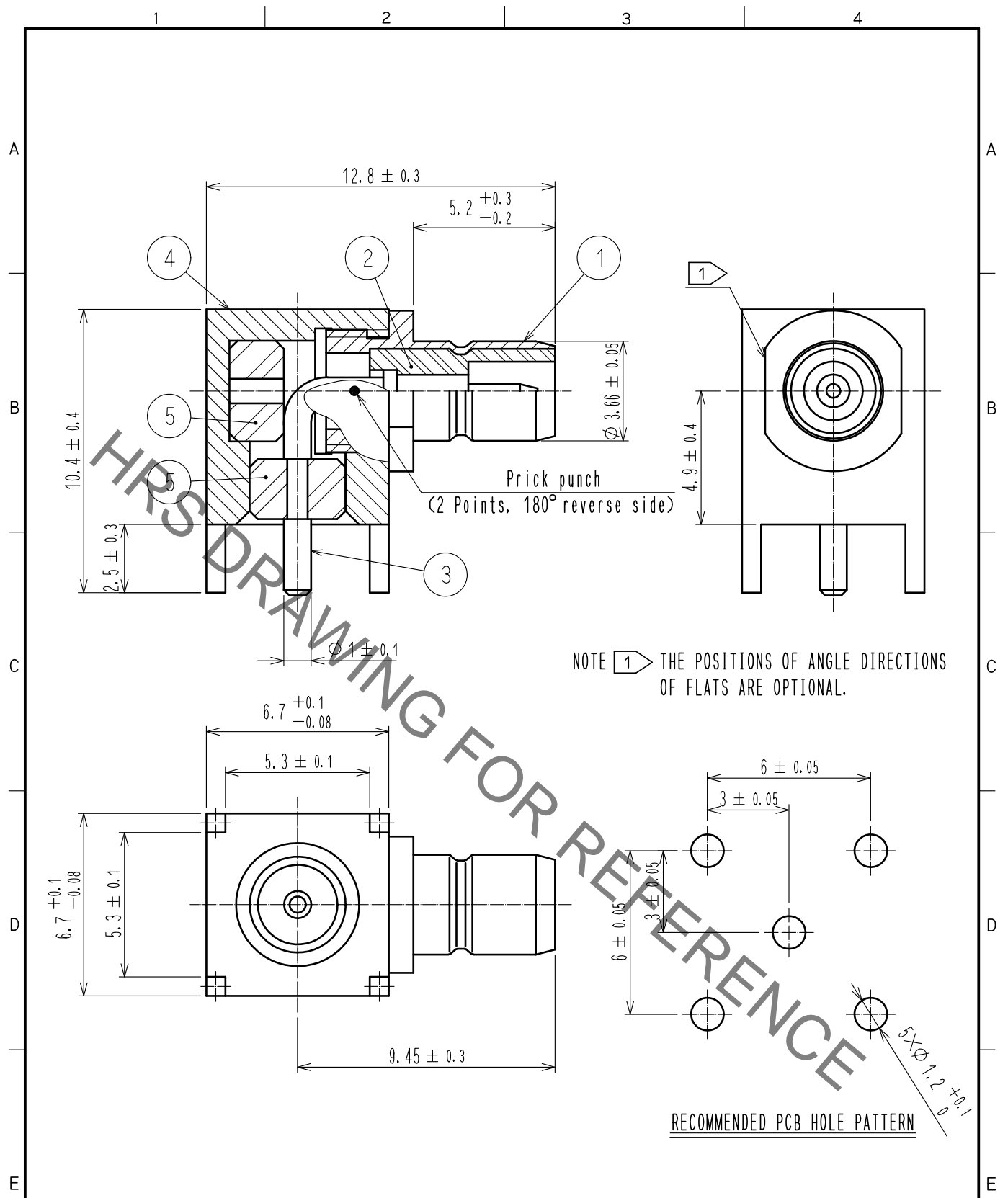


Dec.1.2022 Copyright 2022 HIROSE ELECTRIC CO., LTD. All Rights Reserved.  
 In case of consideration for using Automotive equipment / device which demand high reliability, kindly contact our sales window correspondents.



3	BRASS	GOLD PLATING		5	PTFE	
2	PTFE			4	BRASS	NICKEL PLATING
1	BRASS	NICKEL PLATING				
NO.	MATERIAL	FINISH . REMARKS		NO.	MATERIAL	FINISH . REMARKS
UNITS mm		SCALE 5 : 1	COUNT 	DESCRIPTION OF REVISIONS		DESIGNED
HIROSE ELECTRIC CO., LTD.		APPROVED : NK. NINOMIYA	20220111	DRAWING NO.		EDC-023876-40-00
		CHECKED : NK. NINOMIYA	20220111	PART NO.		UM-LR-PC-4(40)
		DESIGNED : MT. KANEKO	20220107	CODE NO.		CL0318-0150-6-40
		DRAWN : NK. OOSHIMA	20220107			1/1