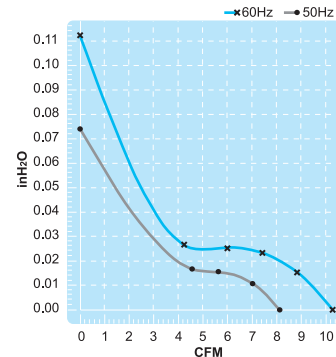
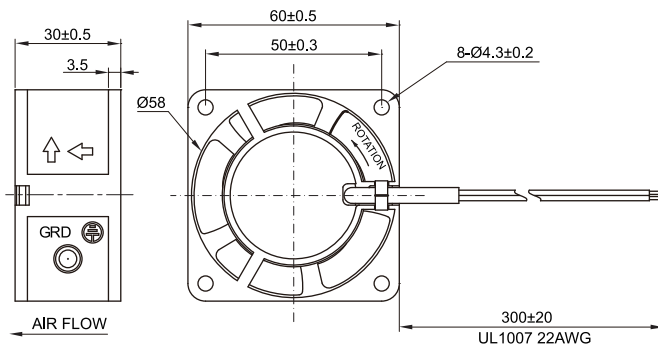


UF60D Series

Size : 60 x 60 x 30

Unit : mm



Lead Wire Type Only

Impedance-Protected



Spec.	Rated Voltage	Frequency	Input Power	Rated Current	Locked Current	Speed	Maximum Air Flow	Maximum Air Flow	Maximum Pressure	Maximum Pressure	Noise	Weight
Model	V	Hz	W	A	A	RPM	m ³ /min.	CFM	mmH ₂ O	InchH ₂ O	dB	kg
UF60D10-H	100V	50	5	0.050	0.055	2400	0.23	8.10	1.8	0.07	27	0.14
		60	4	0.040	0.045	3000	0.29	10.24	2.8	0.11	28	
UF60D11-H	115V	50	5	0.042	0.042	2400	0.23	8.10	1.8	0.07	27	0.14
		60	4	0.035	0.040	3000	0.29	10.24	2.8	0.11	28	
UF60D20-H	200V	50	5	0.025	0.027	2400	0.23	8.10	1.8	0.07	27	0.14
		60	4	0.020	0.022	3000	0.29	10.24	2.8	0.11	28	
UF60D23-H	230V	50	5	0.040	0.022	2400	0.23	8.10	1.8	0.07	27	0.14
		60	4	0.032	0.020	3000	0.29	10.24	2.8	0.11	28	