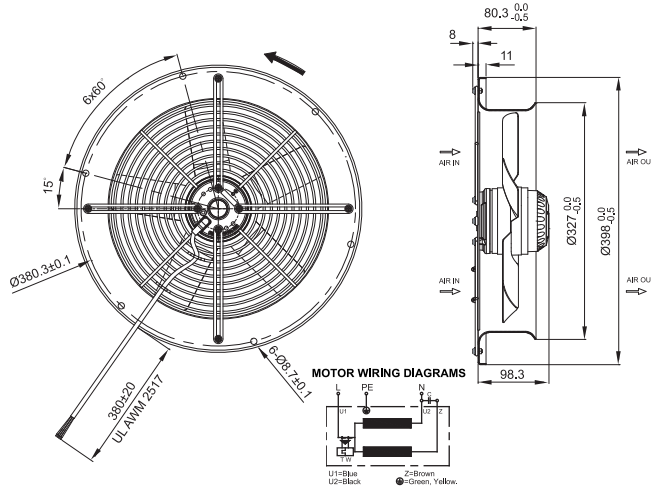


# UF300BNA Series

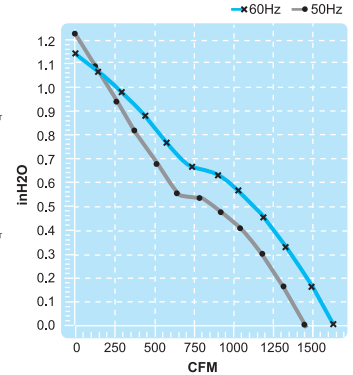
Size :  $\varnothing 398 \times 98.3$   
Unit : mm



## Thermal Protection



## (Axial Fan)



Spec.	Rated Voltage	Frequency	Input Power	Rated Current	Locked Current	Speed	Maximum Air Flow	Maximum Air Flow	Maximum Pressure	Maximum Pressure	Capacitor	Noise	Weight
Model	V	Hz	W	A	A	RPM	m <sup>3</sup> /min.	CFM	mmH <sub>2</sub> O	InchH <sub>2</sub> O	μF/VDB	dB	kg
UF300BNA11H1C2A	115V	50	150	1.6	3.15	2650	40.6	1435	31	1.2	20/250	75	4.5
		60	200	2.4	3.10	2950	45.7	1615	29	1.1		78	
UF300BNA23H1C2A	230V	50	150	0.9	1.60	2650	40.6	1435	31	1.2	5/450	75	4.5
		60	200	1.2	1.56	2950	45.7	1615	29	1.1		78	