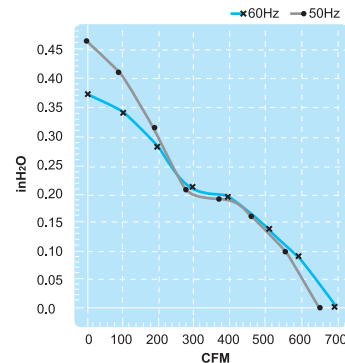
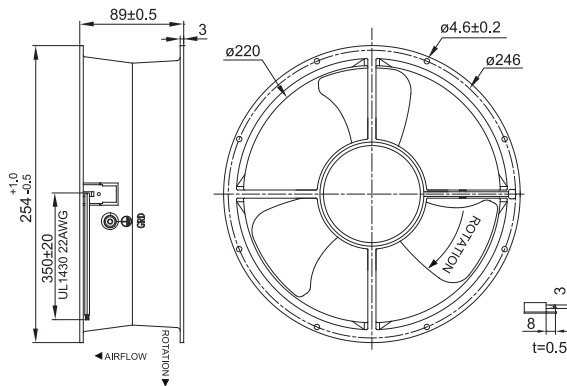


UF25G(CA) Series

Size : $\varnothing 254 \times 89$

Unit : mm



Thermally-Protected

Terminal or Lead Wire Type



Spec.	Rated Voltage	Frequency	Input Power	Rated Current	Locked Current	Speed	Maximum Air Flow	Maximum Air Flow	Maximum Pressure	Maximum Pressure	Noise	Weight
Model	V	Hz	W	A	A	RPM	m ³ /min.	CFM	mmH ₂ O	InchH ₂ O	dB	kg
UF25GCA11-H	115V	50	60	0.51	0.71	2500	18.5	650	11.7	0.46	61	1.9
		60	75	0.66	0.70	2600	19.3	680	9.40	0.37	62	
UF25GCA23-H	230V	50	60	0.25	0.36	2500	18.5	650	11.7	0.46	61	1.9
		60	75	0.35	0.36	2600	19.3	680	9.40	0.37	62	