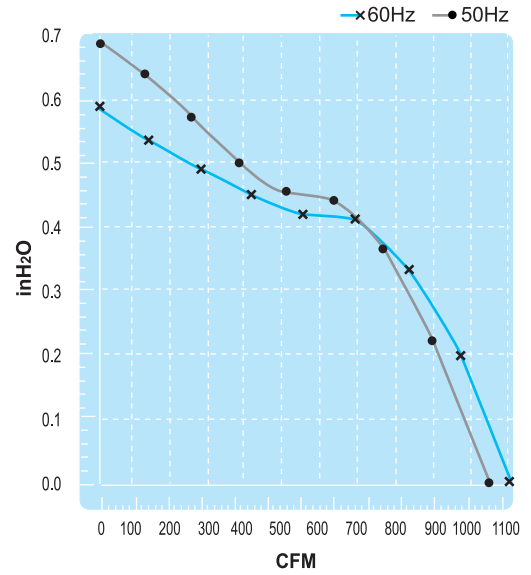
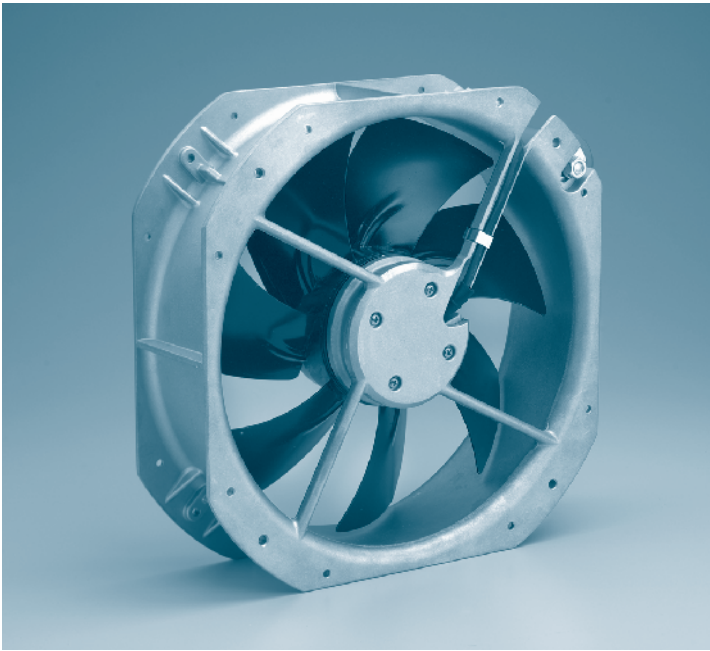
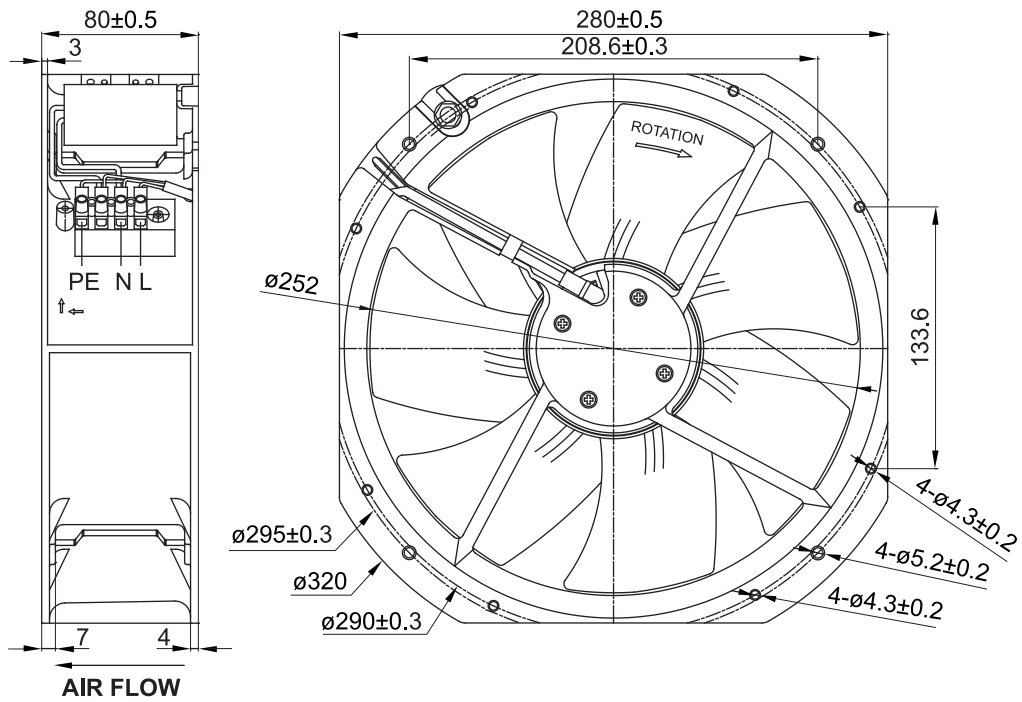


UF250BMA Series

(Axial Fan)



Thermal Protection



Spec.	Rated Voltage	Frequency	Input Power	Rated Current	Locked Current	Speed	Maximum Air Flow	Maximum Air Flow	Maximum Pressure	Maximum Pressure	Capacitor	Noise	Weight
Model	V	Hz	W	A	A	RPM	m ³ /min.	CFM	mmH ₂ O	InchH ₂ O	μF/VDB	dB	kg
UF250BMA11H1C2A	115V	50	120	1.50	1.90	2400	29.8	1050	17.8	0.70	12/250	70	2.8
		60	157	1.20	1.90	2600	31.2	1100	15.0	0.59		71	
UF250BMA23H1C2A	230V	50	119	0.52	0.83	2400	29.8	1050	17.8	0.70	4/450	70	2.8
		60	158	0.71	0.87	2600	31.2	1100	15.0	0.59		71	