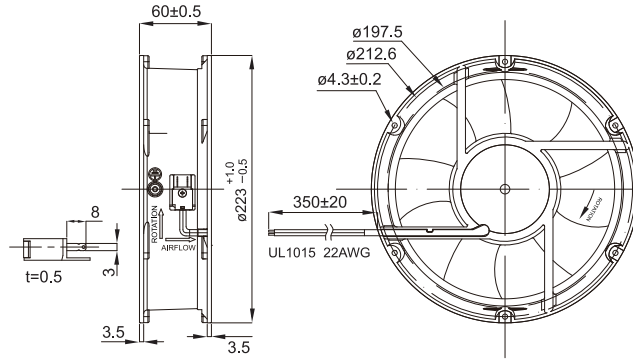


UF22F Series

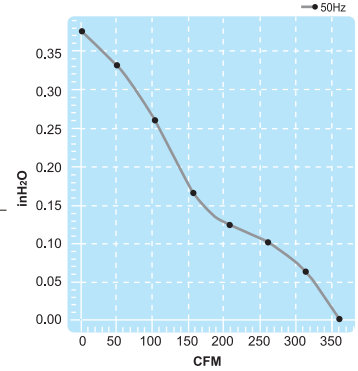
Size : $\varnothing 223 \times 60$
Unit : mm



Thermally-Protected



Terminal or Lead Wire Type



Spec. Model	Rated Voltage V	Frequency Hz	Input Power W	Rated Current A	Locked Current A	Speed RPM	Maximum Air Flow m ³ /min.	Maximum Air Flow CFM	Maximum Pressure mmH ₂ O	Maximum Pressure InchH ₂ O	Noise dB	Weight kg
UF22F23-H	230V	50	47	0.35	0.56	2700	11	400	10.9	0.43	57	1.5