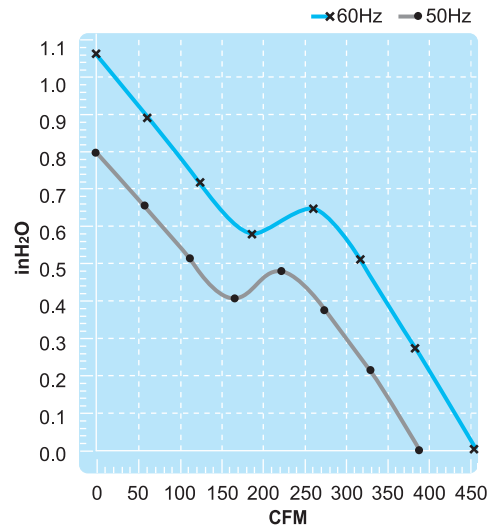
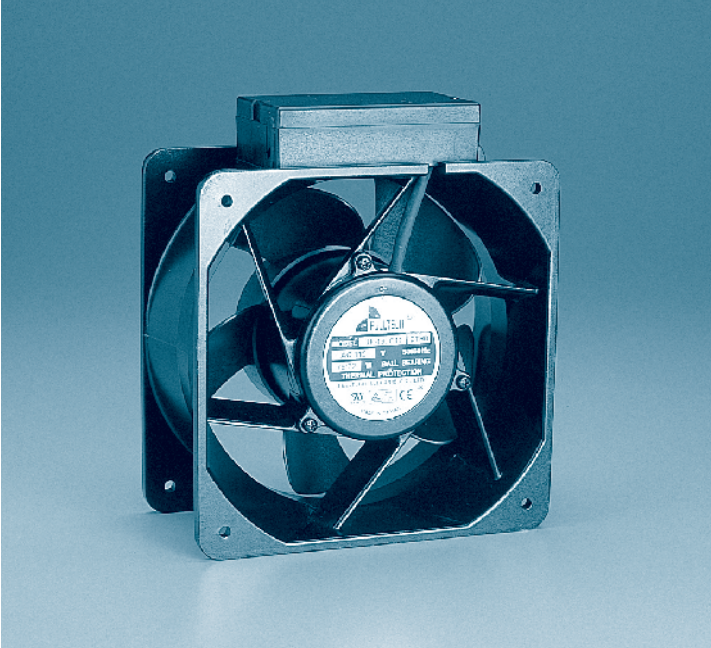
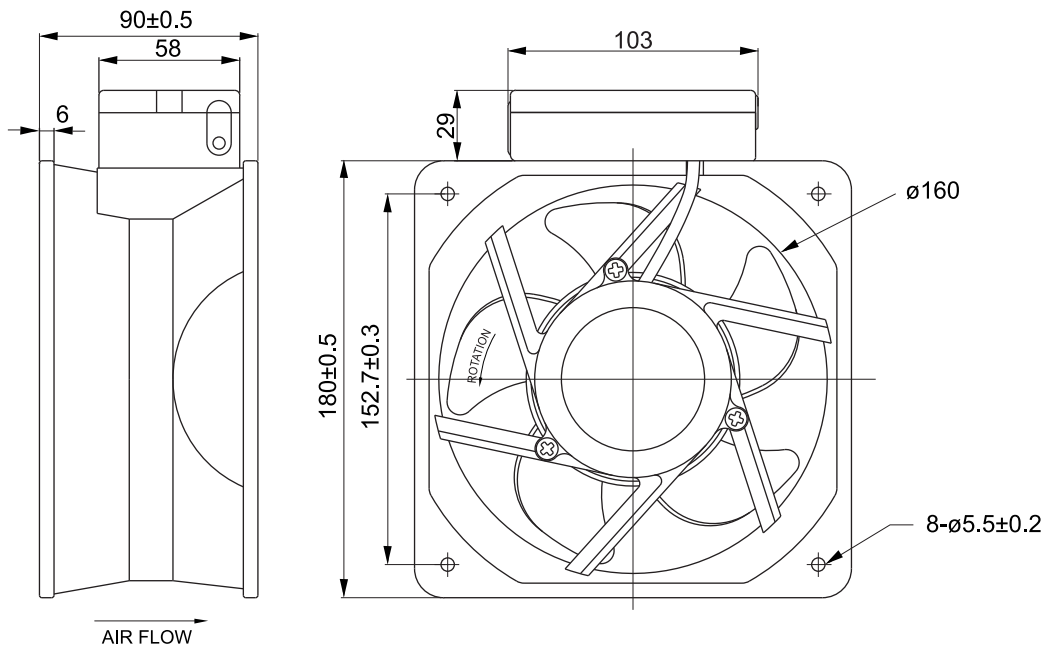


# UF18J(C) Series

Size : 180 x 180 x 90  
Unit : mm



## Thermal Protection



## Terminal



Spec. Model	Rated Voltage V	Frequency Hz	Input Power W	Rated Current A	Locked Current A	Speed RPM	Maximum Air Flow m <sup>3</sup> /min.	Maximum Air Flow CFM	Maximum Pressure mmH <sub>2</sub> O	Maximum Pressure InchH <sub>2</sub> O	Noise dB	Weight kg
UF18JC10-H	100V	50	78	1.05	2.05	2850	11	390	20	0.78	54	2.2
		60	72	0.77	2.30	3400	13	460	27	1.06	59	
UF18JC11-H	115V	50	78	0.88	2.00	2850	11	390	20	0.78	54	2.2
		60	72	0.63	2.01	3400	13	460	27	1.06	59	
UF18JC20-H	200V	50	75	0.48	0.97	2850	11	390	20	0.78	54	2.2
		60	72	0.38	0.98	3400	13	460	27	1.06	59	
UF18JC23-H	230V	50	75	0.42	1.00	2850	11	390	20	0.78	54	2.2
		60	72	0.31	1.01	3400	13	460	27	1.06	59	