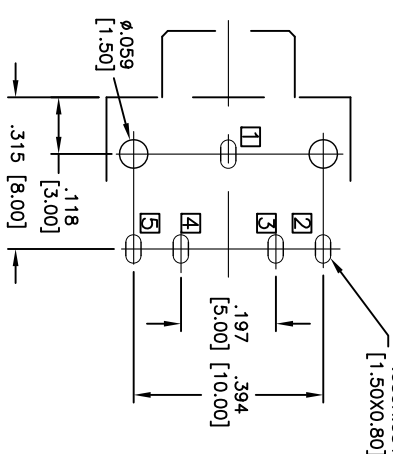
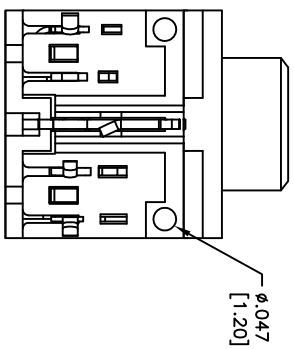
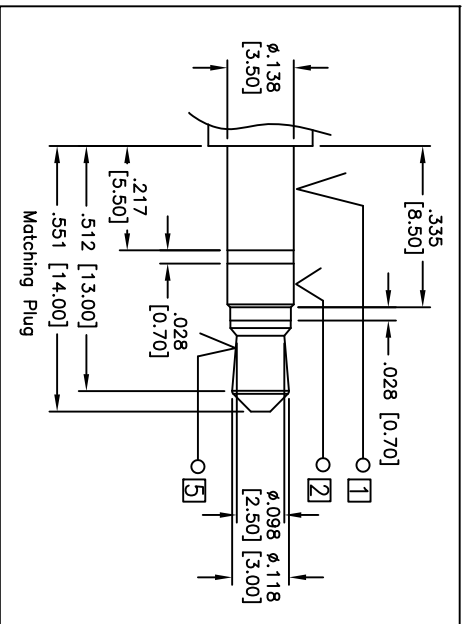
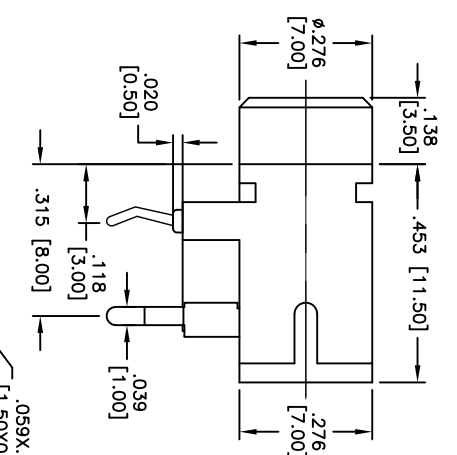
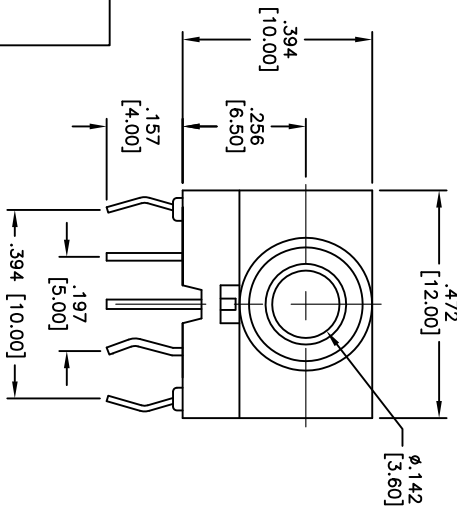


APPROVED: \_\_\_\_\_  
 DATE: \_\_\_\_\_ TITLE: \_\_\_\_\_

Rev	AWO #	Description	Date	Appr
-		RELEASED	12/10/04	
A		REDRAWN	8/30/10	
B		ADDED SHAPE	6/28/13	



RECOMMENDED PCB LAYOUT

ADAM P/N	ASJ-6-5	ASJ-6-4B	ASJ-6-3A	ASJ-6-3	ASJ-6-2	ASJ-6-4A
SCHEMATIC						

**SPECIFICATIONS:**  
 Material:  
 Insulator: PBT, rated UL 94V-0  
 Insulator color: Black  
 Contacts: Copper Alloy, Tin plated.  
 Electrical:  
 Operating voltage: 30 VDC max.  
 Current rating: 0.5 Amp max.  
 Contact resistance: 30 mohms max.  
 Insulation resistance: 100 Mohms min.  
 Dielectric withstanding voltage: 500 VAC for 1 minute  
 Temperature Rating:  
 Operating temperature: -20°C to +70°C  
 Environmental:  
 Lead free, RoHS compliant.



**ADAM TECH**  
 909 Rahway Avenue, Union, NJ 07083  
 Phone: 908-687-5000 Fax: 908-687-5710

TITLE  
 STEREO PHONE JACK, 3.5mm

UNLESS OTHERWISE SPECIFIED ALL DIMENSIONS ARE INCHES [MM] TOLERANCES: EXCEPT AS NOTED INCHES		HOLES		DATE	
.X	± .10	ØX	± .10	DATE	
.XX	± .020	ØXX	± .015		
.XXX	± .015	ØXXX	± .010		
APPROVALS		DATE			
DRAWN	SS	10/4/04			
CHECKED	AY	8/30/10			
APPROVED					
SIZE		PART NO.		REV.	
X		ASJ-6-XX		B	
REF: S0002C		SCALE: NTS		SHEET 1 OF 1	