

# MODULAR CONNECTORS

CL 222 TM

## Six-conductor plug with straight cover

### Material · Finish

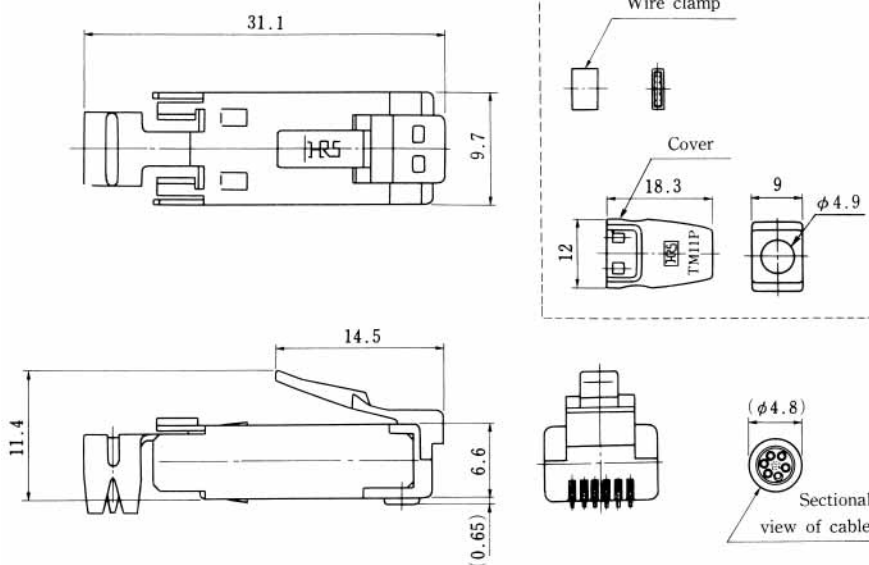
| Part name | Material        | Finish      |
|-----------|-----------------|-------------|
| Plug case | Polycarbonate   | Clear       |
| Terminal  | Phosphor Bronze | Gold plated |
| Cover     | Polycarbonate   | Beige       |

| Applicable Cable   |                       |
|--------------------|-----------------------|
| Conductor diameter | Copper foil or AWG#26 |
| Insulator diameter | 0.9 ~ 1.0             |

### Electrical Performance

| Item                  | Condition | Specification |
|-----------------------|-----------|---------------|
| Current rating        | Per pin   | 0.5A          |
| Voltage rating        | Per pin   | 125V AC       |
| Insulation Resistance | 100V DC   | 100 M Min.    |
| Withstanding Voltage  | 1 minute  | 500V r.m.s AC |

TM11P-66P( \* \* )



| CL No.        | Part No.        | Cover Color | RoHS |
|---------------|-----------------|-------------|------|
| 222-2149-9-50 | TM11P-66P( 50 ) | Beige       | YES  |
| 222-2149-9-53 | TM11P-66P( 53 ) | Black       |      |

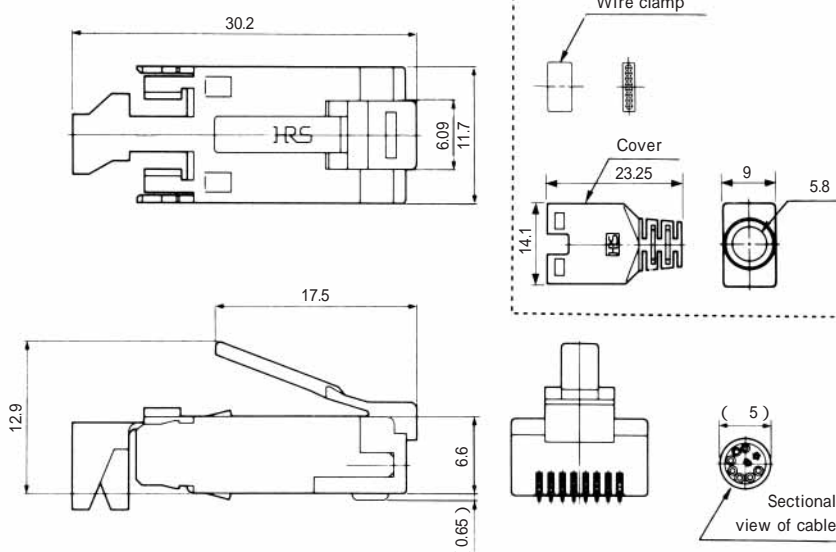
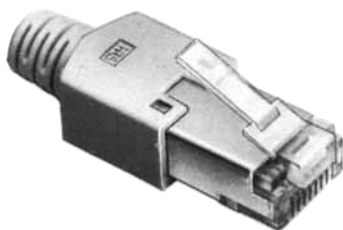
( Number of plugs in package : 100 )

# MODULAR CONNECTORS

CL 222 TM

## Eight-conductor plug with straight cover

TM11AP-88P( \*\* )



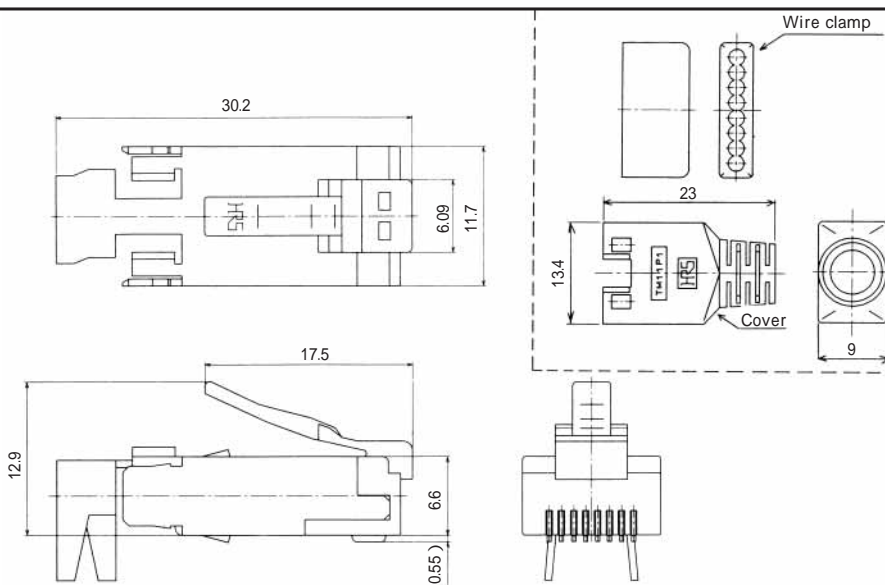
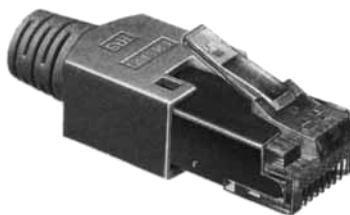
| CL No.        | Part No.         | Cover color        | RoHS |
|---------------|------------------|--------------------|------|
| 222-2780-6    | TM11AP-88        | Beige              | YES  |
| 222-2780-6-02 | TM11AP-88P( 02 ) | Medium gray        |      |
| 222-2780-6-03 | TM11AP-88P( 03 ) | Black              |      |
| 222-2780-6-04 | TM11AP-88P( 04 ) | Natural light gray |      |

Note: This plug is NOT intended to be used for gang-jack.

( Number of plugs in package:100 )

## Eight-conductor thin straight plug with cover (For gang-jack)

TM11AP1-88P( \* \* )



| CL No.        | Part No.          | Cover color        | RoHS |
|---------------|-------------------|--------------------|------|
| 222-2782-1    | TM11AP1-88P       | Light beige        | YES  |
| 222-2782-1-02 | TM11AP1-88P( 02 ) | Medium gray        |      |
| 222-2782-1-03 | TM11AP1-88P( 03 ) | Black              |      |
| 222-2782-1-04 | TM11AP1-88P( 04 ) | Natural light gray |      |
| 222-2782-1-05 | TM11AP1-88P( 05 ) | Red                |      |
| 222-2782-1-06 | TM11AP1-88P( 06 ) | Green              |      |
| 222-2782-1-07 | TM11AP1-88P( 07 ) | Blue               |      |
| 222-2782-1-08 | TM11AP1-88P( 08 ) | Yellow             |      |
| 222-2782-1-09 | TM11AP1-88P( 09 ) | Orange             |      |

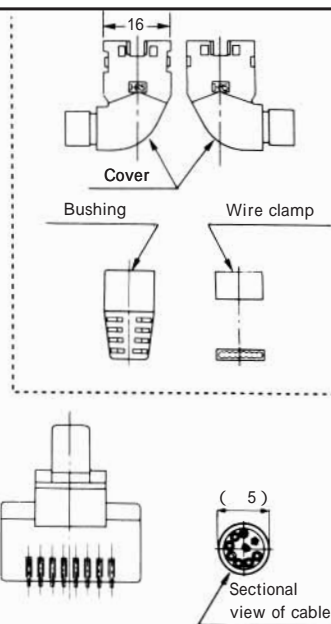
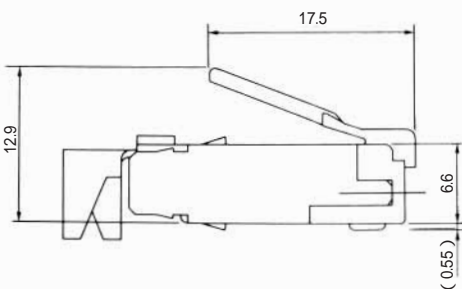
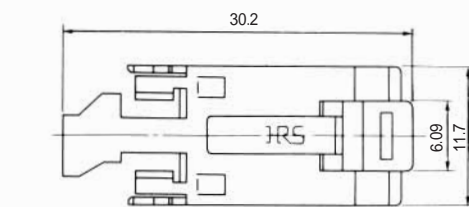
( Number of plugs in package:100 )

# MODULAR CONNECTORS

CL 222 TM

## L-shaped 8-conductor plug with cover

TM11APA-88P( \*\* )



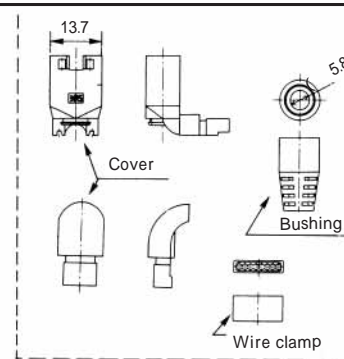
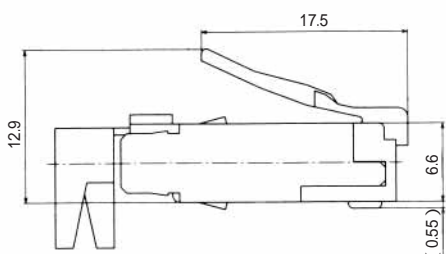
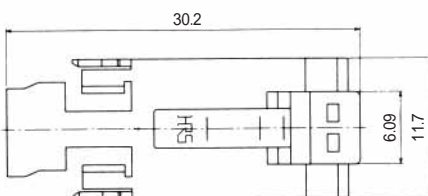
| CL No.        | Part No.        | Cover Color | RoHS |
|---------------|-----------------|-------------|------|
| 222-2781-9    | TM11APA-88P     | Light beige | YES  |
| 222-2781-9-03 | TM11APA-88P(03) | Black       |      |

(Number of plugs in package:100)

## T-shaped 8-conductor plug with cover

TM11APA1-88P( \*\* )

| CL No.     | Part No.     | RoHS |
|------------|--------------|------|
| 222-2783-4 | TM11APA1-88P | YES  |



Note:Cover standard color is light beige

(Number of plugs in package:100)

# MODULAR CONNECTORS

CL 222 TM

## PLUG WIRING TOOL

| Jig<br>Plug              | Cable Cramp Jig |                             | Terminal Crimping Jig |                         |
|--------------------------|-----------------|-----------------------------|-----------------------|-------------------------|
|                          | CL No.          | Product No.                 | CL No.                | Product No.             |
| TM11P <sup>r</sup> J-66P |                 | TM11P66P cable crimping     | 901-0938-4            | Applicator 105TM11P-66P |
|                          | 902-0132-8      | Hand press HOS-7            | 901-0005-4            | Model 105 crimping tool |
| TM11P <sup>r</sup> J-88P | 902-0077-1      | TM11P88P cable crimping jig | 901-0221-0            | Applicator 105TM11P-88P |
|                          | 902-0132-8      | Hand press HOS-7            | 901-0005-4            | Model 105 crimping tool |

## PLUG ASSEMBLY DRAWING

