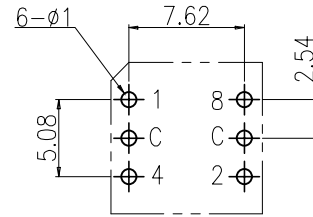


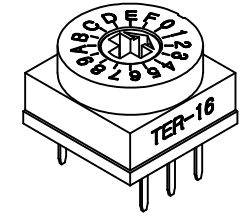
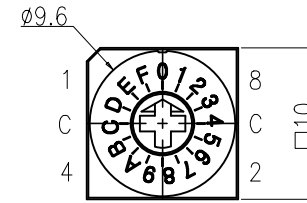
REV NO.	DATE	REVISION	DR	CH	APP
△	23.10.24	DIN ISO-2768-1m tolerance applied	H.S LEE	K.N KIM	W.J LEE

## SPECIFICATION

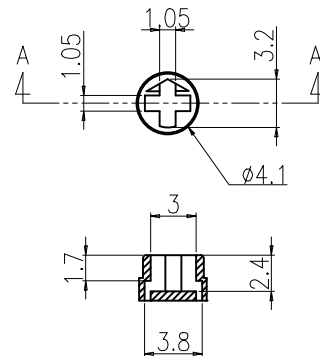
- Rating : 150mA, DC 42V (Switching)  
200mA, DC 42V (None-Switching)
- Contact Resistance : 80mΩ Max
- Insulation Resistance : 100MΩ Min at DC 250V
- Operating Force : 700gf Max
- Life cycle : 10,000 steps
- Packing : 50pcs Tube



P.C.B DIMENSION (Top View)

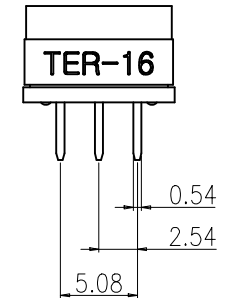
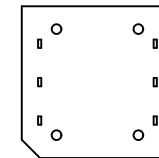
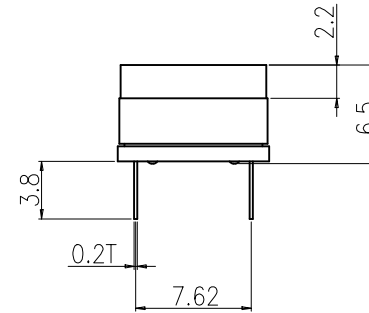


		Real Coded					
		C	1	2	4	8	
16 P o s i t i o n	0	●					0
	1	●	●				1
	2	●		●			2
	3	●	●	●			3
	4	●			●		4
	5	●	●		●		5
	6	●		●	●		6
	7	●	●	●			7
	8	●				●	8
	9	●	●			●	9
	10	●		●		●	A
	11	●	●	●		●	B
	12	●			●	●	C
	13	●	●		●	●	D
	14	●		●	●	●	E
	15	●	●	●	●	●	F



Section A-A'

ACTUATOR



Din ISO-2768-1m					
Ranges	0.5~3	3~6	6~30	30~120	120~400
Tolerance	±0.1	±0.1	±0.2	±0.3	±0.5

DRAW/DESIGNED	CHECKED	APPROVED	G.TOL	TITLE	ROTARY DIP SWITCH	
J.S YANG	W.J LEE	K.I LEE	±0.3		TER-16	REV.
2021-10-08	2021-10-08	2021-10-08	UNIT	SCALE	MODEL NO.	
			mm	N:S	TER-16-04	
			SIZE	DRAW NO.		04
			A4			

**SUNGMUN ELECTRONICS CO.,LTD**