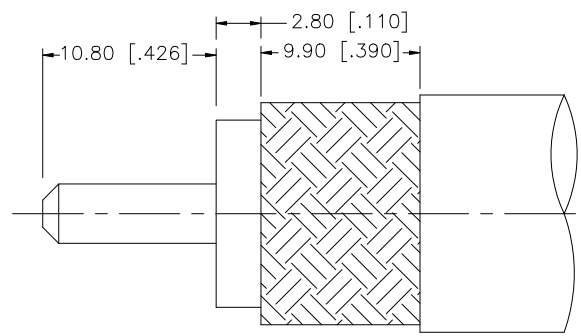
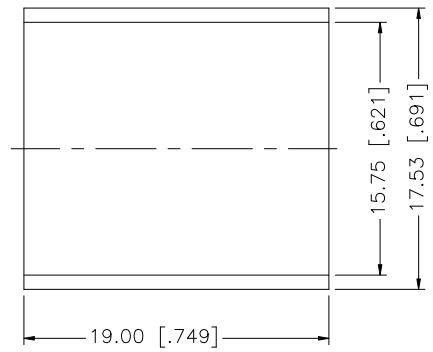
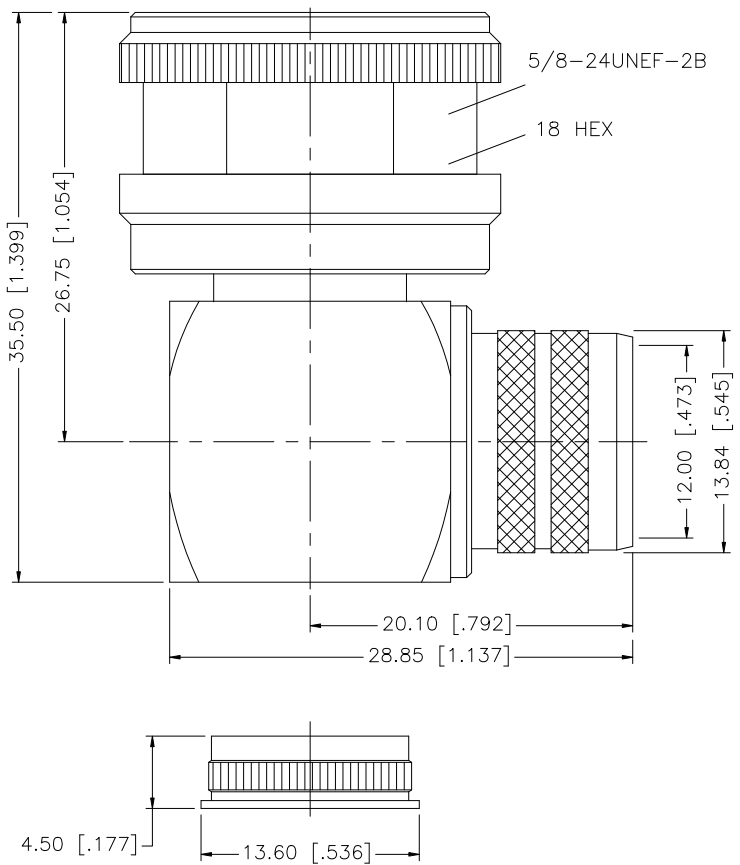


REV.	DATE	DESCRIPTION
NC	10/27/07	INITIAL RELEASE



RECOMMENDED
CABLE STRIPPING DIM'S

- NOTE:
1. CRIMPED FERRULE HEX CRIMP SIZE .600"
 2. CONTACT PIN TO SOLDER.

QTY	DESCRIPTION	MATERIAL	FINISH
1	BODY	BRASS	GOLD
1	INSULATOR	TEFLON	NATURAL
1	CONTACT PIN	BRASS	GOLD
1	COVER	BRASS	GOLD
1	FERRULE	COPPER	GOLD

UNLESS OTHERWISE SPECIFIED DIMENSIONS ARE IN MILLIMETERS. DIMENSIONS IN [] ARE IN INCHES AND FOR CUSTOMER REFERENCE ONLY.

UNLESS OTHERWISE SPECIFIED TOLERANCES FOR MILLIMETERS ARE:
0.5 - 8mm ± 0.20mm
8 - 30mm ± 0.40mm
30 - 120mm ± 0.50mm

UNLESS OTHERWISE SPECIFIED TOLERANCES FOR INCHES ARE:
.020 - .315 = ± 0.007"
.315 - 1.180 = ± 0.015"
1.180 - 4.724 = ± 0.020"

DO NOT SCALE DRAWING

APPROVALS	DATE
DRAWN G.R.S.	10/27/07
CHECKED	
ISSUED	
SHEET 1 OF 1	
CAD FILE	C:/172/172263-10G.DWG

Amphenol Connex

PART DESCRIPTION
**N R/A DIRECT CRIMP PLUG - SP. HEX NUT
(FOR LMR-600 CABLE)**

PART NO. **172263-10G**

DWG. NO. 172263-10G.DWG	REV. NC	SIZE A	SCALE NA
-------------------------	---------	--------	----------