

Thyristors type T61 are of modern design with internal spring loaded contacts, high alumina ceramic insulator and pressure welding encapsulation. Designed for use in power electronic circuits and equipment under normal operating conditions.

**KEY PARAMETERS**

<b><math>U_{DRM}, U_{RRM}</math></b>	<b>up to 2000 V</b>
<b><math>I_{T(AV)}</math></b>	<b>200 A</b>
<b><math>I_{TSM}</math></b>	<b>4200 A</b>
<b><math>du/dt^*</math></b>	<b>1000 V/<math>\mu</math>s</b>
<b><math>di/dt</math></b>	<b>100 A/<math>\mu</math>s</b>

\* maximum (non standard) value

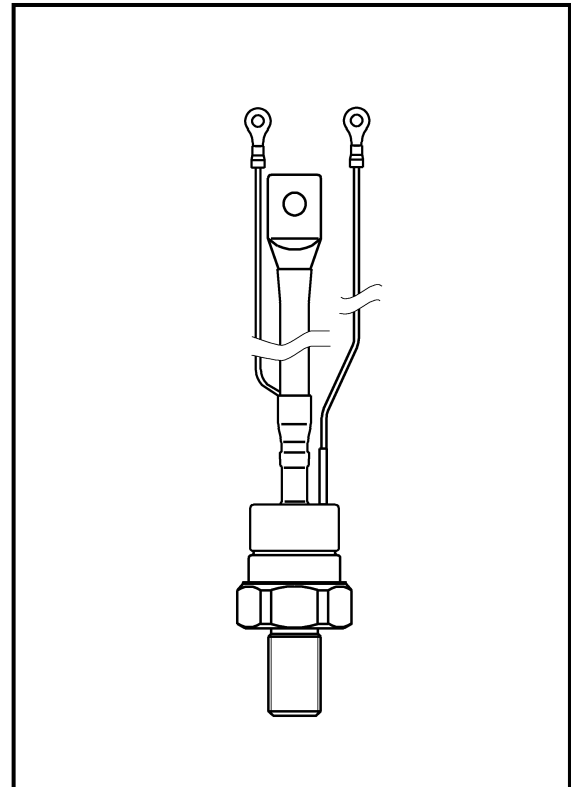
**FEATURES**

- all diffused design
- high current capabilities
- high surge current capabilities
- high rates voltages
- high  $du/dt$
- low gate current
- dynamic gate
- low thermal impedance
- tested according to IEC standards
- compact size and small weight

**APPLICATION**

- High Power Drives
- DC Motor Control
- High Voltage Power Supplies

Designed for use in high power industrial and commercial power electronic circuits and equipment where high currents are encountered and high reliability is essential.



**Outline type code: JEDEC TO-209AB  
(TO-93)**

See package details for further information

**ORDERING INFORMATION**

When ordering please refer to device code builder presented below.  
 Please use the complete part number when ordering, quote or in any future correspondence relating to your order.

**T61-200-□□**



This is standard device, with no dynamic parameters specified and standard accessory set.  
 Please refer to **Electrical Parameters** if specific dynamic demands have to be met.  
 Those information, as well as any other concerning non-standard accessories e.g. stud thread, custom leads length or lead terminal connector type should be included in the order.

**ELECTRICAL PARAMETERS**

**Voltage ratings**

Voltage class	U <sub>DRM</sub> , U <sub>RRM</sub>	U <sub>DSM</sub> , U <sub>RSM</sub>	Conditions	
			I <sub>DRM</sub> , I <sub>RRM</sub>	Max. T <sub>c</sub>
	V	V	mA	°C
14	1400	1500	22	90
16	1600	1700		
18	1800	1900		
20	2000	2100		

**du/dt group codes**

Group code	du/dt
	V/μs
0	no specified value
4	200
5	320
6	500
7	1000

**Electrical properties**

Parameter		Unit	Test conditions	Value
Average on-state current	$I_{T(AV)}$	A		200
Case temperature	$T_c$	°C		90
RMS on-state current	$I_{T(RMS)}$	A		315
Surge current	$I_{TSM}$	A	$T_j=125^\circ\text{C}$ , $U_R=0,8U_{RRM}$ , $t_p=10\text{ms}$	4200
$I^2t$ – value	$I^2t$	$\text{kA}^2\text{s}$		88,2
On-state voltage max.	$U_{TM}$	V	$T_j=25^\circ\text{C}$ , $I_{TM}=625\text{A}$	1,70
Threshold voltage	$U_{T(T0)}$	V		0,91
Slope resistance	$r_T$	$\text{m}\Omega$		1,40
Latching current	$I_l$	mA	$T_j=25^\circ\text{C}$ , $U_D=12\text{V}$	800
Holding current	$I_H$	mA	$T_j=25^\circ\text{C}$ , $U_D=12\text{V}$	160
Circuit commutated turn-off time (typical)	$t_q$	$\mu\text{s}$	$T_j=125^\circ\text{C}$ , $I_{TM}=150\text{A}$ , $di_R/dt=12,5\text{A}/\mu\text{s}$ , $du/dt=20\text{V}/\mu\text{s}$ , $U_D=0,67U_{DRM}$ , $U_{RM}=100\text{V}$	150
Turn-On time (typical)	$t_{on}$	$\mu\text{s}$	$I_{TM}=100\text{A}$ , $U_{DM}=100\text{V}$	10
Rate of rise of on-state current-repetitive	$di/dt$	$\text{A}/\mu\text{s}$	$T_j=125^\circ\text{C}$ , $I_{TM}=3I_{T(AV)}$ , $U_D=0,67U_{DRM}$ , $f=50\text{Hz}$ , $I_{GM}=1\text{A}$ , $di_G/dt=1\text{A}/\mu\text{s}$	100
Critical rate of raise of off-state voltage	$du/dt$	$\text{V}/\mu\text{s}$	$T_j=125^\circ\text{C}$ , $U_D=0,67U_{DRM}$ ,	200 - 1000
Gate current to trigger	$I_{GT}$	mA	$T_j=25^\circ\text{C}$ , $U_D=12\text{V}$	150
Gate voltage to trigger	$U_{GT}$	V	$T_j=25^\circ\text{C}$ , $U_D=12\text{V}$	3

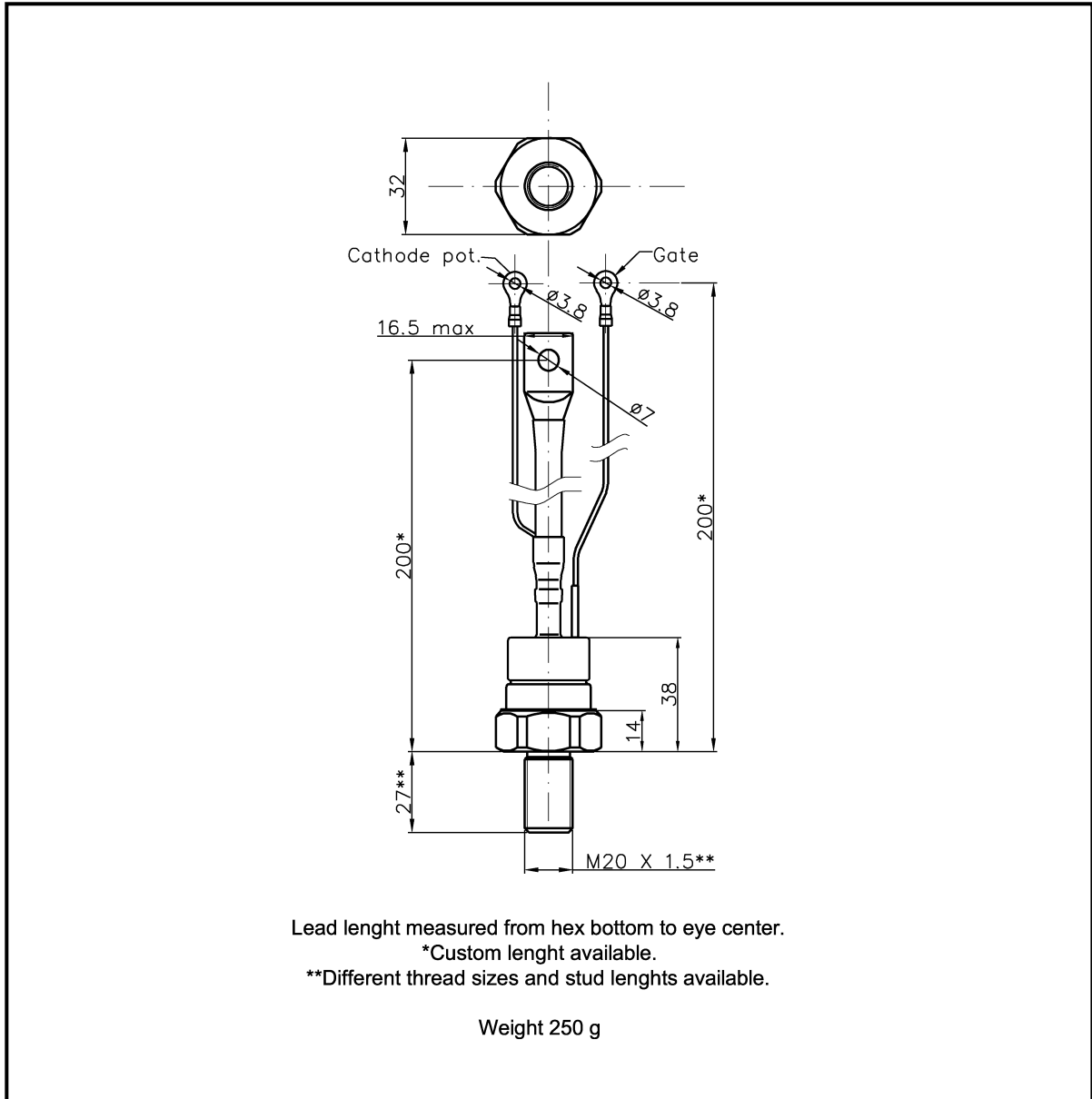
**Thermal properties**

Parameter		Unit	Test conditions	Value
Thermal resistance, junction to case	$R_{thJC}$	°C/W	DC	0,10
Thermal resistance, case to heatsink	$R_{thCS}$	°C/W		0,075
Operating junction temperature	$T_{jmin} \dots T_{jmax}$	°C		-40...+125
Storage temperature	$T_{stg}$	°C		-40...+125

**Mechanical properties**

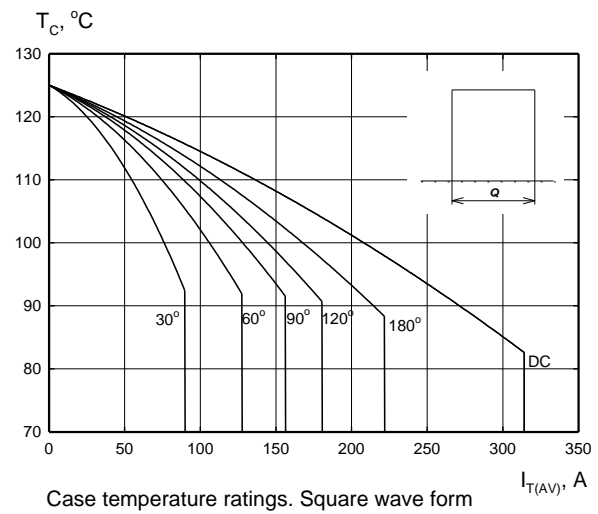
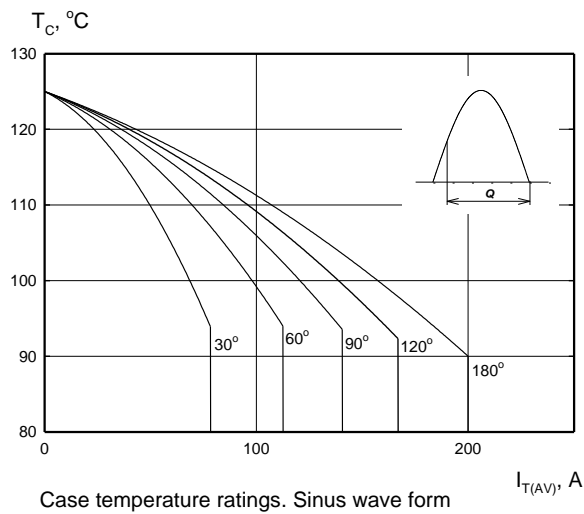
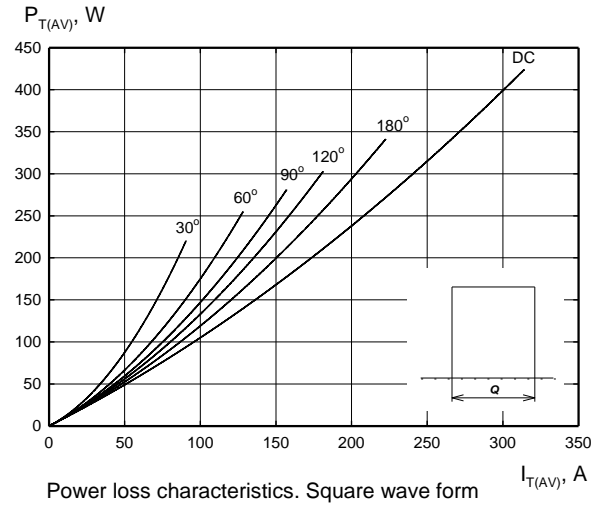
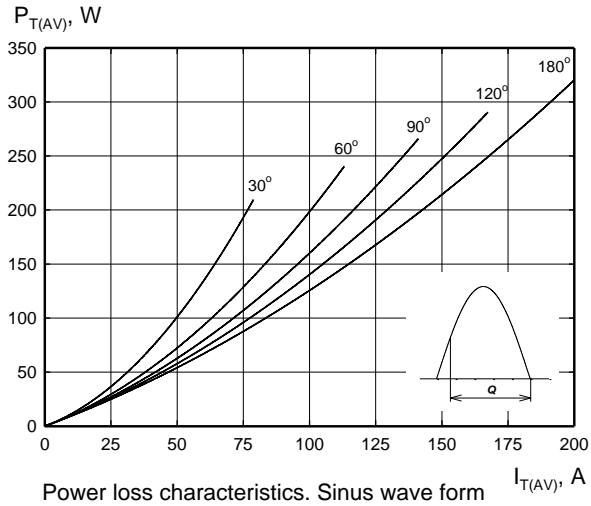
Parameter		Unit	Value
Mounting torque	M	Nm	28 ... 32
Weight	m	g	250

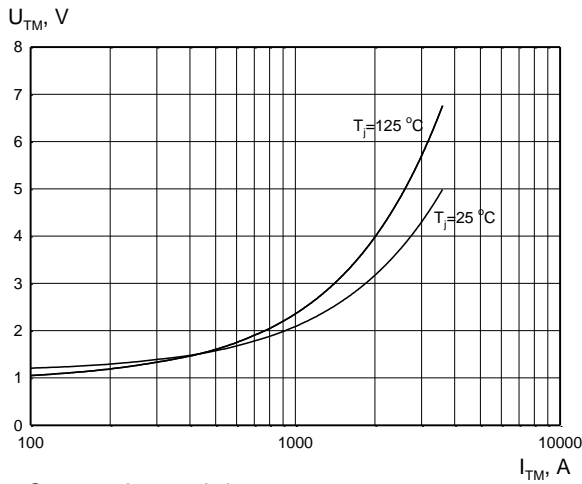
**Package details**



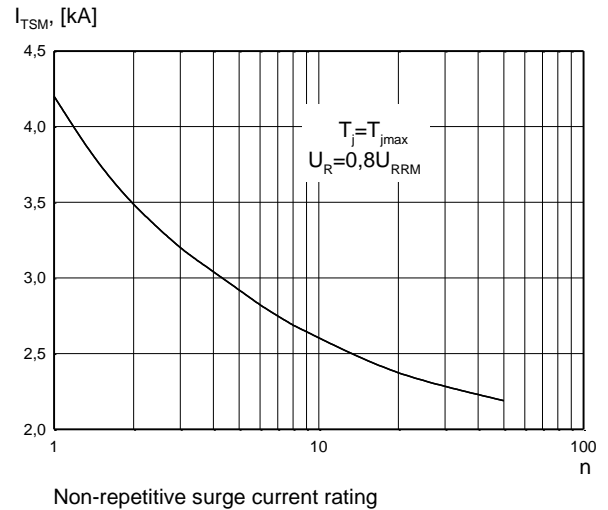
For further package information, please contact Sales & Marketing Department. All dimensions in mm, unless stated otherwise.  
Do not scale.

**CHARACTERISTICS**

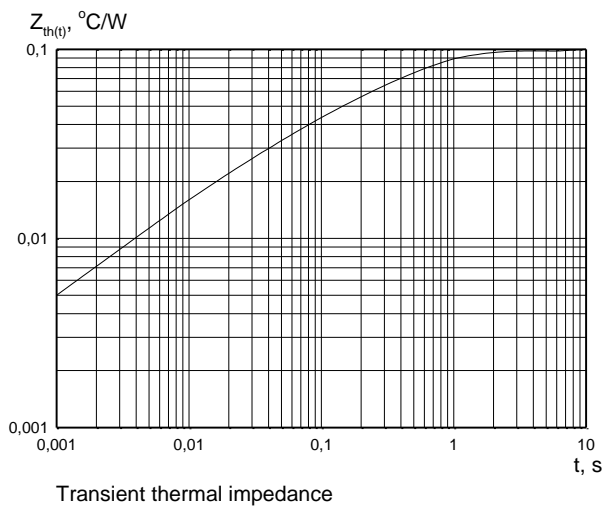




On-state characteristic

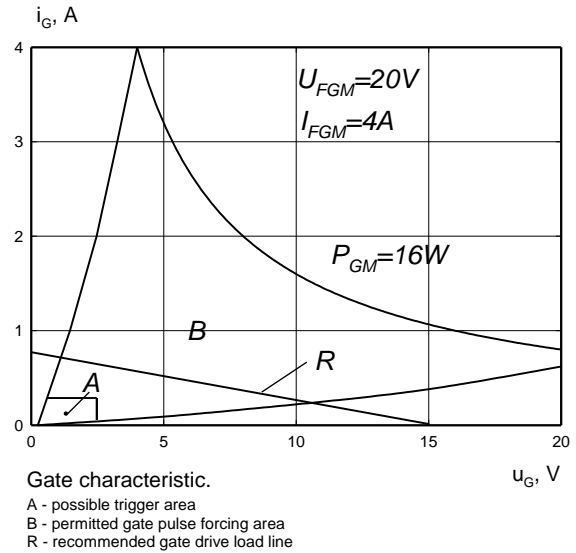
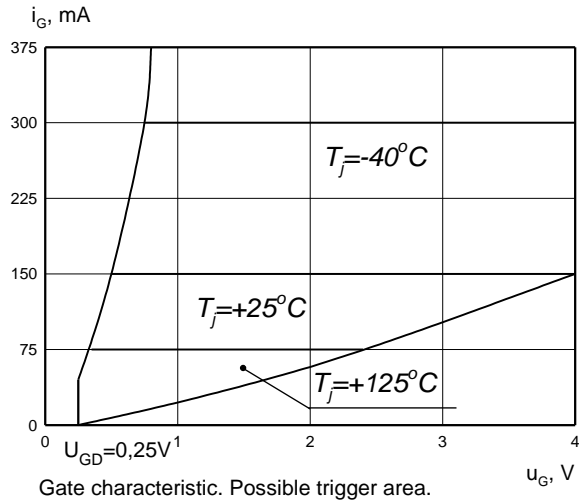


Non-repetitive surge current rating



Transient thermal impedance

**Gate characteristics**



**HEATSINKS**

KUBARA LAMINA SA has its own proprietary range of extruded aluminium heatsinks designed to optimise the performance of our semiconductors with natural and forced air flow. High efficiency water cooled copper heatsinks are also available.

**POWER ASSEMBLY CAPABILITY**

KUBARA LAMINA SA provides a support for those customers requiring more than a basic semiconductor and offers precisely assembled Power Blocks according to factory or customer standards.