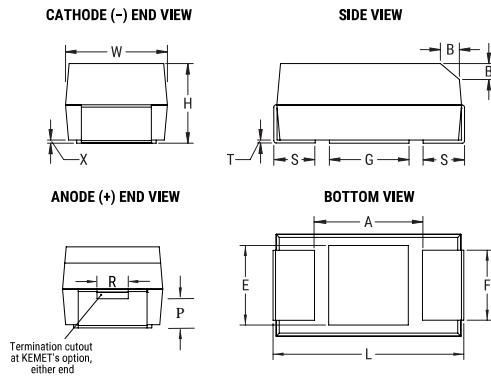


T500, Tantalum, MnO2 Tantalum, High Temperature, 33 uF, 20%, 6.3 VDC, SMD, MnO2, Molded, High Temperature, 200C, N/A, 1.8 Ohms, 6032, Height Max = 2.8mm



General Information	
Series:	T500
Dielectric:	MnO2 Tantalum
Style:	SMD Chip
Description:	SMD, MnO2, Molded, High Temperature, 200C
Features:	200C
RoHS:	Yes
Termination:	Gold
AEC-Q200:	No
Shelf Life:	156 Weeks
MSL:	1

Dimensions	
Footprint	6032
L	6mm +/-0.3mm
W	3.2mm +/-0.3mm
H	2.5mm +/-0.3mm
T	0.13mm REF
S	1.3mm +/-0.3mm
F	2.2mm +/-0.1mm
A	2.9mm MIN
B	0.5mm +/-0.15mm
E	2.4mm REF
G	2.8mm REF
P	0.9mm REF
R	1mm REF
X	0.1mm +/-0.1mm

Specifications	
Capacitance:	33 uF
Capacitance Tolerance:	20%
Voltage DC:	6.3 VDC (85C), 5.04 VDC (125C), 2.52 VDC (200C)
Temperature Range:	-55/+200°C
Rated Temperature:	85°C
Humidity:	85C, 85% RH, 0 V, 1000 Hours
Dissipation Factor:	6% 120Hz 20C
Failure Rate:	N/A
Resistance:	1800 mOhms (100kHz 20C)
Ripple Current:	247 mA (rms, 100kHz 25C), 99 mA (rms, 100kHz 125C), 25 mA (rms, 100kHz 200C)
Leakage Current:	2.1 uA (5min 20°C)

Packaging Specifications	
Packaging:	T&R, 178mm
Packaging Quantity:	500

Statements of suitability for certain applications are based on our knowledge of typical operating conditions for such applications, but are not intended to constitute - and we specifically disclaim - any warranty concerning suitability for a specific customer application or use. This Information is intended for use only by customers who have the requisite experience and capability to determine the correct products for their application. Any technical advice inferred from this Information or otherwise provided by us with reference to the use of our products is given gratis, and we assume no obligation or liability for the advice given or results obtained.