

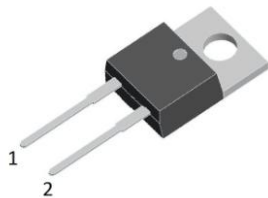
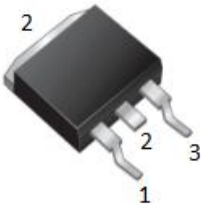
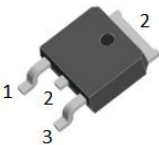
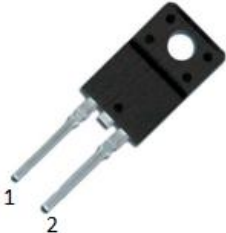
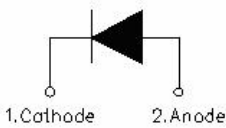
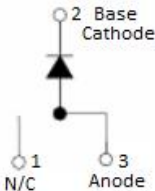
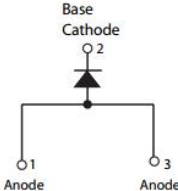
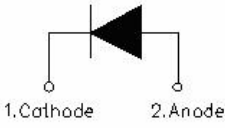
## ST8150/STB8150/STF8150/STD8150 SCHOTTKY RECTIFIER

### Applications

- Switching power supply
- Converters
- Free-Wheeling diodes
- Reverse battery protection

### Features

- 150 °C T<sub>J</sub> operation
- Center tap configuration
- Ultralow forward voltage drop
- High purity, high temperature epoxy encapsulation for enhanced mechanical strength and moisture resistance
- High frequency operation
- Guard ring for enhanced ruggedness and long term reliability
- Trench MOS Schottky technology
- This is a Pb – Free Device
- All SMC parts are traceable to the wafer lot
- Additional testing can be offered upon request

| ST8150  | STB8150   | STD8150  | STF8150   |
|---|---|--|---|
|   |  |  |   |
|  |  |  |  |
| TO-220AC  | D <sup>2</sup> PAK  | DPAK   | ITO-220AC   |

### Maximum Ratings:

| Characteristics  | Symbol   | Condition   | Max. | Units |
|--|--|---|------|-------|
| Peak Repetitive Reverse Voltage<br>Working Peak Reverse Voltage<br>DC Blocking Voltage | V <sub>RRM</sub><br>V <sub>RWM</sub><br>V <sub>R</sub> | -   | 150  | V     |
| Average Rectified Forward Current  | I <sub>F(AV)</sub>                                     | 50% duty cycle @T <sub>c</sub> =100°C,<br>rectangular wave form | 8    | A     |
| Peak One Cycle Non-Repetitive Surge Current  | I <sub>FSM</sub>                                       | 8.3ms, Half Sine pulse, T <sub>c</sub> = 25 °C                  | 130  | A     |

**Electrical Characteristics:**

| Characteristics       | Symbol          | Condition   | Typ. | Max. | Units |
|-----------------------|-----------------|---|------|------|-------|
| Forward Voltage Drop* | V <sub>F1</sub> | @ 8A, Pulse, T <sub>J</sub> = 25 °C                               | -    | 1.20 | V     |
|                       | V <sub>F2</sub> | @ 8A, Pulse, T <sub>J</sub> = 125 °C                              | -    | 0.75 | V     |
| Reverse Current*      | I <sub>R1</sub> | @V <sub>R</sub> = rated V <sub>R</sub><br>T <sub>J</sub> = 25 °C  | -    | 0.16 | mA    |
|                       | I <sub>R2</sub> | @V <sub>R</sub> = rated V <sub>R</sub><br>T <sub>J</sub> = 125 °C | -    | 16   | mA    |

\* Pulse width < 300 μs, duty cycle < 2%

**Thermal-Mechanical Specifications:**

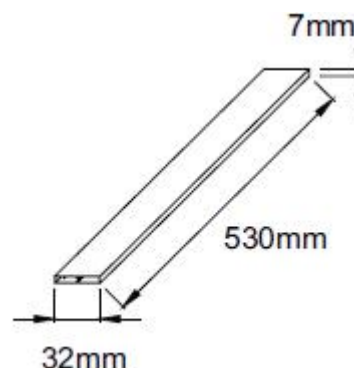
| Characteristics                                | Symbol  | ST8150      | STB8150 | STD8150 | STF8150 | Units |
|--|---|-------------|---------|---------|---------|-------|
| Junction Temperature                           | T <sub>J</sub>                                | -55 to +150 |         |         |         | °C    |
| Storage Temperature                            | T <sub>stg</sub>                              | -55 to +150 |         |         |         | °C    |
| Typical Thermal Resistance<br>Junction to Case | R <sub>θJC</sub>                              | 2.8         | 2.8     | 2.0     | 5.5     | °C/W  |
| Case Style                                     | TO-220AC/ D <sup>2</sup> PAK/ DPAK/ ITO-220AC |             |         |         |         |       |

**Tube Specification**

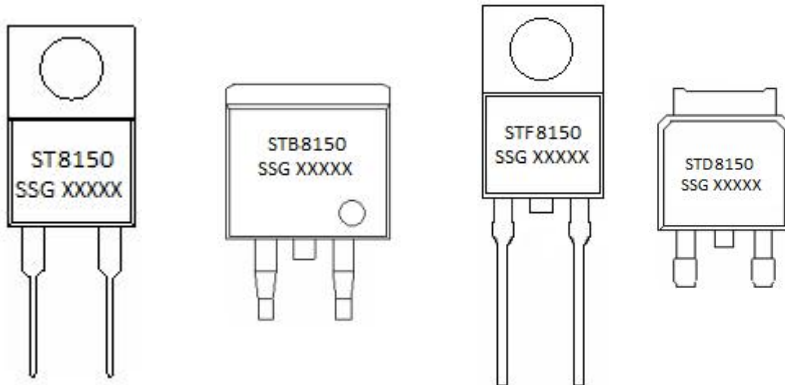
| Device  | Package            | Weight | Shipping       |
|---------|--------------------|--------|----------------|
| ST8150  | TO-220AC           | 1.6g   | 50pcs / tube   |
| STB8150 | D <sup>2</sup> PAK | 1.85g  | 800pcs / reel  |
| STD8150 | DPAK               | 0.39g  | 2500pcs / reel |
| STF8150 | ITO-220AC          | 1.6g   | 50pcs / tube   |

For information on tape and reel specifications, including part orientation and tape sizes, please refer to our tape and reel packaging specification.

**Tube Specification(TO-220AC/ITO-220AC)**



## Marking Diagram

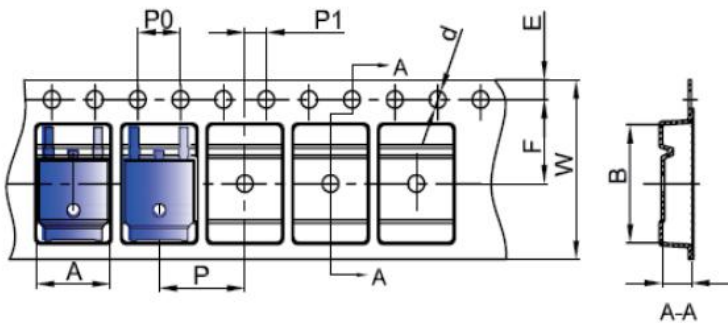


Where XXXXX is YYWWL

ST = Device Type  
B/D/F = Package type  
8 = Forward Current (8A)  
150 = Reverse Voltage (150V)  
SSG = SSG  
YY = Year  
WW = Week  
L = Lot Number

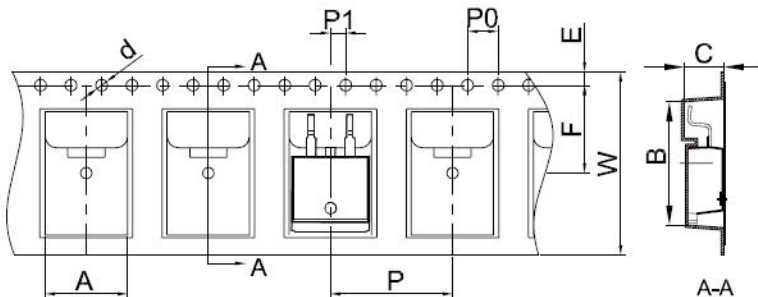
**Cautions:** Molding resin  
Epoxy resin UL:94V-0

## Carrier Tape Specification DPAK



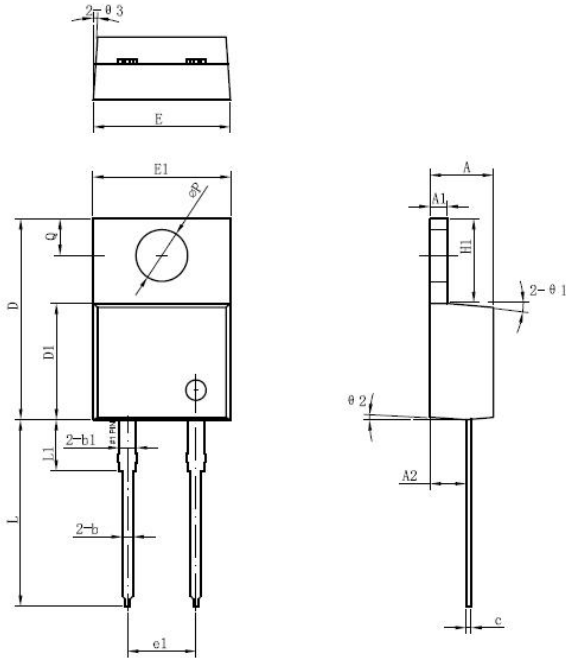
| SYMBOL | Millimeters |       |
|--------|-------------|-------|
|        | Min.        | Max.  |
| A      | 6.80        | 7.00  |
| B      | 10.40       | 10.60 |
| C      | 2.60        | 2.80  |
| d      | Φ1.45       | Φ1.65 |
| E      | 1.65        | 1.85  |
| F      | 7.40        | 7.60  |
| P0     | 3.90        | 4.10  |
| P      | 7.90        | 8.10  |
| P1     | 1.90        | 2.10  |
| W      | 15.90       | 16.30 |

## Carrier Tape Specification D<sup>2</sup>PAK



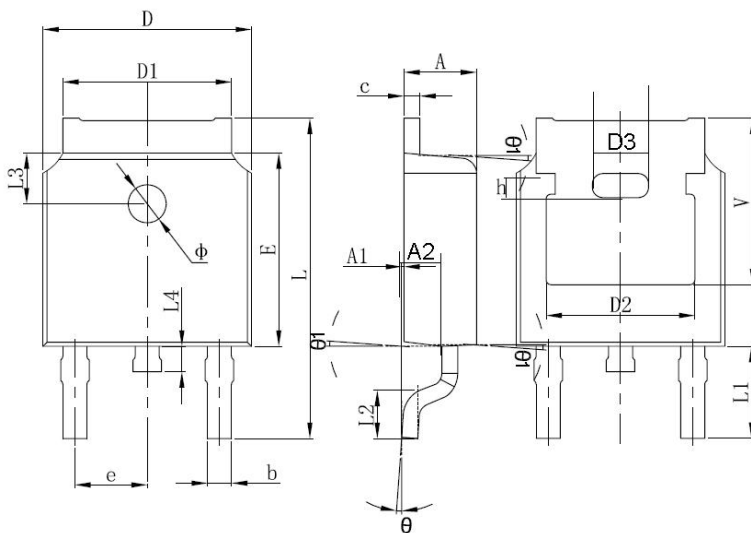
| SYMBOL | Millimeters |       |
|--------|-------------|-------|
|        | Min.        | Max.  |
| A      | 10.70       | 10.90 |
| B      | 16.03       | 16.23 |
| C      | 5.11        | 5.31  |
| d      | 1.45        | 1.65  |
| E      | 1.65        | 1.85  |
| F      | 11.40       | 11.60 |
| P0     | 3.90        | 4.10  |
| P      | 15.90       | 16.10 |
| P1     | 1.90        | 2.10  |
| W      | 23.90       | 24.30 |

**Mechanical Dimensions TO-220AC**



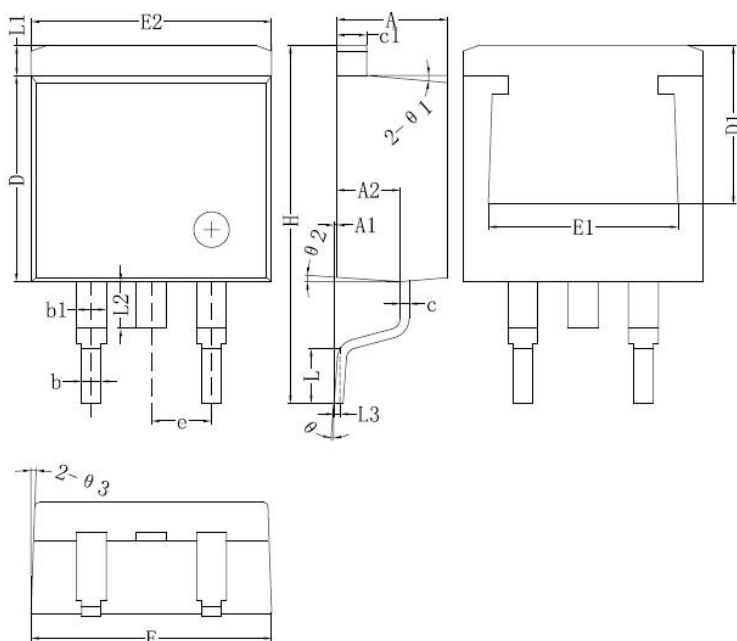
| Symbol     | Dimensions in millimeters |         |       |
|------------|---------------------------|---------|-------|
|            | Min.                      | Typical | Max.  |
| A          | 4.47                      | 4.70    | 4.85  |
| A1         | 1.17                      | 1.27    | 1.37  |
| A2         | 2.52                      | 2.69    | 2.89  |
| b          | 0.71                      | 0.81    | 0.96  |
| b1         | 1.17                      | 1.27    | 1.37  |
| c          | 0.31                      | 0.38    | 0.61  |
| D          | 14.64                     | 14.94   | 15.24 |
| D1         | 8.50                      | 8.07    | 8.90  |
| E          | 10.01                     | 10.16   | 10.31 |
| E1         | 9.98                      | 10.18   | 10.38 |
| e1         | 4.98                      | 5.08    | 5.18  |
| H1         | 6.04                      | 6.24    | 6.44  |
| L          | 13.00                     | 13.86   | 14.08 |
| L1         | 3.56                      | 3.80    | 3.96  |
| $\Phi$ P   | 3.74                      | 3.84    | 4.04  |
| Q          | 2.54                      | 2.74    | 2.94  |
| $\Theta 1$ |                           | 5°      |       |
| $\Theta 2$ |                           | 4°      |       |
| $\Theta 3$ |                           | 4°      |       |

**Mechanical Dimensions DPAK**



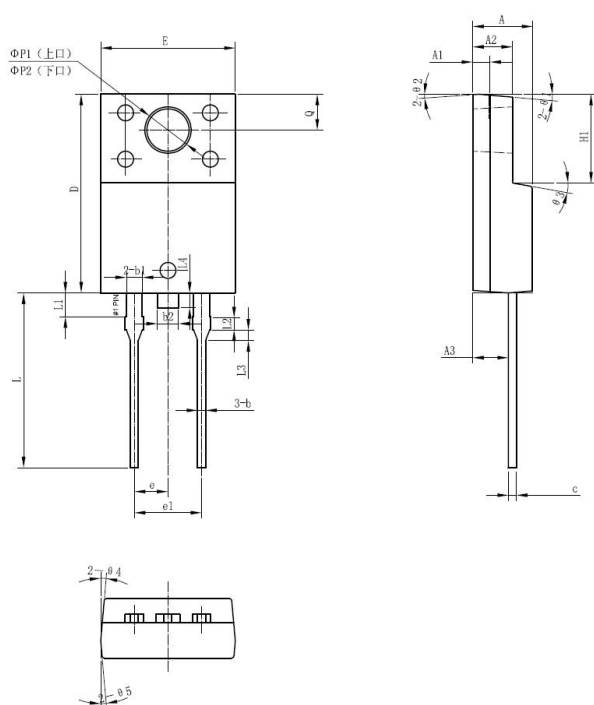
| SYMBOL   | Millimeters |       | Inches     |       |
|----------|-------------|-------|------------|-------|
|          | Min.        | Max.  | Min.       | Max.  |
| A        | 2.20        | 2.40  | 0.087      | 0.094 |
| A1       | 0.00        | 0.127 | 0.000      | 0.005 |
| b        | 0.66        | 0.86  | 0.026      | 0.034 |
| c        | 0.46        | 0.60  | 0.018      | 0.024 |
| D        | 6.50        | 6.70  | 0.256      | 0.264 |
| D1       | 5.13        | 5.46  | 0.202      | 0.215 |
| D2       | 4.83 REF.   |       | 0.190 REF. |       |
| E        | 6.00        | 6.20  | 0.236      | 0.244 |
| e        | 2.186       | 2.386 | 0.086      | 0.094 |
| L        | 9.70        | 10.40 | 0.381      | 0.409 |
| L1       | 2.90 REF.   |       | 0.144 REF. |       |
| L2       | 1.40        | 1.70  | 0.055      | 0.067 |
| L3       | 1.60 REF.   |       | 0.063 REF. |       |
| L4       | 0.60        | 1.00  | 0.024      | 0.039 |
| $\Phi$   | 1.10        | 1.30  | 0.043      | 0.051 |
| $\Theta$ | 0°          | 8°    | 0°         | 8°    |
| h        | 0.00        | 0.30  | 0.000      | 0.012 |
| V        | 5.35 REF.   |       | 0.211 REF. |       |

### Mechanical Dimensions D<sup>2</sup>PAK



| Symbol | Dimensions in millimeters |         |       |
|--------|---------------------------|---------|-------|
|        | Min.                      | Typical | Max.  |
| A      | 4.47                      | 4.70    | 4.85  |
| A1     | 0                         | 0.10    | 0.25  |
| A2     | 2.59                      | 2.69    | 2.89  |
| b      | 0.71                      | 0.81    | 0.96  |
| b1     | 1.17                      | 1.27    | 1.37  |
| c      | 0.31                      | 0.38    | 0.61  |
| c1     | 1.17                      | 1.27    | 1.37  |
| D      | 8.50                      | 8.70    | 8.90  |
| D1     | 6.40                      |         |       |
| E      | 10.01                     | 10.16   | 10.31 |
| E1     | 7.6                       |         |       |
| E2     | 9.98                      | 10.08   | 10.31 |
| e      |                           | 2.54    |       |
| H      | 14.6                      | 15.1    | 15.6  |
| L      | 2.00                      | 2.30    | 2.74  |
| L1     | 1.12                      | 1.27    | 1.42  |
| L2     | 1.30                      |         | 2.20  |
| L3     |                           | 0.25BSC |       |
| e      | 0                         | -       | 8°    |
| e1     |                           | 5°      |       |
| e2     |                           | 4°      |       |
| e3     |                           | 4°      |       |

### Mechanical Dimensions ITO-220AC



| SYMBOL  | Dimensions in millimeters |         |       |
|---------|---------------------------|---------|-------|
|         | Min.                      | Typical | Max.  |
| A       | 4.30                      | 4.50    | 4.70  |
| A1      | 1.10                      | 1.30    | 1.50  |
| A2      | 2.80                      | 3.00    | 3.20  |
| A3      | 2.50                      | 2.70    | 2.90  |
| b       | 0.50                      | 0.60    | 0.75  |
| b1      | 1.10                      | 1.20    | 1.35  |
| b2      | 1.50                      | 1.60    | 1.75  |
| c       | 0.50                      | 0.60    | 0.75  |
| D       | 14.80                     | 15.00   | 15.20 |
| E       | 9.96                      | 10.16   | 10.36 |
| e       | -                         | 2.55    | -     |
| e1      | 5.00                      | 5.10    | 5.16  |
| H1      | 6.50                      | 6.70    | 6.90  |
| L       | 12.70                     | 13.20   | 13.70 |
| L1      | 1.60                      | 1.80    | 2.00  |
| L2      | 0.80                      | 1.00    | 1.20  |
| L3      | 0.60                      | 0.80    | 1.00  |
| L4      | -                         | 1.10    | 1.50  |
| ΦP1(上口) | 3.30                      | 3.50    | 3.70  |
| ΦP2(下口) | 2.99                      | 3.19    | 3.39  |
| Q       | 2.50                      | 2.70    | 2.90  |
| Q1      |                           | 5°      |       |
| Q2      |                           | 4°      |       |
| Q3      |                           | 10°     |       |
| Q4      |                           | 5°      |       |
| Q5      |                           | 5°      |       |



**ST8150**  
**STB8150**  
**STD8150**  
**STF8150**

**Technical Data**  
**Data Sheet N13591, Rev. A**



**DISCLAIMER:**

- 1- The information given herein, including the specifications and dimensions, is subject to change without prior notice to improve product characteristics. Before ordering, purchasers are advised to contact the SMC - Sangdest Microelectronics (Nanjing) Co., Ltd sales department for the latest version of the datasheet(s).
- 2- In cases where extremely high reliability is required (such as use in nuclear power control, aerospace and aviation, traffic equipment, medical equipment , and safety equipment) , safety should be ensured by using semiconductor devices that feature assured safety or by means of users' fail-safe precautions or other arrangement .
- 3- In no event shall SMC - Sangdest Microelectronics (Nanjing) Co., Ltd be liable for any damages that may result from an accident or any other cause during operation of the user's units according to the datasheet(s). SMC - Sangdest Microelectronics (Nanjing) Co., Ltd assumes no responsibility for any intellectual property claims or any other problems that may result from applications of information, products or circuits described in the datasheets.
- 4- In no event shall SMC - Sangdest Microelectronics (Nanjing) Co., Ltd be liable for any failure in a semiconductor device or any secondary damage resulting from use at a value exceeding the absolute maximum rating.
- 5- No license is granted by the datasheet(s) under any patents or other rights of any third party or SMC - Sangdest Microelectronics (Nanjing) Co., Ltd.
- 6- The datasheet(s) may not be reproduced or duplicated, in any form, in whole or part, without the expressed written permission of SMC - Sangdest Microelectronics (Nanjing) Co., Ltd.
- 7- The products (technologies) described in the datasheet(s) are not to be provided to any party whose purpose in their application will hinder maintenance of international peace and safety nor are they to be applied to that purpose by their direct purchasers or any third party. When exporting these products (technologies), the necessary procedures are to be taken in accordance with related laws and regulations..