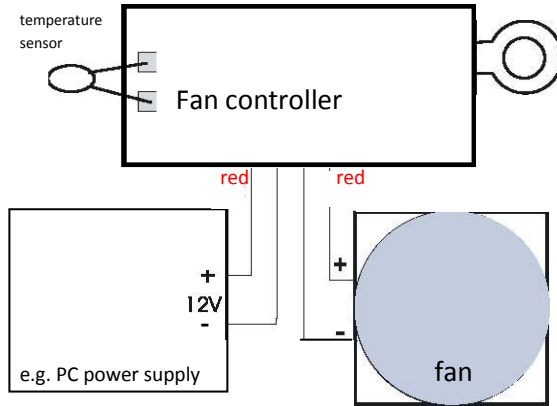


Installation

Connect the device according to the scheme. The device itself must be fastened to the metal, so that heat losses of the module can be easily dispersed. The connection does not need to be isolated, because there is no voltage drop on it.



Safety conditions

If it is determined that a safe operation is no longer possible, the device must be removed and secured against accidental activation.

This applies to cases where:

- The device shows visible damage
- The device does not work properly
- Parts of the device are broken
- Cables show visible damage.

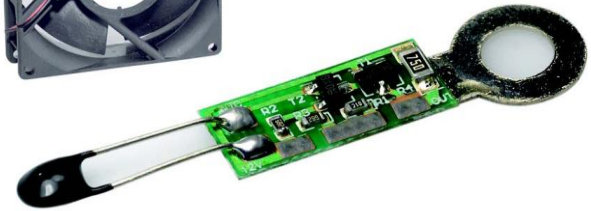
If repairs are required, use only original spare parts, otherwise this may cause serious injury. All repairs should be performed by a qualified electrician.

HTRONIC

Temperature controller for DC fans



Supplied without fan



This automatic temperature controller is designed for miniature DC fans (12 V) used in almost all PC computers. The temperature sensor controls the speed of the fan according to the temperature.

Maximum current - 400 mA.

Technical data:

Supply voltage:
12 V DC

Current consumption:
Max. 400 mA

Dimensions: 8 x 15 mm
(without probe and mounting hole)

Art.-Nr. 11 80 28

www.h-tronic.de



Temperature controller Fan controller

Art.-Nr.: 11 80 28

Dear customer, thank you for purchasing this product! This manual should be carefully read. Any damage caused by disregard of these instructions result in loss of warranty. For damages that result from failure to follow instructions, the manufacturer accepts no liability!

Purposes

The purpose of the device is to control the fan speed depending on the temperature. Any other use than specified in the manual is not allowed.

Operating conditions

- The device may only be used for 12 V DC
- Connecting the equipment with a voltage above 35 V must be carried out by a qualified electrician
- Position of the unit is arbitrary
- Powered device draws a maximum of 400 mA
- Operating temperature - 0-40°C
- In case of condensation of water vapor, wait two hours before switching on the unit
- Protect from moisture, water vapor and overheating!
- Cables with hazardous voltages (eg power supply) cannot touch the device and low-voltage cables, it must be secured away from them.

- Keep your device away from strong magnetic fields, or transmitters, it may not work properly.
- The device cannot be used in the presence of flammable liquids.
- The device is not intended for children and adolescents under 14 years.
- The unit can be operated only in the presence of adults or trained.
- The industrial safety regulations concerning equipment and electrical installations must be observed.
- In public buildings work, equipment should be monitored by trained personnel
- Do not use the device in an environment where can be present flammable gases, vapors or dusts.

Please note that the error of handling and power devices are beyond our control. For any resulting damages we shall not be held responsible.

Product description

Automatic temperature control for standard DC fan (12V) installed in almost any PC to provide cooling. The device is equipped with a temperature sensor that controls the fan speed. The unit should be located so that it can optimally adjust cooling fan attached.

This product has been tested in accordance with EC Directive - 89/336/EEC (EMC 11.09.1992, electromagnetic compatibility) and in accordance with the law.