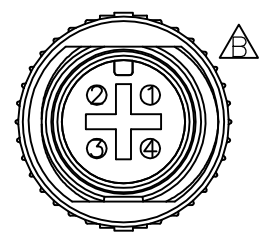
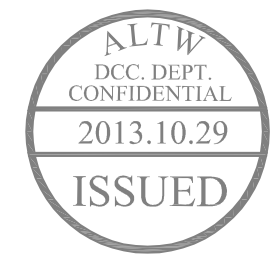
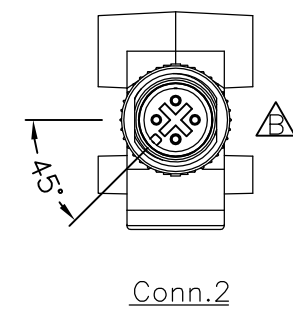
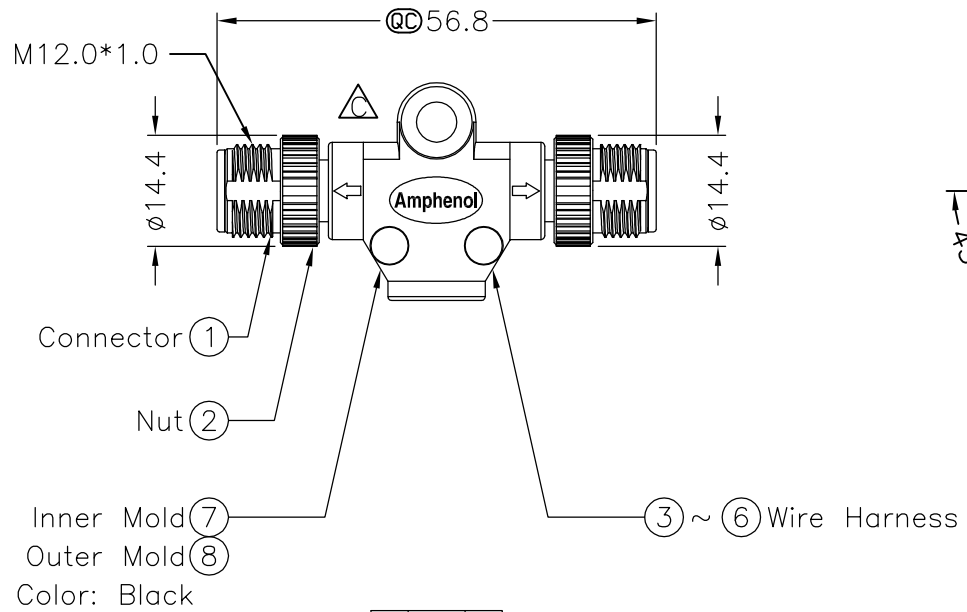
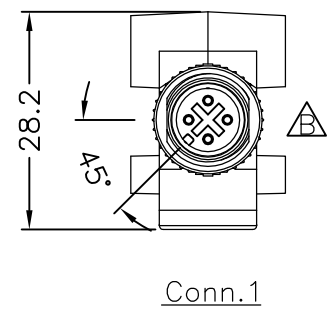


REV.	ECN NO.	DATE	SIGN	DESCRIPTION
C	LEN1350147	2013/05/08	Lu Di	Change Logo
D	LE31380057	2013/08/01	Cary	Change Pin Out
E	LEN13A0126	2013/10/17	Cary	Change Tolerance



Pin Assignments
Front View

Wire Color	Pin Out	Conn.1	Conn.2
Green 綠		4	4
Blue 藍		3	3
White 白		2	2
Black 黑		1	1

- Note:
- * QC Important Dimension.
 - * Waterproof Rate: IP67
 - * Connector: Black, PU
 - * Nut: Zinc Alloy, Nickel Plated
 - * Male Pin: Copper Alloy, Gold Plated
 - * Wire Harness: UL1007 24AWG 4Pcs

UNIT:mm	TITLE M12 Conn I Adapt Screw MM Conn MM Pin		Amphenol LTW 安費諾亮泰企業股份有限公司	ITEM NO SS-000404-0MM-IS001	DRAWN BY Cary	DATE 2013/10/17
TOLERANCE ±0.5mm	SCALE Free	SHEET 1 OF 1		DWG NO SS-000404-0MM-IS001	CHECKED BY Lu Di	DATE 2013/10/17
REV. E	SIZE A4	QC :Inspection Item	CUSTOMER ALTW	APPROVED BY Victor	DATE 2013/10/17	8 FMW10702-01-01A2

THIS DOCUMENT IS SUBJECT TO CHANGE WITHOUT NOTICE. IT IS CONFIDENTIAL AND A PROPERTY OF Amphenol LTW. DISCLOSURE TO THIRD PARTY HAS TO BE AUTHORIZED BY Amphenol LTW.