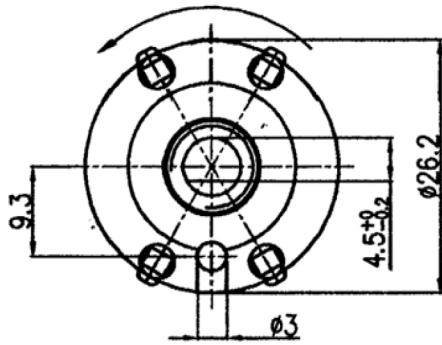
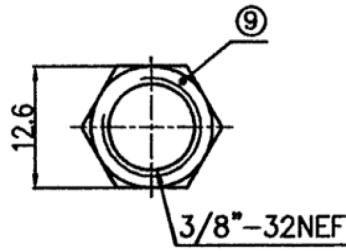


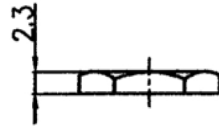
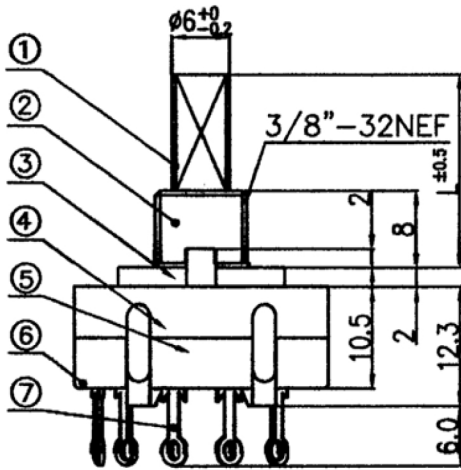
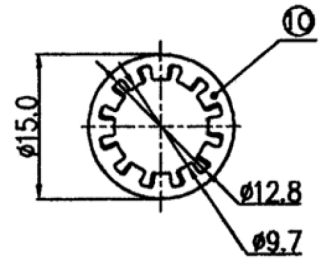
DIRECTION OF ROTATION



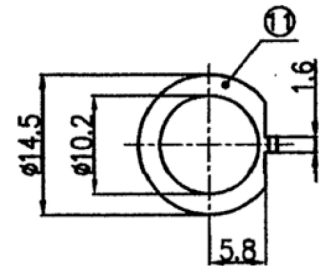
NUT 1PC



WASHER 1PC t=0.5

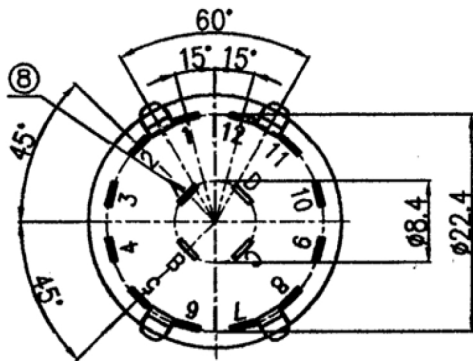
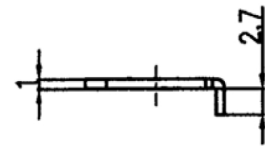


CENTER PLATE 1 PCS



Ninigi

SCHEMATIC



NO	MODEL	F	L	NO	MODEL	F	L							
11	SR2630	Lock Washer	1	SPCE-t=1.0	MFN-II									
10	W-3/8"	Washer	1	Stall t=0.5	Zinc Plating	✓	15F	7	15			13F	5	13
9	N-3/8"	NUT	1	Stall t=2.3	Zinc Plating		18F	10	18			21F	13	21
8	SR26105-12	Internal terminal	1	Brass	Silver Plating		28F	20	28			23F	15	23
7	SR26105N	External terminal	10	Brass	Silver Plating		38F	30	38			33F	25	33
6	SR2611-4C	Element	1	Nylon+302FB	No Plating									
5	SR2527	Stall Ball	2	Stall	Silver Plating									
4	SR2615	Spring	1	SWPA	Silver Plating	△								
3	SR2606	Contact Plate	1	Phosphor-bronze	Silver Plating	△								
2	SR2609	Case	1	Nylon+302FB	No Plating	△								
1	SR2601-F	Shaft	1	PCM	No Plating	△								
NO	Part No	Description	Q'TY	Material	Finishing	MODEL NAME SR261-1-10-15F-N				A				

TOLERANCES		DIMENSION	SCALE	DRAWING BY	CHECKED BY	APPROVED BY	DRAWING NO.
less than 10	± 0.3	m/m	/				SR261-128
above 10 - 30	± 0.5						
above 30 - 100	± 1.0						
angular dimension	± 5 °						Switch\SR261\Spec