

## 1. PVC FLEXIBLE CORD

### 1.1 SCOPE

This specification shall be in accordance with **EN 50525-2-11**

**Polyvinyl chloride insulated cables of rated voltages up to and including 450/750 V**

### 1.2 CONSTRUCTION

CONDUCTOR	ANNEALED COPPER WIRE
INSULATION	PVC ( BLUE, BROWN, YELLOW/GREEN ) MEAN VALUE OF THICKNESS : Min.0.6mm
SHEATH	PVC MEAN VALUE OF THICKNESS : Min.0.8mm

ITEM		UNIT	SPEC.VALUE
RATED VOLTAGE ( U <sub>0</sub> /U )		V/V	300/500
NO.OF CORE		NO.	3
CONDUCTOR	NOMINAL AREA	mm <sup>2</sup>	0.75
	CONSTRUCTION	NO/mm	32/0.18 or 24/0.2
THICKNESS OF INSULATION		mm	0.6
THICKNESS OF SHEATH		mm	0.8
OVERALL DIAMETRT(APPROX.)		mm	6.8±0.2
CONDUCTOR RESISTANCE ( AT20°C )		Ohm/km	26.0 ( Max )
TEST VOLTAGE		V/min	2000/15

### 1.3 SOURCE FOR FLEXIBLE CORD

- RHYTHM
- LIAN DUNG
- I-SHENG

## 1.4 PHYSICAL CHARACTERISTICS OF INSULATION AND SHEATH

ITEM		UNIT	SPEC.VALUE	
INSULATION	ORIGINAL	TENSILE STRENGTH	kgf/ mm <sup>2</sup>	Min.1.3
		ELONGATION	%	Min.150
	AFTER AGING 80±2°C FOR 168 HOURS	TENSILE STRENGTH	%	VARIATION FROM ORIGINAL VALUE 20
		ELONGATION	%	VARIATION FROM ORIGINAL VALUE 20
SHEATH	ORIGINAL	TENSILE STRENGTH	kgf/ mm <sup>2</sup>	Min.1.3
		ELONGATION	%	Min.150
	AFTER AGING 80±2°C FOR 168 HOURS	TENSILE STRENGTH	%	VARIATION FORM ORIGINAL VALUE 20
		ELONGATION	%	VARIATION FROM ORIGINAL VALUE 20

## 1.5 COLD BEND

No crack on the surface of cord sample which is wind round 6 turns in mandrel of 4-5xØd (Ød : wire diameter) subjected to a temperature of -15±2°C for 4hours.

## 1.6 HEATBEND

No crack on the surface of a sample which is wind round 6 turns on mandrel of 9mm diameter subjected to a temperature of 150°C±2°C for 1hour.

## 1.7 DEFORMATION RESISTANCE AT HIGHER TEMPERATURE TEST

The test temperature is 70°C±2°C for 4hours.The test weight is 125g for insulation and 175g for sheath by CEE Test Machine (pressure foot) .  
Test result : Thickness variation from original value min.50% .

## 2. PLUG

### 2.1 SCOPE

The plug shall be in accordance with BS1363 : 1995.

( Specification for plugs, switched and unswitched socket-outlets )

### 2.2 CONSTRUCTION

The plug construction shall be in accordance with our Catalogue

NO.LT-327(3A)(HO-100) Assembly Type

### 2.3 CHARACTERISTICS

NO	TEST ITEM	SPEC.VALUE	TEST RESULTS
1.	Moisture resistance test	Samples are kept in a humidity cabinet containing air with a relative humidity between 91 to 95% and a temperature of 20-30°C for a duration of 48 hours	No damage
2.	Electric strength test	A voltage of A.C.2000V is applied for 2-3 sec after the moisture resistance test.	No flashover and breakdown
3.	Insulation resistance test	This test is measured with a D. C. 500V after the moisture resistance test.	Min. 5 M Ohm
4.	Flexing test	The sample shall be loaded with a weight of 10N(1.02kg) and the oscillating number shall be moved backward and forward through an angle of 90°(45°on either side of the vertical) the number of flexing being 10,000.The sample is turned through 90°after 5000 flexings.	No damage
5.	Tumbling test	The samples are dropped from a height of 50cm onto a plywood base ( 10mm thick ) for a total of 1000 times.	No damage

6.	Cold test	The samples are kept in a refrigerator at a temperature of $-15\pm 2^{\circ}\text{C}$ , for 1 hour.	No damage
7.	Abrasion test	The pin of sample slopes downwards at angle of $10^{\circ}$ to the horizontal. The sample is loaded with a force of 4N on the pin. The number of movement is 2000, and the length of pin subjected to abrasion is approximately 7mm over the insulating sleeve.	No damage
8.	Heat deformation test	The samples are kept for 1 hour in a heating cabinet at temperature of $70\pm 2^{\circ}\text{C}$ .	No damage

### 3 CONNECTOR

#### 3.1 SCOPE

The connector shall be in accordance with BS-4491 、 IEC 320 C13  
(Appliance coupler)

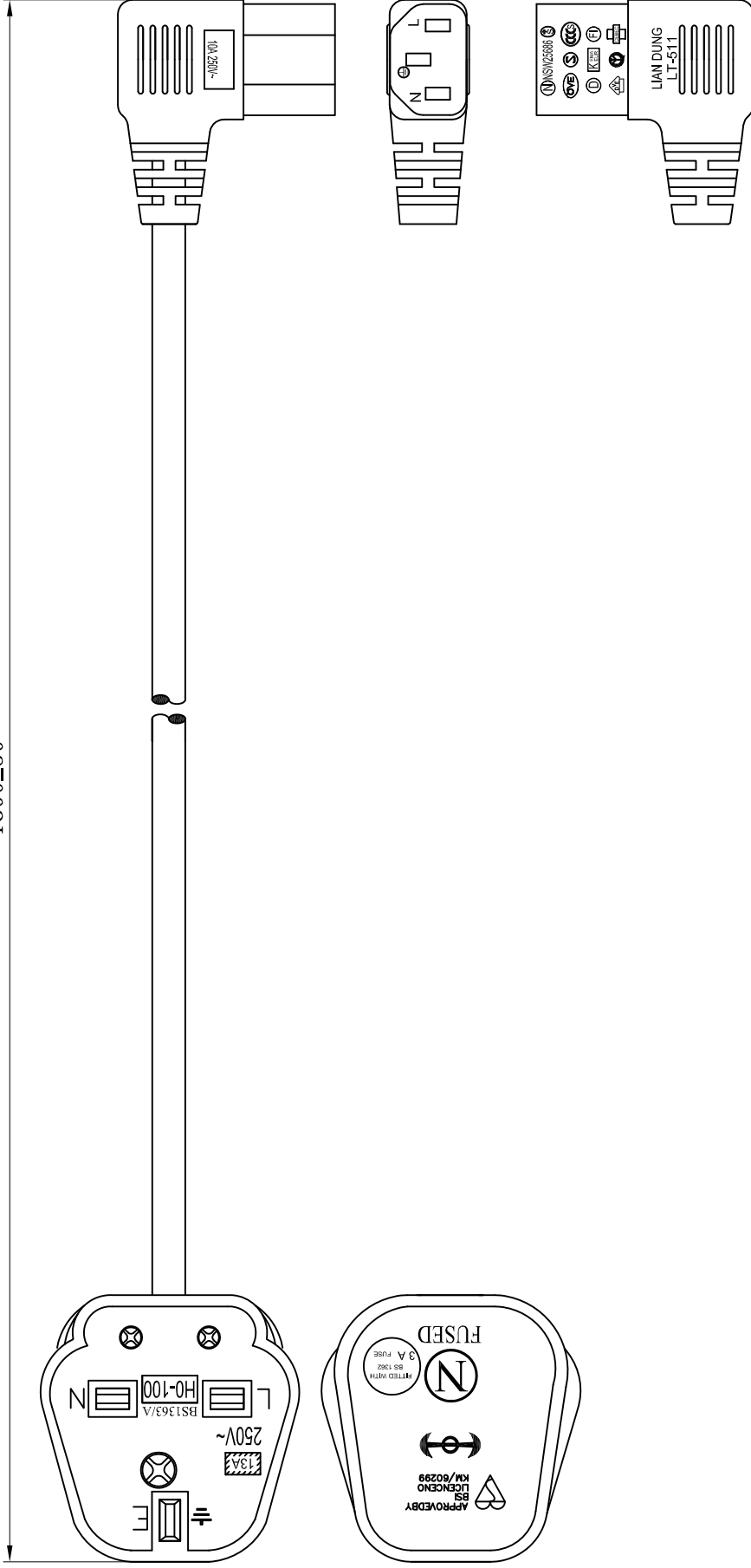
#### 3.2 CONSTRUCTION

The connector construction shall be in accordance with our Catalogue  
NO.LT-511R

#### 3.3 CHARACTERISTICS

NO.	TEST ITEM	SPEC. VALUE	TEST RESULTS
1.	Moisture resistance test	Samples are kept in a humidity cabinet containing air with a relative humidity between 91 to 95% and a temperature of 20~30°C for a duration of 48 hours.	No damage
2.	Electric strength test	A voltage of A.C.2000V is applied for 1 min. after the moisture resistance test.	No flashover and breakdown
3.	Insulation resistance test	This test is measured with a D.C.500V after the moisture resistance test.	Min.5 M Ohm.
4.	Flexing test	The sample shall be loaded with a weight of 10N (1.02kg) and the oscillating number shall be moved backward and forward through an angle of 90°(45° on either side of the vertical) the number of flexing being 20,000. The sample is turned through 90° after 5000 flexing.	No damage
5.	Tumbling test	The sample are dropped from a height of 50cm onto a plywood base (10mm thick) for a total of 1000 times	No damage
6.	Cold test	The samples are kept in a refrigerator at a temperature of -15±2°C, for 1 hr.	No damage
7.	Heat deformation test	The samples are kept for 1 hour in a heating cabinet at temperature of 70±2°C.	No damage

1800±50



NOTE :

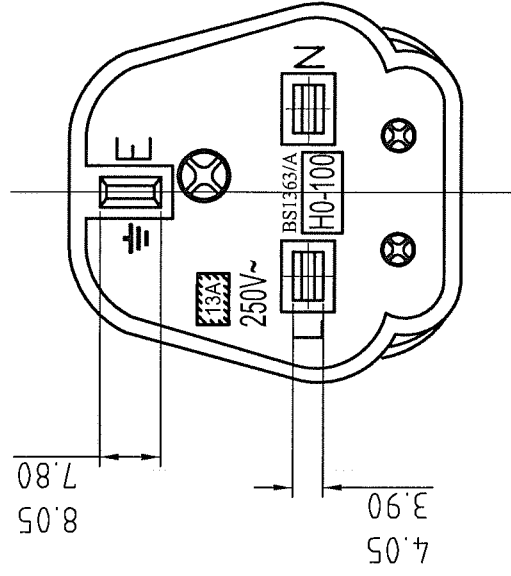
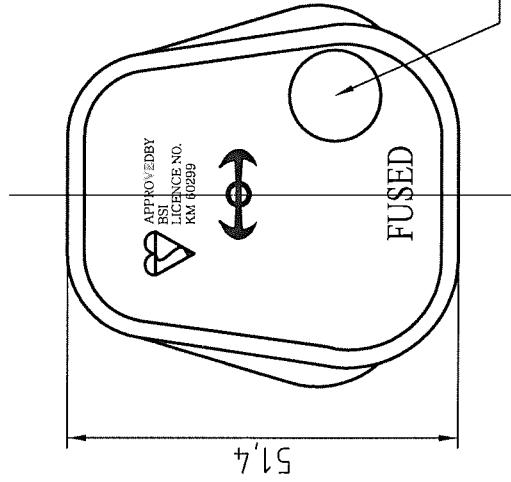
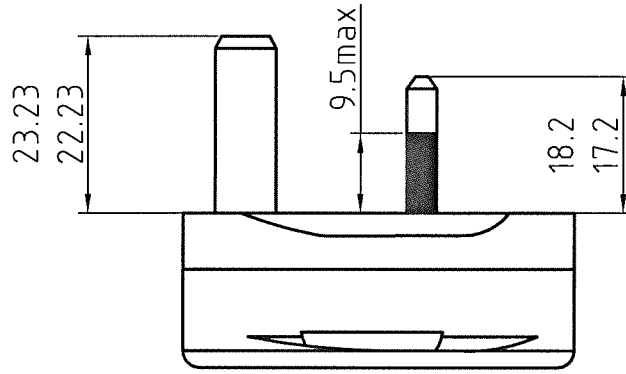
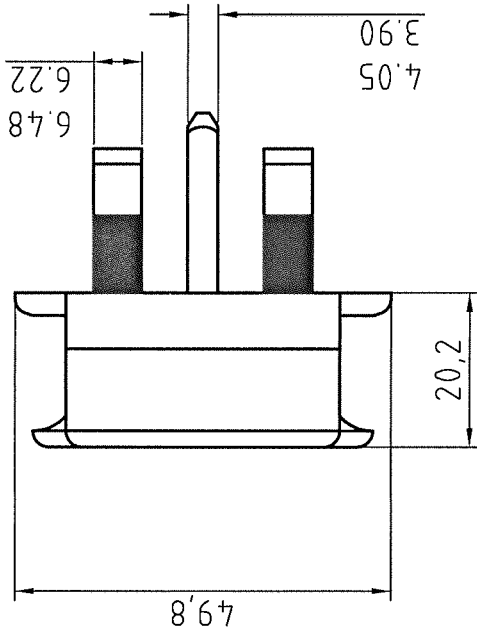
1. PLUG : LT-327(3A) BRITISH TYPE
2. CONNECTOR : LT-511 IEC-320 C13
3. CORD : H05VV-F 3G0.75mm<sup>2</sup> BLK 1.8m
4. APPROVALS : BSI
5. CUSTOMER : TME
6. Supplier for flexible cord : RHYTHM、I-SHENG、LIAN DUNG
7. P/N : SN24-3/07/1.8BK

3.		DRAWER	Quamin	DATE	18/03/15	TITLE	LT-327+511R
2.		APPROVE		REV.	1	Dr.No.	1070335
1.				比例		TOL.	±5mm
PART	DESCRIPTION	DATE	ALL DIMENSIONS IN mm				


**LIAN DUNG**  
 ELECTRIC WIRE MATERIAL CO.,LTD.  
 聯東電線材料股份有限公司

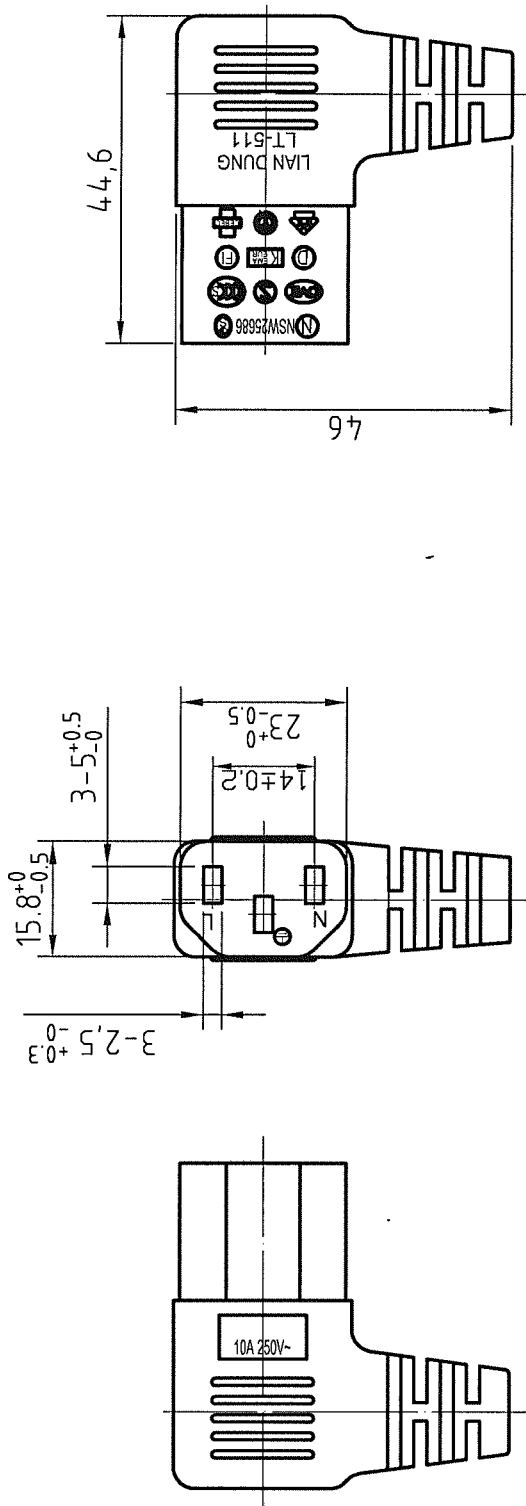
- FITTED WITH  
BS 1362  
3 A FUSE
- FITTED WITH  
BS 1362  
5 A FUSE
- FITTED WITH  
BS 1362  
13 A FUSE

LABLE SCALE 2:1






PART	DESCRIPTION	DATE	DRAWER	葉惠菁	DATE	13/07/10	TITLE	LT-327
1.			APPROVE		REV.	3	Dr.No.	C327001
2.					比例	1:1	TOL.	±1.2mm
3.					ALL DIMENSIONS IN mm			

**LIAN DUNG**  
 ELECTRIC WIRE MATERIAL CO.,LTD.  
 聯東電線材料股份有限公司




**LIAN DUNG**  
 ELECTRIC WIRE MATERIAL CO.,LTD.  
 聯東電線材料股份有限公司

PART	DESCRIPTION	DATE	DRAWER	曾群閱	DATE	TITLE	LT-511R-CB
1.			APPROVE		REV.	Dr.No.	C511R03
2.					比例	TOL.	±1.2mm
3.					1:1	ALL DIMENSIONS IN mm	