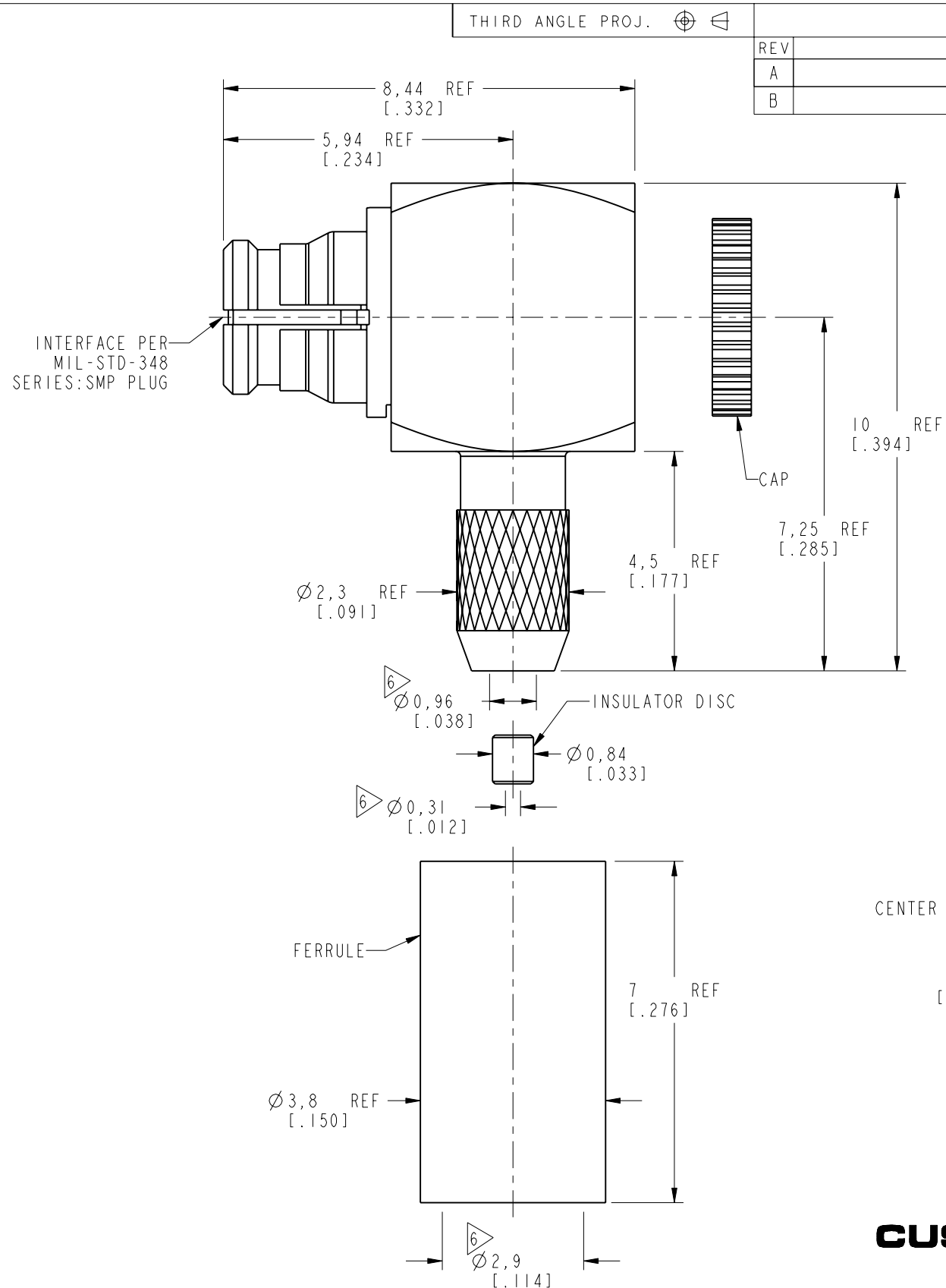


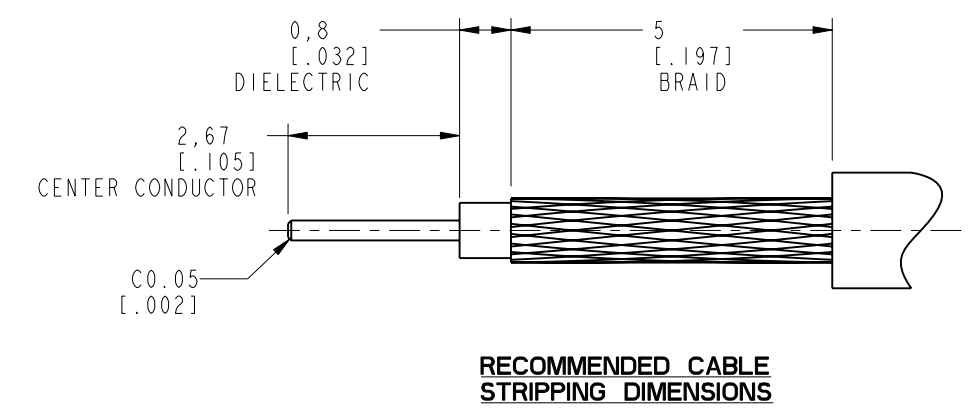
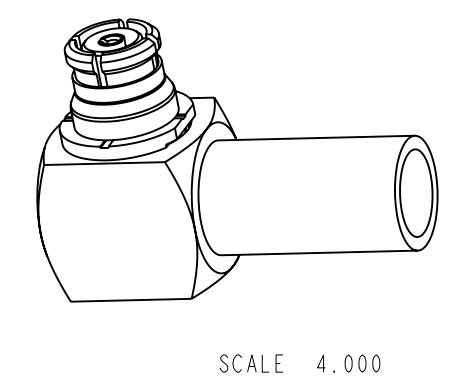
NOTES:

1. MATERIALS AND FINISHES:
 BODY & CONTACT - BeCu, GOLD PLATING
 BODY-REAR & CAP - BRASS, GOLD PLATING
 RETAINING RING - BeCu, NICKEL PLATING
 FERRULE - COPPER, NICKEL PLATING
 INSULATOR - PTFE, NATURAL
 INSULATOR DISC - PEEK, NATURAL
2. ELECTRICAL:
 A. IMPEDANCE: 50 OHM
 B. FREQUENCY RANGE: DC - 26.5 GHz.
 C. VSWR (RETURN LOSS): 1.22 MAX. (-20 dB MIN.) @ DC - 3 GHz
 1.43 MAX. (-15 dB MIN.) @ 3 - 12.4 GHz
 D. DIELECTRIC WITHSTANDING VOLTAGE: 500 VRMS, MIN.
3. MECHANICAL:
 A. DURABILITY: 100 CYCLES MIN. WHEN MATED FULL DETENT JACK
 500 CYCLES MIN. WHEN MATED LIMITED DETENT JACK
 1000 CYCLES MIN. WHEN MATED A SMOOTH BORE JACK
 B. TEMPERATURE RANGE: -65°C TO 165°C
4. PACKAGING:
 A. QUANTITY: SINGLE PACK
 B. MARKING: BAG TO BE MARKED
 "AMPHENOL RF, SMP-FR-C19 & DATE CODE"
5. CABLE ASSEMBLY INSTRUCTIONS:
 A. TRIM CABLE AS SHOWN.
 B. SLIDE FERRULE AND INSULATOR DISC ONTO CABLE.
 C. SOLDER CABLE CENTER CONDUCTOR TO CONTACT.
 D. CRIMP FERRULE OVER THE BRAID WITH .128" HEX.
 E. PRESS CAP FLUSH.

6 SHOWS CABLE ENTRY DIMENSIONS.



		REVISIONS		
REV	DESCRIPTION	DATE	ECO	APPR
A	RELEASE TO MFG.	12-Nov-18	09542	EH
B	UPDATED NOTE 3	07-May-19	11421	SH



CUSTOMER OUTLINE DRAWING
 ALL OTHER SHEETS ARE FOR INTERNAL USE ONLY

UNLESS OTHERWISE SPECIFIED, DIMENSIONS ARE IN METRIC AND TOLERANCES ARE: <0.5mm ±0.05mm 0.5 - 6mm ±0.1mm 6 - 30mm ±0.2mm 30 - 120mm ±0.3mm ANGLES ±1°	MATERIAL SEE NOTES	DRAWN M. ZHANG	DATE 07-May-19	TITLE SMP RA PLUG WITH ROCK RING FOR RG 178 CABLE	Amphenol RF www.amphenolrf.com
		ENGINEER VIJI K	DATE 04-Dec-17		
NOTICE - These drawings, specifications, or other data (1) are, and remain the property of Amphenol corp. (2) must be returned upon request; and (3) are confidential and not to be disclosed to any person other than those to whom they are given by Amphenol Corp. the furnishing of these drawings, specifications, or other data by Amphenol Corp., or to any other person to anyone for any purpose is not to be regarded by implication or otherwise in any manner licensing, granting rights to permitting such holder or any other person to manufacture, use or sell any product, process or design, patented or otherwise, that may in any way be related to or disclosed by said drawings, specifications, or other data.	REFERENCE EAR# 8025 AND SMP-FR-C08-1	APPROVED S. HSIEH	DATE 07-May-19	SCALE: 8.5:1.0 SHEET 2 OF 2	DRAWING NO. SMP-FR-C19
	CONFIGURATION LEVEL: In Work	CAD FILE	DWG SIZE B	REV B	ITEM NO. SMP-FR-C19