

## SLIK-73

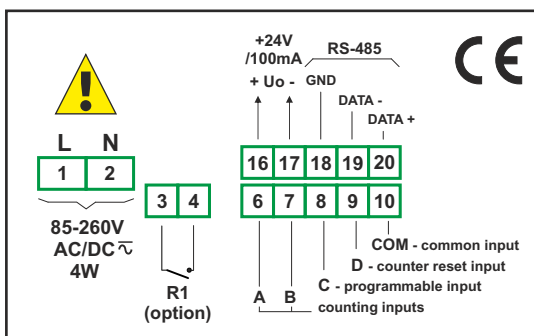
- ▣ universal counter with batching function
- ▣ 2 pulse counting inputs
- ▣ 1 programmable function input
- ▣ 1 counter reset input
- ▣ 1 relay or OC output (option)



The **SLIK-73** is a cross between the existing SLI-73 and SLK-73. The device has two independent counting inputs that can operate in various configurations. A programmable function input enables changing the operating mode of the counting inputs (up-down and down-up) or stopping the count. The **SLIK-73** counter features an independent reset input. It has 0 or 1 relay (or OC) output with programmable activation threshold, which can be used to control external equipment.

- digital, anti-disturbance filter,
- 4 counter reset sources,
- relay operation time programmable to 99 min.,
- programmable multiplier, divider and offset,
- programmable decimal point position,
- ACCESS option - easy threshold modification,
- RS-485 interface,
- available with AC and DC power supply versions.

### Exemplary pin assignment



### Ordering

SLIK-73-15XX-1-X-XX1

#### options:

- 00 : no options
- 01 : IP 65 frame
- 08 : operating temp. -20°C ÷ +50°C

#### power supply:

- 3 : 24V AC/DC
- 4 : 85V - 260V AC/DC

number of outputs:

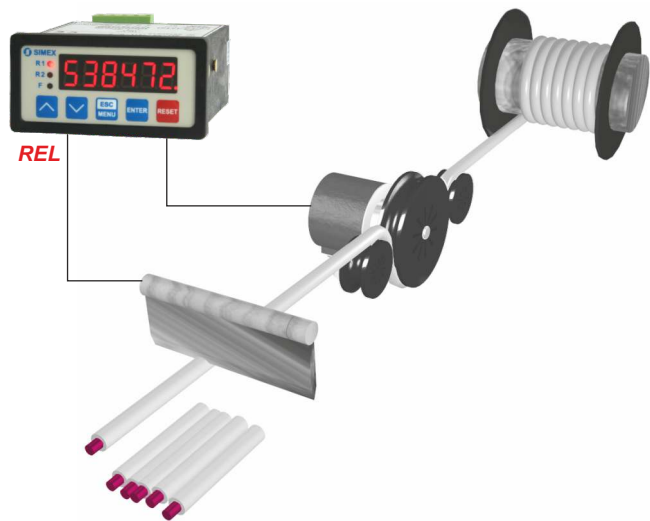
0  
1

#### type of outputs:

- 0 : no output
- 1 : REL
- 2 : OC

### Typical applications

1. Counting current amount of manufactured items plus control of the production line.



### Technical data

**Power supply:** 19V ÷ 50V DC; 16V ÷ 35V AC or 85 ÷ 260V AC/DC, all separated  
**Power consumption:** for 85 ÷ 260V AC/DC and 16V ÷ 35V AC power supply: max. 4,5 VA; 19V ÷ 50V DC power supply: max. 4,5 W

**Display:** LED, red, 6 x 9 mm high

**Inputs:** pulse, galvanically insulated

- A and B inputs - counting (down-up and up-down or quadrature)
- C input - programmable
- D input - counter reset
- COM - common

**Input levels:** low: 0 V ÷ 1 V  
high: 10 V ÷ 30 V (max. 12 mA for 24V)

**Max. input frequency:** electronic: 10 kHz  
contact: max. 90 Hz (adjustable filter)

**Displayed values range:** from -99999 to 999999

**Output:** 0 or 1 relay 1A/250V AC (cosφ=1) or the OC 30mA/30VDC/100mW

**Transducer power supply output:** 24V DC +5%, -10% / max. 100 mA, stabilized, not insulated from communication interface

**Communication interface:** RS-485, 8N1 and 8N2, 1200 bit/s ÷ 115200 bit/s, Modbus RTU, not galvanically insulated from transducer power supply output

**Data memory:** non-volatile memory, EEPROM type

**Operating temperature:** 0°C ÷ +50°C (standard), -20°C ÷ +50°C (option)

**Storage temperature:** -10°C ÷ +70°C (standard), -20°C ÷ +70°C (with option 08)

**Protection class:** IP 65 (front), available additional frame IP 65 for panel cut-out sealing; IP 20 (case and connection clips)

**Case:** board

**Case material:** NORYL - GFN2S E1

**Case dimensions:** 72 x 36 x 97 mm

**Panel cut-out dimensions:** 66,5 x 32,5 mm

**Installation depth:** min. 102 mm

**Board thickness:** max. 5 mm