

Keyword:
 iXtra - Long Term High Performance

Model: SL-2780

Performance Data (Typical values for batteries stored at 25 °C for one year)

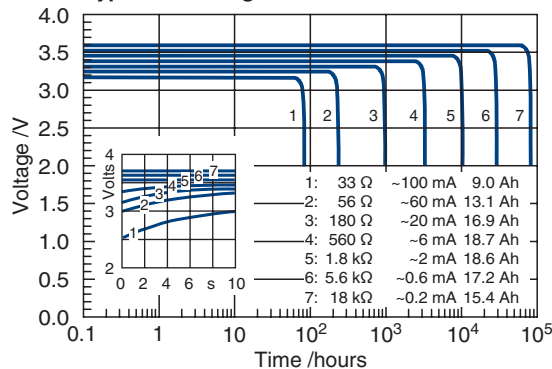
System	Li/SOCl ₂
Nominal voltage	3.6 V
Nominal capacity	19 Ah
Nominal current	4 mA
Max. continuous discharge current	340 mA
Pulse current capability	600 mA
Anode surface area	45 cm ²
Lithium content	5 g
Weight	93 g
Volume	51 cm ³
Temperature range	-55 °C ... +85 °C

WARNING:
 Fire, explosion, and severe burn hazard. Do not recharge, disassemble, heat above 100 °C, incinerate, or expose contents to water.

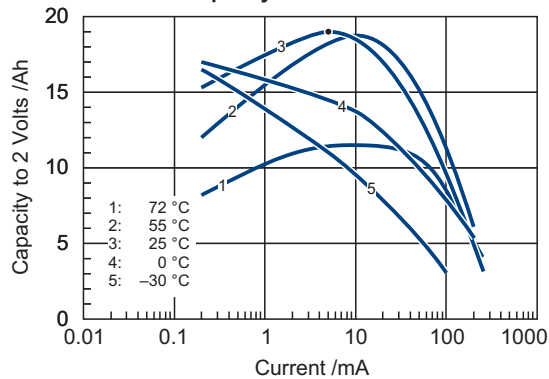
UL recognition under file MH 12827

See also our website under Products/Safety

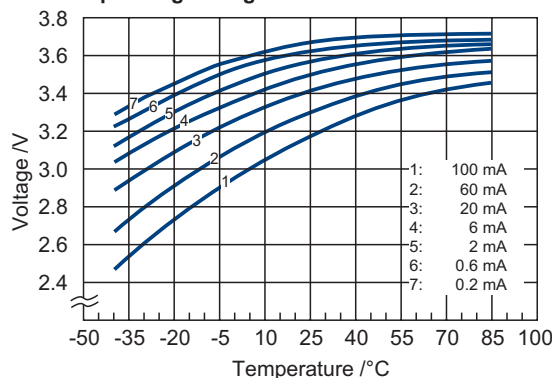
Typical Discharge Curves at +25 °C



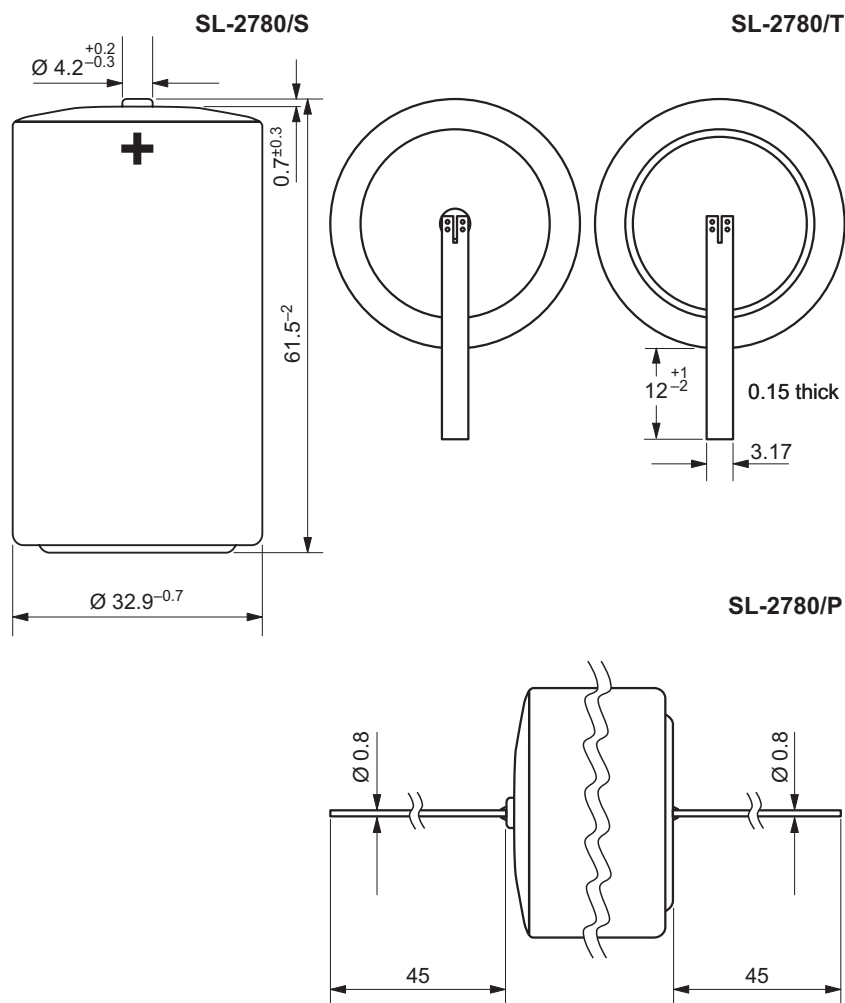
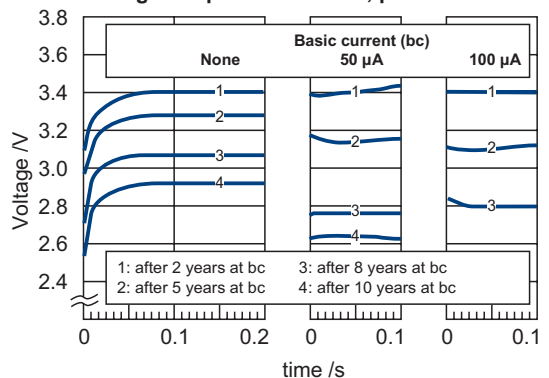
Available Capacity



Operating Voltage



Voltage Response at +25 °C, pulse: 60 mA



Available Terminations

SL-2780/S	Standard
SL-2780/T	Tags
SL-2780/P	Pins

Catalogue No.

11 2 17801 00
11 2 17802 00
11 2 17803 00

Any values given here are for information purposes only. They also depend on actual conditions of use and are not warranties of future performance. Subject to change.