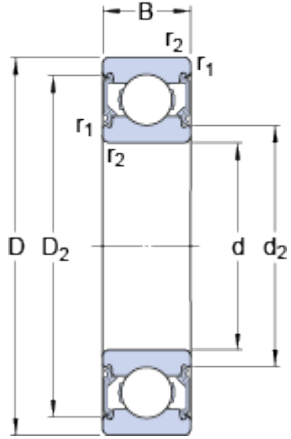


# 6301-2RSH

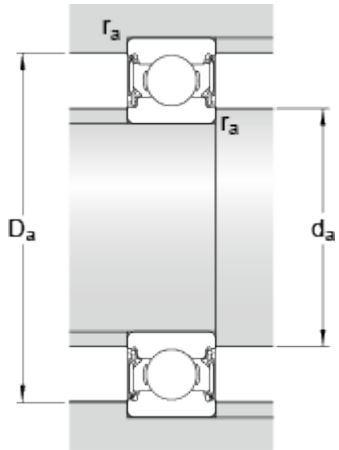
SKF Explorer

## Dimensions



d	12	mm
D	37	mm
B	12	mm
d <sub>2</sub>	17.5	mm
D <sub>2</sub>	31.48	mm
r <sub>1,2</sub>	min. 1	mm

## Abutment dimensions



d <sub>a</sub>	min.	17.6	mm
d <sub>a</sub>	max.	17.6	mm
D <sub>a</sub>	max.	31.4	mm
r <sub>a</sub>	max.	1	mm

## Calculation data

Basic dynamic load rating	C	10.1	kN
Basic static load rating	C <sub>0</sub>	4.2	kN
Fatigue load limit	P <sub>u</sub>	0.176	kN
Limiting speed		14000	r/min
Calculation factor	k <sub>r</sub>	0.03	
Calculation factor	f <sub>0</sub>	11	

## Mass

Mass bearing	0.0622	kg
--------------	--------	----