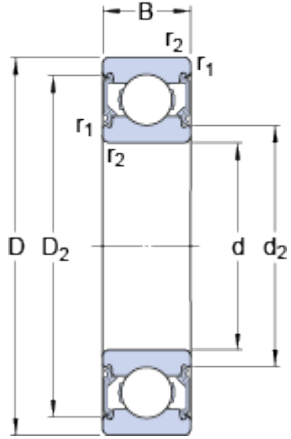


# 6200-2RSH

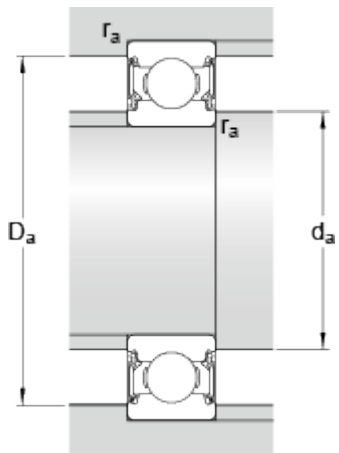
SKF Explorer

## Dimensions



d	10	mm
D	30	mm
B	9	mm
d <sub>2</sub>	14.75	mm
D <sub>2</sub>	24.72	mm
r <sub>1,2</sub>	min. 0.6	mm

## Abutment dimensions



d <sub>a</sub>	min. 14.2	mm
d <sub>a</sub>	max. 15	mm
D <sub>a</sub>	max. 25.8	mm
r <sub>a</sub>	max. 0.6	mm

## Calculation data

Basic dynamic load rating	C	5.4	kN
Basic static load rating	C <sub>0</sub>	2.4	kN
Fatigue load limit	P <sub>u</sub>	0.1	kN
Limiting speed		17000	r/min
Calculation factor	k <sub>r</sub>	0.025	
Calculation factor	f <sub>0</sub>	13	

## Mass

Mass bearing	0.0324	kg
--------------	--------	----