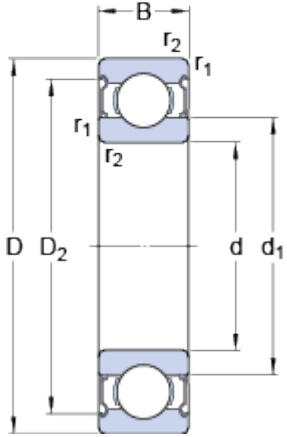


609-2Z

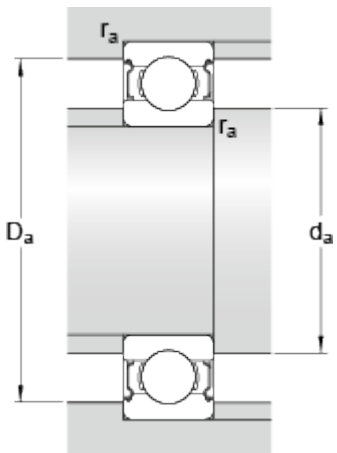
SKF Explorer

Dimensions



d	9	mm
D	24	mm
B	7	mm
d ₁	14.45	mm
D ₂	21.2	mm
r _{1,2}	min. 0.3	mm

Abutment dimensions



d _a	min. 11	mm
d _a	max. 14.3	mm
D _a	max. 22	mm
r _a	max. 0.3	mm

Calculation data

Basic dynamic load rating	C	3.9	kN
Basic static load rating	C ₀	1.7	kN
Fatigue load limit	P _u	0.071	kN
Reference speed		70000	r/min
Limiting speed		34000	r/min
Calculation factor	k _r	0.025	
Calculation factor	f ₀	13	

Mass

Mass bearing	0.0153	kg
--------------	--------	----

