

# 6000-2Z

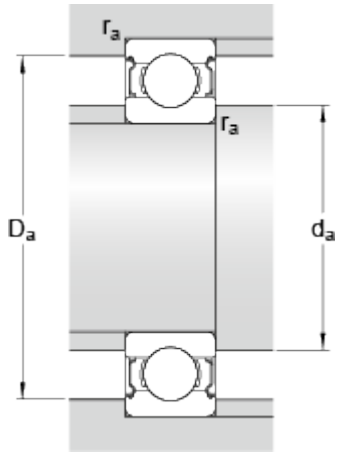
SKF Explorer

## Dimensions



d	10	mm
D	26	mm
B	8	mm
d <sub>1</sub>	14.8	mm
D <sub>2</sub>	22.6	mm
r <sub>1,2</sub>	min. 0.3	mm

## Abutment dimensions



d <sub>a</sub>	min. 12	mm
d <sub>a</sub>	max. 14.7	mm
D <sub>a</sub>	max. 24	mm
r <sub>a</sub>	max. 0.3	mm

## Calculation data

Basic dynamic load rating	C	4.8	kN
Basic static load rating	C <sub>0</sub>	2	kN
Fatigue load limit	P <sub>u</sub>	0.083	kN
Reference speed		67000	r/min
Limiting speed		34000	r/min
Calculation factor	k <sub>r</sub>	0.025	
Calculation factor	f <sub>0</sub>	12	

## Mass

Mass bearing	0.0201	kg
--------------	--------	----

