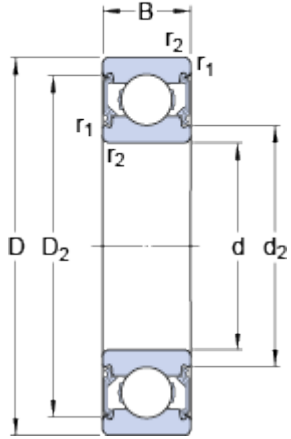


6000-2RSH

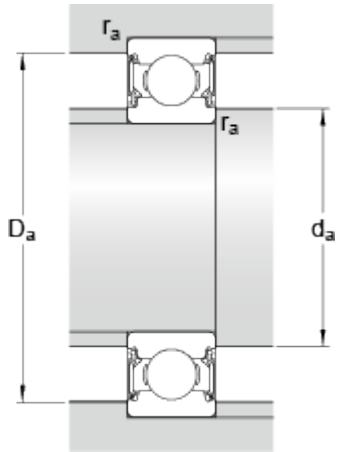
SKF Explorer

Dimensions



d	10	mm
D	26	mm
B	8	mm
d ₂	12.55	mm
D ₂	22.6	mm
r _{1,2}	min. 0.3	mm

Abutment dimensions



d _a	min. 12	mm
d _a	max. 12.5	mm
D _a	max. 24	mm
r _a	max. 0.3	mm

Calculation data

Basic dynamic load rating	C	4.8	kN
Basic static load rating	C ₀	2	kN
Fatigue load limit	P _u	0.083	kN
Limiting speed		19000	r/min
Calculation factor	k _r	0.025	
Calculation factor	f ₀	12	

Mass

Mass bearing	0.019	kg
--------------	-------	----