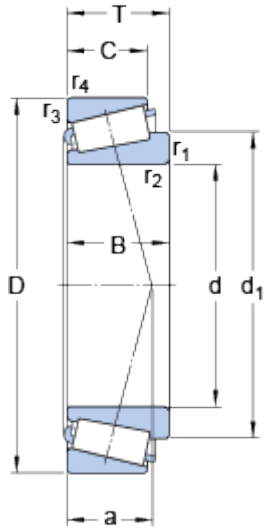


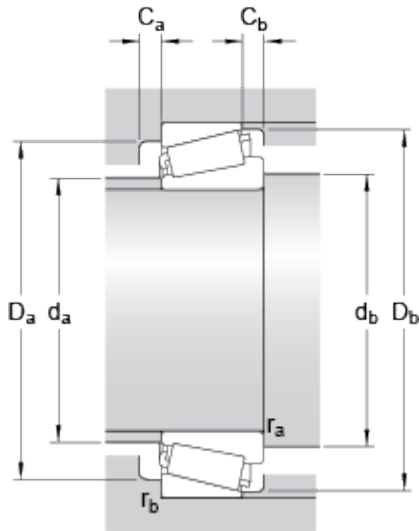
# 30207 J2/Q

## Dimensions



d	35	mm
D	72	mm
T	18.25	mm
d <sub>1</sub>	51.95	mm
B	17	mm
C	15	mm
r <sub>1,2</sub>	min. 1.5	mm
r <sub>3,4</sub>	min. 1.5	mm
a	15	mm

## Abutment dimensions



d <sub>a</sub>	max. 44	mm
d <sub>b</sub>	min. 42	mm
D <sub>a</sub>	min. 62	mm
D <sub>a</sub>	max. 65	mm
D <sub>b</sub>	min. 67	mm
C <sub>a</sub>	min. 3	mm
C <sub>b</sub>	min. 3	mm
r <sub>a</sub>	max. 1.5	mm
r <sub>b</sub>	max. 1.5	mm

## Calculation data

Basic dynamic load rating	C	51.2	kN
Basic static load rating	C <sub>0</sub>	56	kN
Fatigue load limit	P <sub>u</sub>	6.1	kN
Reference speed		7000	r/min

Limiting speed		9500	r/min
Calculation factor	e	0.37	
Calculation factor	Y	1.6	
Calculation factor	Y <sub>0</sub>	0.9	

---

**Mass**

Mass bearing		0.329	kg
--------------	--	-------	----

---