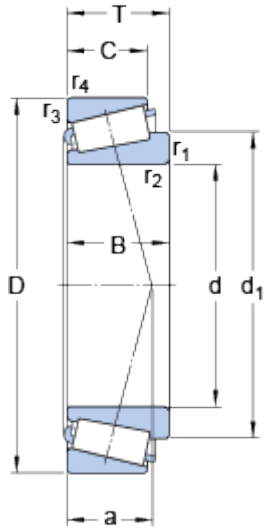


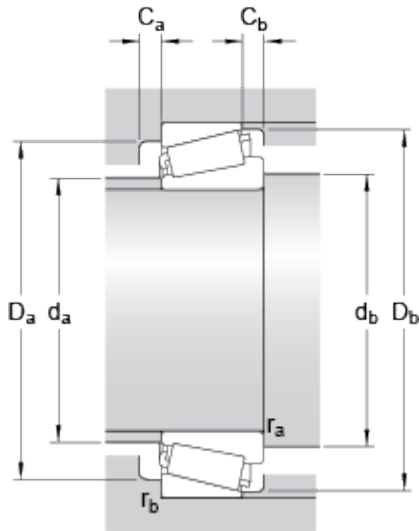
30205 J2/Q

Dimensions



d	25	mm
D	52	mm
T	16.25	mm
d ₁	38	mm
B	15	mm
C	13	mm
r _{1,2}	min. 1	mm
r _{3,4}	min. 1	mm
a	12.33	mm

Abutment dimensions



d _a	max. 31	mm
d _b	min. 31	mm
D _a	min. 44	mm
D _a	max. 46	mm
D _b	min. 48	mm
C _a	min. 2	mm
C _b	min. 3	mm
r _a	max. 1	mm
r _b	max. 1	mm

Calculation data

Basic dynamic load rating	C	30.8	kN
Basic static load rating	C ₀	33.5	kN
Fatigue load limit	P _u	3.4	kN
Reference speed		10000	r/min

Limiting speed		13000	r/min
Calculation factor	e	0.37	
Calculation factor	Y	1.6	
Calculation factor	Y ₀	0.9	

Mass

Mass bearing		0.151	kg
--------------	--	-------	----
