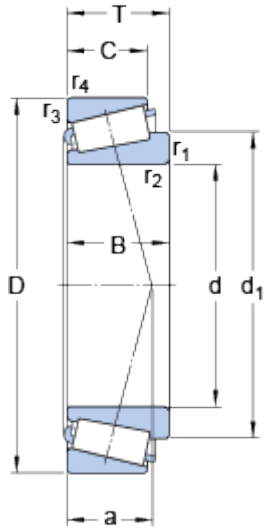


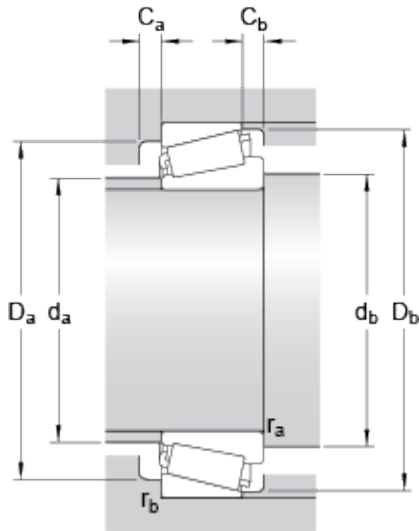
# 30204 J2/Q

## Dimensions



d	20	mm
D	47	mm
T	15.25	mm
d <sub>1</sub>	33.7	mm
B	14	mm
C	12	mm
r <sub>1,2</sub>	min. 1	mm
r <sub>3,4</sub>	min. 1	mm
a	11.028	mm

## Abutment dimensions



d <sub>a</sub>	max. 27	mm
d <sub>b</sub>	min. 26	mm
D <sub>a</sub>	min. 40	mm
D <sub>a</sub>	max. 41	mm
D <sub>b</sub>	min. 43	mm
C <sub>a</sub>	min. 2	mm
C <sub>b</sub>	min. 3	mm
r <sub>a</sub>	max. 1	mm
r <sub>b</sub>	max. 1	mm

## Calculation data

Basic dynamic load rating	C	27.5	kN
Basic static load rating	C <sub>0</sub>	28	kN
Fatigue load limit	P <sub>u</sub>	3	kN
Reference speed		11000	r/min

Limiting speed		15000	r/min
Calculation factor	e	0.35	
Calculation factor	Y	1.7	
Calculation factor	Y <sub>0</sub>	0.9	

---

**Mass**

Mass bearing		0.125	kg
--------------	--	-------	----

---