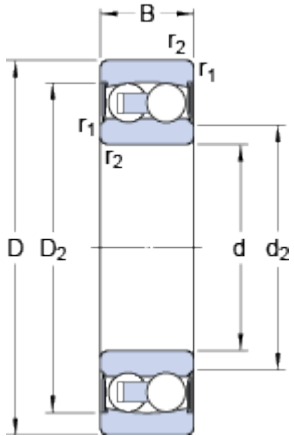


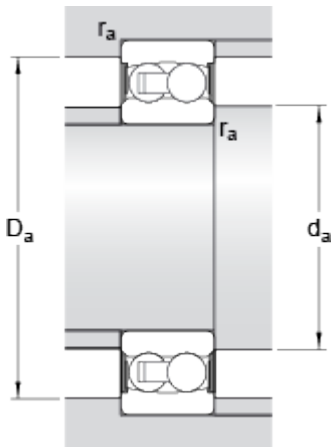
2205 E-2RS1TN9

Dimensions



d	25	mm
D	52	mm
B	18	mm
d ₂	≈ 31	mm
D ₂	≈ 46.2	mm
r _{1,2}	min. 1	mm

Abutment dimensions



d _a	min. 30.6	mm
d _a	max. 31	mm
D _a	max. 46.4	mm
r _a	max. 1	mm

Calculation data

Basic dynamic load rating	C	14.3	kN
Basic static load rating	C ₀	4	kN
Fatigue load limit	P _u	0.21	kN
Limiting speed		9000	r/min
Permissible angular misalignment	α	1.5	°
Calculation factor	k _r	0.045	
Calculation factor	e	0.28	
Calculation factor	Y ₀	2.5	
Calculation factor	Y ₁	2.2	
Calculation factor	Y ₂	3.5	

Mass

Mass bearing	0.16	kg
--------------	------	----