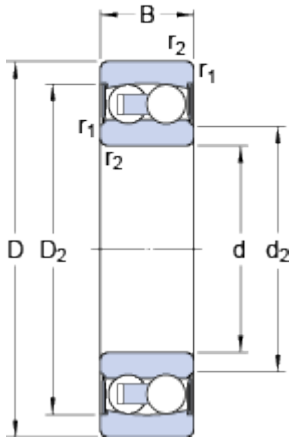


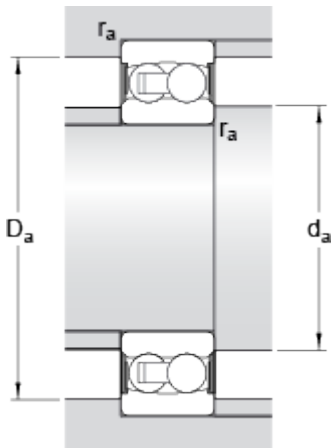
2204 E-2RS1TN9

Dimensions



| | | |
|------------------|-------------|----|
| d | 0.787 | in |
| D | 1.85 | in |
| B | 0.709 | in |
| d ₂ | 1.02 | in |
| D ₂ | 1.623 | in |
| r _{1,2} | min. 0.0394 | in |

Abutment dimensions



| | | |
|----------------|-------------|----|
| d _a | min. 0.984 | in |
| d _a | max. 1.004 | in |
| D _a | max. 1.63 | in |
| r _a | max. 0.0394 | in |

Calculation data

| | | | |
|----------------------------------|----------------|-------|-------|
| Basic dynamic load rating | C | 2855 | lbf |
| Basic static load rating | C ₀ | 764 | lbf |
| Fatigue load limit | P _u | 40.5 | lbf |
| Limiting speed | | 10000 | r/min |
| Permissible angular misalignment | | 1.5 | ° |
| Calculation factor | k _r | 0.045 | |
| Calculation factor | e | 0.3 | |
| Calculation factor | Y ₀ | 2.2 | |
| Calculation factor | Y ₁ | 2.1 | |
| Calculation factor | Y ₂ | 3.3 | |

Mass

Mass bearing

0.309

lb
