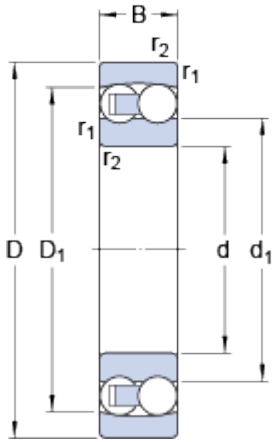


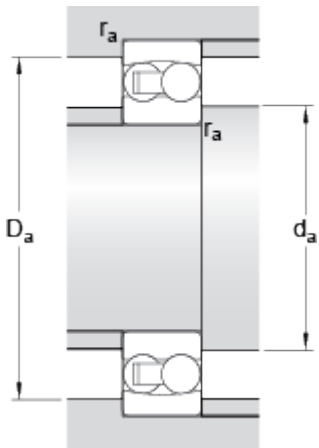
# 1206 ETN9

## Dimensions



d	30	mm
D	62	mm
B	16	mm
d <sub>1</sub>	40.3	mm
D <sub>1</sub>	51.9	mm
r <sub>1,2</sub>	min. 1	mm

## Abutment dimensions



d <sub>a</sub>	min. 35.6	mm
D <sub>a</sub>	max. 56.4	mm
r <sub>a</sub>	max. 1	mm

## Calculation data

Basic dynamic load rating	C	15.6	kN
Basic static load rating	C <sub>0</sub>	4.6	kN
Fatigue load limit	P <sub>u</sub>	0.24	kN
Reference speed		24000	r/min
Limiting speed		15000	r/min
Permissible angular misalignment		2.5	°
Calculation factor	k <sub>r</sub>	0.04	
Calculation factor	e	0.25	
Calculation factor	Y <sub>0</sub>	2.5	
Calculation factor	Y <sub>1</sub>	2.5	

Calculation factor

$Y_2$

3.9

---

**Mass**

Mass bearing

0.22

kg

---