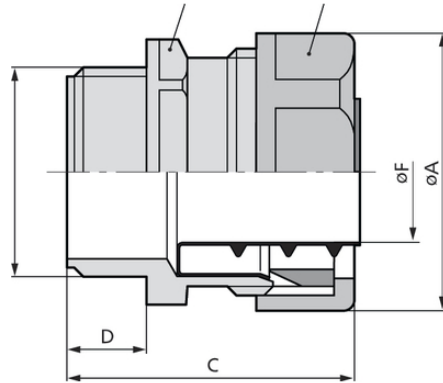


SILVYN® USK-M

SILVYN® USK-M - metric threaded conduit fitting



Assembly time



Maximum vibration protection

Benefits

- Fast and easy assembly
- Vibration protection
- No extra parts necessary

Application range

In combination with protective conduit:
 SILVYN® FPS/ FD-PU
 SILVYN® SP/SP-PU
 Indoor applications
 Light mechanical stress

Product features

Large wrench sizes

Product Make-up

- Metric connection thread
- Hexagonal collar
- Threaded sleeve
- Cap nut

Note

Included: SILVYN® EE-K inner sleeve

SILVYN® USK-M**Technical Data**

Classification:	ETIM 5.0 Class-ID: EC001178 ETIM 5.0 Class-Description: Screw connection for protective plastic hose
Colour delivered:	Silver grey (RAL 7001)
Material:	PP
Protection rating:	IP 54
Temperature range:	-10°C to +110°C

Note

Photographs are not to scale and do not represent detailed images of the respective products.
Prices are net prices without VAT and surcharges. Sale to business customers only.

**SILVYN® USK-M**

Article number	Metric size	SW 1/2 mm	Overall length mm	Thread length mm	Clear opening (mm)	Suitable for SILVYN® FD-PU/FPS	Suitable for SILVYN® SP	Suitable for SILVYN® SP-PU
SILVYN® USK-M								
55501300	10 x 1.0	16 / 18	40	10	6	7 x 10	-	-
55501310	12 x 1.5	21 / 23	43	12	8	10 x 14	10 x 14	10 x 14
55501320	16 x 1.5	24 / 27	43	12	11	13 x 17	12 x 16	12 x 16
55501330	20 x 1.5	29 / 32	44	13	15	16 x 21	16 x 20	16 x 20
55501340	25 x 1.5	36 / 40	50	13	20	22 x 27	22 x 27	22 x 27
55501350	32 x 1.5	45 / 49	51	15	27	29 x 36	30 x 36	30 x 36
55501360	40 x 1.5	54 / 58	51	15	35	38 x 45	38 x 44	38 x 44
55501370	50 x 1.5	66 / 70	58	16	44.5	48 x 56	49 x 56	-

Last Update (11.07.2017)

©2017 Lapp Group - Technical changes reserved

Product Management www.lappkabel.deYou can find the current technical data in the corresponding data sheet.
PN 0456 / 02_03.16