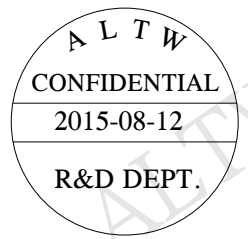


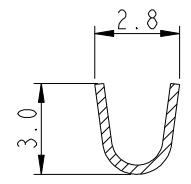
THIS DOCUMENT IS SUBJECT TO CHANGE WITHOUT NOTICE. IT IS CONFIDENTIAL AND A PROPERTY OF AMPHENOL LTW. DISCLOSURE TO THIRD PARTY HAS TO BE AUTHORIZED BY AMPHENOL LTW.

REV.	ECN NO.	DATE	SIGN	DESCRIPTION

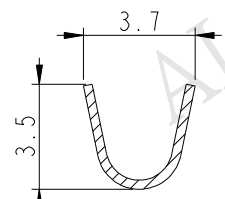


SAFI6B-XXG03

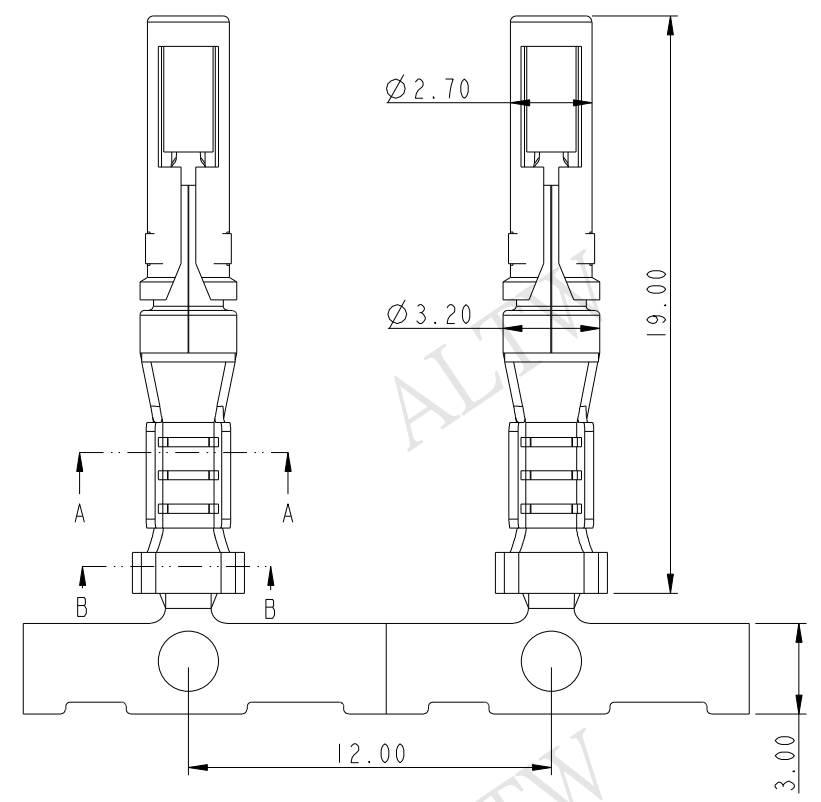
- 01:MPQ/REEL
- 02:LOOSE PIECE 500PCS
- 03:LOOSE PIECE 100PCS



SECTION A-A



SECTION B-B



Note:

- * Material
 - Contact Body: Copper Alloy
 - Outer Spring: Stainless steel
- * Contact Finish: 3u"Min Gold Plating
- * Current Rating: 10A Max
- * Termination Type: Crimping
- * Wire Range: 18AWG~16AWG
- * Salt Spray Test 48H
- * This drawing is supplied for information only design features specifications and performance data

UNIT:mm		
TOLERANCE	±0.5	

TITLE 10A FEMALE CLAW PIN TERMINAL			
SCALE 4:1	SIZE A4	SHEET 1 OF 1	
REV. A	WC-REV. A.2	QC: Inspection item	

Amphenol LTW
安費諾亮泰企業股份有限公司

ITEM NO	DRAWN BY Jinhai	DATE 2015-08-12
DWG NO SAFI6B-XXG03	CHECKED BY Rensong	DATE 2015-08-12
CUSTOMER ALTW	APPROVED BY Jerry	DATE 2015-08-12