

# AC axial fan

S series



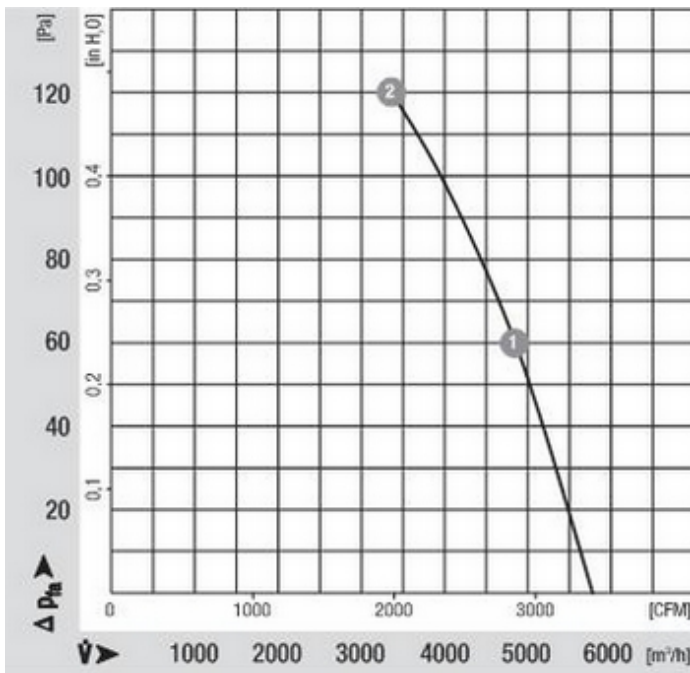
- **Design:** Basket guard grille
- **Impeller material:** Plastic, black
- **Motor material:** Rotor: Coated in black

| Nominal data |          | Voltage | Frequency | Air flow          | Speed at highest load | Max. power consumption at highest load | Max. current draw at highest load | Capacitor capacity | Operative range 50Hz | Ambient temperature 50Hz | Weight |
|--------------|----------|---------|-----------|-------------------|-----------------------|--|-----------------------------------|--------------------|----------------------|--------------------------|--------|
| Type         | Motor    | 1- VAC  | Hz        | m <sup>3</sup> /h | 1/min                 | W                                      | A                                 | uF/V               | Pa                   | °C                       | kg     |
| S4E450AU0301 | M4E094EA | 230     | 50        | 5750              | 1300                  | 350                                    | 1.55                              | 8.0 / 400          | 0 .. 120             | -40 .. 55                | 6.0    |

Subject to modification

Characteristic: Pressure over air flow at 50Hz

| n       | P <sub>1</sub> | I   | LpA   | ntL |
|---------|----------------|-----|-------|-----|
| [1/min] | [W]            | [A] | [dBA] | [%] |

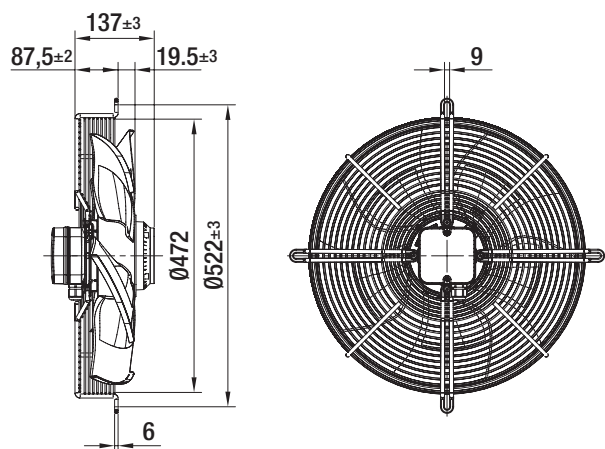


|   |      |     |      |    |    |
|---|------|-----|------|----|----|
| 1 | 1350 | 310 | 1,35 | 68 | -- |
| 2 | 1300 | 350 | 1,55 | 65 | -- |

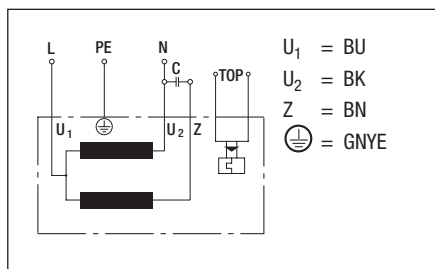
# AC axial fan

S series

## Specific drawing



## Connection illustration



## Technical description

- **Design:** Basket guard grille
- **Motor material:** Rotor: Coated in black
- **Direction of rotation:** Counter-clockwise, seen on rotor
- **Number of impeller blades:** 5
- **Cable layout:** Lateral via terminal strip
- **Guideline:** CE
- **Insulation class:** "F"
- **System of protection:** IP 54
- **Impeller material:** Plastic, black
- **Bearings:** Maintenance-free ball bearings
- **Direction of flow:** "V"
- **Electrical connection:** Screwed cable gland
- **Screw depth:** Max. 10 mm
- **Operating mode:** Continuous operation (S1)
- **Protection class:** I
- **Motor protection:** internal TOP

## Contact

ebm-papst Mulfingen GmbH & Co. KG

Bachmühle 2

D-74673 Mulfingen

Phone +49 (0) 79 38 / 81-0

Fax +49 (0) 79 38 / 81-110

info1@de.ebmpapst.com

www.ebmpapst.com