

S3D06065A/S3D06065F/S3D06065E/S3D06065G/S3D06065I 6A 650V SiC POWER SCHOTTKY RECTIFIERS

Description


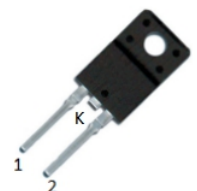
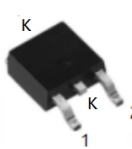
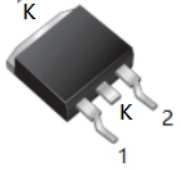


S3D06065A/S3D06065F/S3D06065E/S3D06065G/S3D06065I are all single SiC Schottky rectifiers packaged in TO-220AC(TO-220-2)/ITO-220AC(TO-220-2F)/DPAK(TO-252-2)/D2PAK(TO-263-2)/TO-220-Isolation case. The device is a high voltage Schottky rectifier that has very low total conduction losses and very stable switching characteristics over temperature extremes. The S3D06065A/S3D06065F/S3D06065E/S3D06065G/S3D06065I are ideal for energy sensitive, high frequency applications in challenging environments.

Features

- 175°C T_J operation
- Ultra-low switching loss
- Switching speeds independent of operating temperature
- Low total conduction losses
- High forward surge current capability
- High package isolation voltage
- Terminals finish: 100% Pure Tin
- Pb – Free Device
- All SMC parts are traceable to the wafer lot
- Additional electrical and life testing can be performed upon request

Applications

- Alternative energy inverters
- Power Factor Correction (PFC)
- Free-Wheeling diodes
- Switching supply output rectification
- Reverse polarity protection

S3D06065A	S3D06065F	S3D06065E	S3D06065G	S3D06065I
				
TO-220AC (TO-220-2)	ITO-220AC (TO-220-F2)	DPAK (TO-252-2)	D ² PAK (TO-263-2)	TO-220-Isolation
				

Maximum Ratings:

Characteristics	Symbol	Condition	Max.	Units
Peak Repetitive Reverse Voltage	V _{RRM}	-	650	V
Working Peak Reverse Voltage	V _{RWM}			
DC Blocking Voltage	V _R			
Average Rectified Forward Current	I _{F(AV)}	50% duty cycle @T _c =150°C, rectangular wave form	6	A
Peak One Cycle Non-Repetitive Surge Current	I _{FSM}	10ms, Half Sine pulse, T _J =25°C	70	A
Non-Repetitive Peak Forward Surge Current	I _{F,Max}	10µs. Pulse, T _J =25°C	700	A
Power Dissipation	P _{tot}	T _J =25°C	103	W

- China - Germany - Korea - Singapore - United States •
- <http://www.smc-diodes.com> - sales@smc-diodes.com •

Electrical Characteristics:

Characteristics	Symbol	Condition	Typ.	Max.	Units
Forward Voltage Drop*	V _{F1}	@ 6A, Pulse, T _J = 25 °C	1.5	1.7	V
	V _{F2}	@ 6A, Pulse, T _J = 175 °C	1.9	2.4	V
Reverse Current*	I _{R1}	@V _R = rated V _R T _J = 25 °C	0.002	8	µA
	I _{R2}	@V _R = rated V _R T _J = 175 °C	0.06	25	µA
Junction Capacitance	C _T	V _R =0V, T _J =25°C, f=1MHz	382	-	pF
Reverse Recovery Charge	Q _c	I _F = 6A, di/dt = 500A/µs V _R = 400 V, T _J = 25°C	23.8	-	nC
Capacitance Stored Energy	E _c	V _R = 400 V	5.88	-	µJ

* Pulse width < 300 µs, duty cycle < 2%

Thermal-Mechanical Specifications:

Characteristics	Symbol	S3D06065A	S3D06065F	S3D06065E	S3D06065G	S3D06065I	Units
Junction Temperature	T _J	-55 to +175					°C
Storage Temperature	T _{stg}	-55 to +175					°C
Typical Thermal Resistance Junction to Case	R _{qJC}	1.7	4	1.5	1.65	3.3	°C/W

Ordering Information

Device	Package	Shipping
S3D06065A	TO-220AC(TO-220-2)	50pcs / tube
S3D06065F	ITO-220AC(TO-220-F2)	50pcs / tube
S3D06065E	DPAK(TO-252-2)	2500pcs / reel
S3D06065G	D2PAK(TO-263-2)	800pcs / reel
S3D06065I	TO-220-Isolation	50pcs / tube

For information on tape and reel specifications, including part orientation and tape sizes, please refer to our tape and reel packaging specification.

Ratings and Characteristics Curves

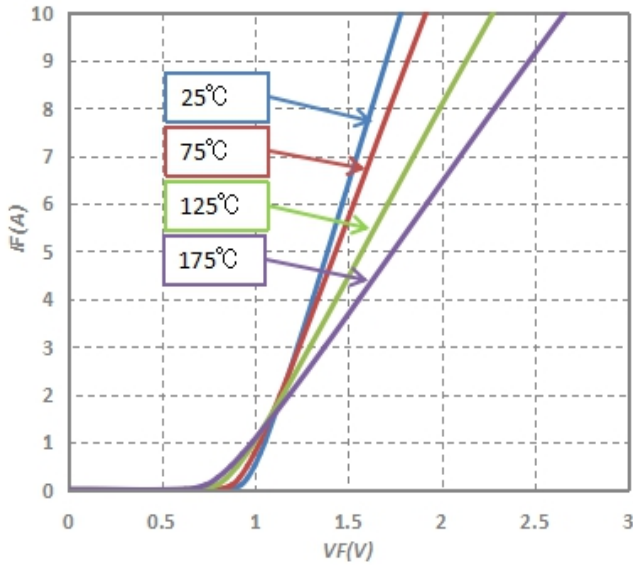


Fig.1-Typical Forward Voltage Characteristics

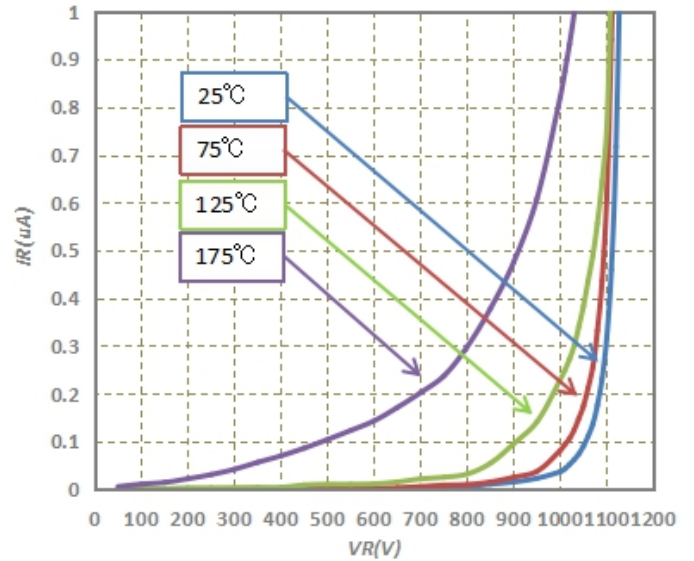


Fig.2-Typical Reverse Characteristics

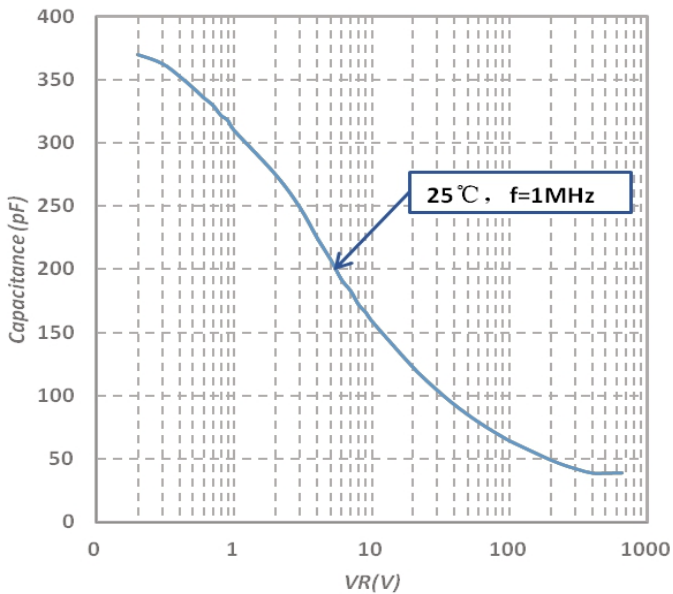


Fig.3-Capacitance vs. Reverse Voltage

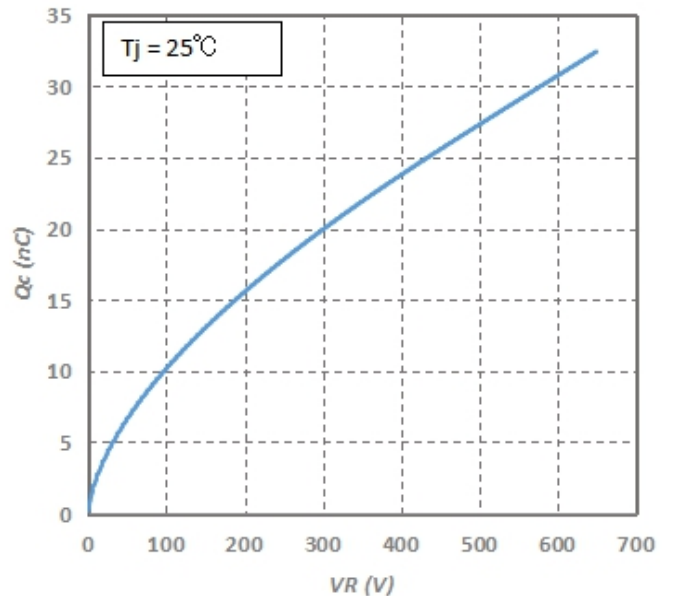


Fig.4-Total Capacitance Charge vs. Reverse Voltage

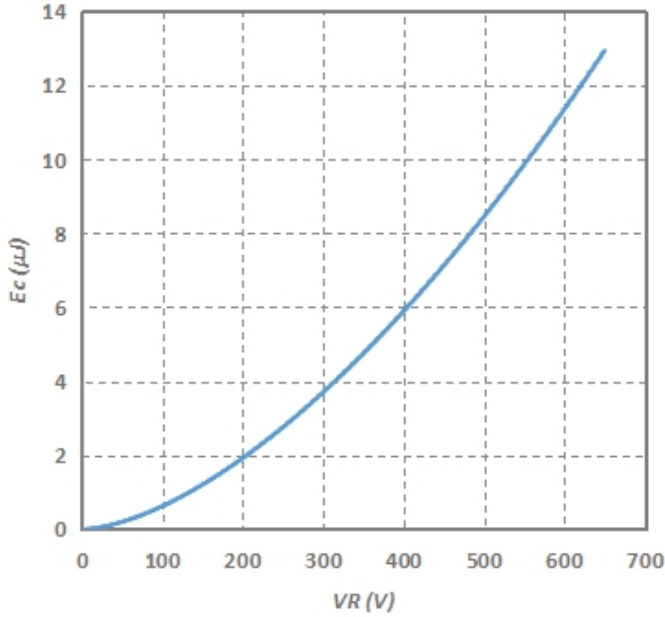


Fig.5-Capacitance Stored Energy

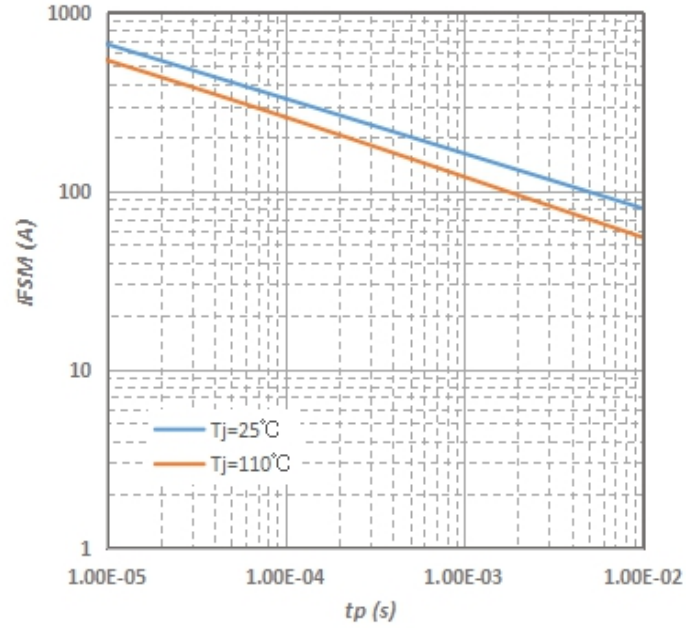


Fig.6-Non-repetitive peak forward surge current versus pulse duration (sinusoidal waveform)

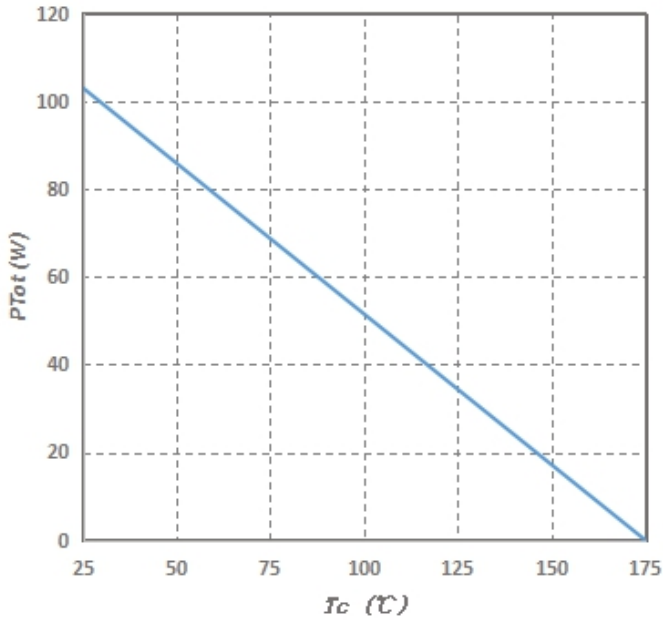


Fig.7-Power Derating

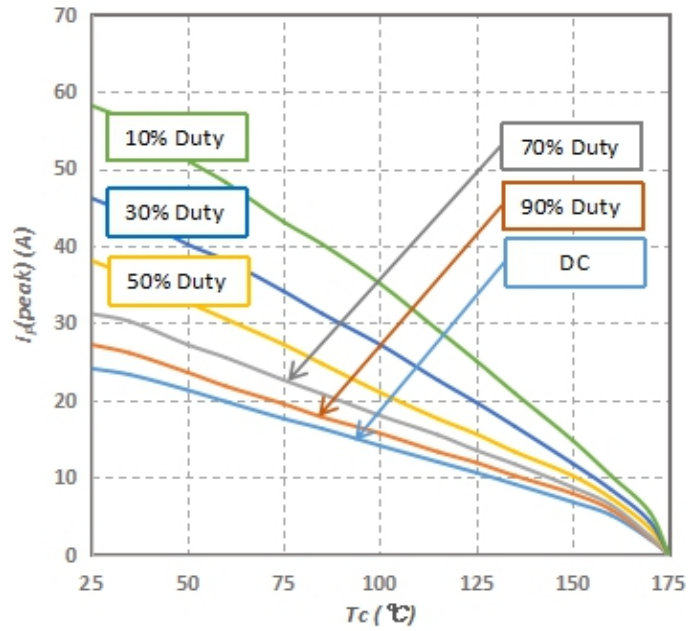
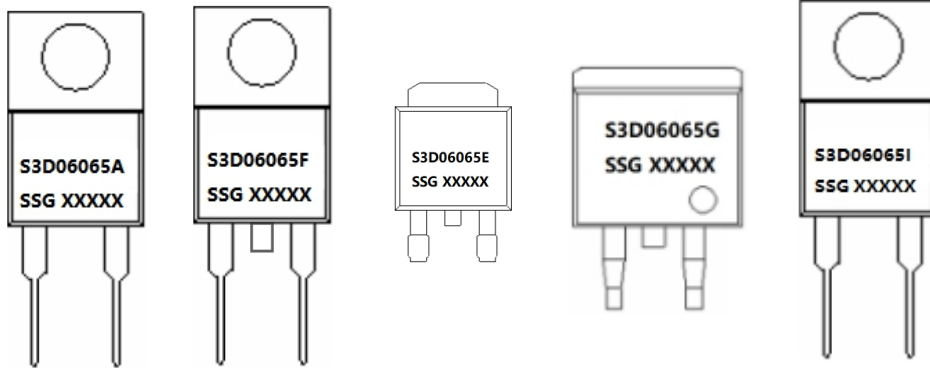


Fig.8-Current Derating

Marking Diagram

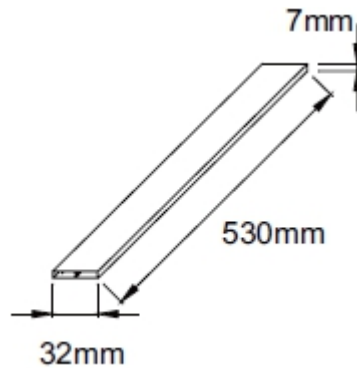


Where XXXXX is YYWWL

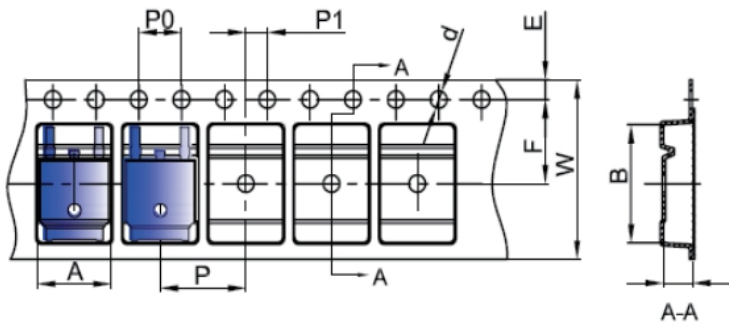
S3D = Device Type
A/F/E/G/I = Package type
06 = Forward Current (6A)
065 = Reverse Voltage (650V)
SSG = SSG
YY = Year
WW = Week
L = Lot Number

Cautions: Molding resin
Epoxy resin UL:94V-0

Tube Specification(TO-220-2/TO-220-F2/TO-220-Isolation)

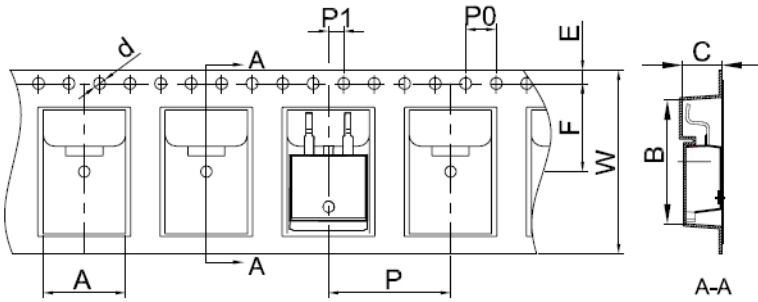


Carrier Tape & Reel Specification DPAK(TO-252-2)



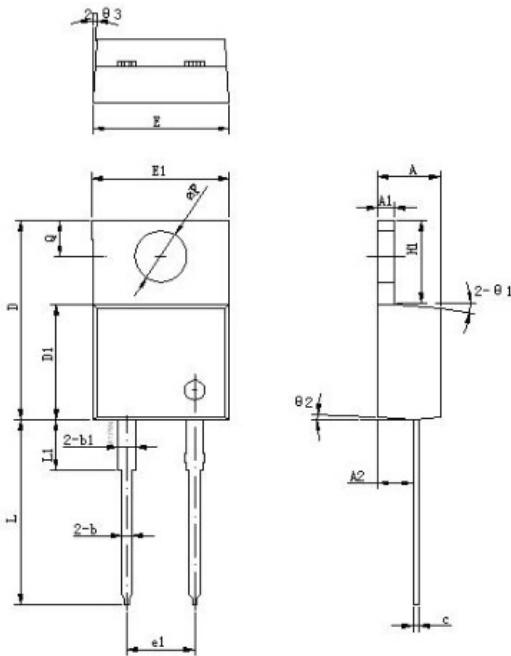
SYMBOL	Millimeters	
	Min.	Max.
A	6.80	7.00
B	10.40	10.60
C	2.60	2.80
d	Φ1.45	Φ1.65
E	1.65	1.85
F	7.40	7.60
P0	3.90	4.10
P	7.90	8.10
P1	1.90	2.10
W	15.90	16.30

Carrier Tape & Reel Specification D2PAK(TO-263-2)



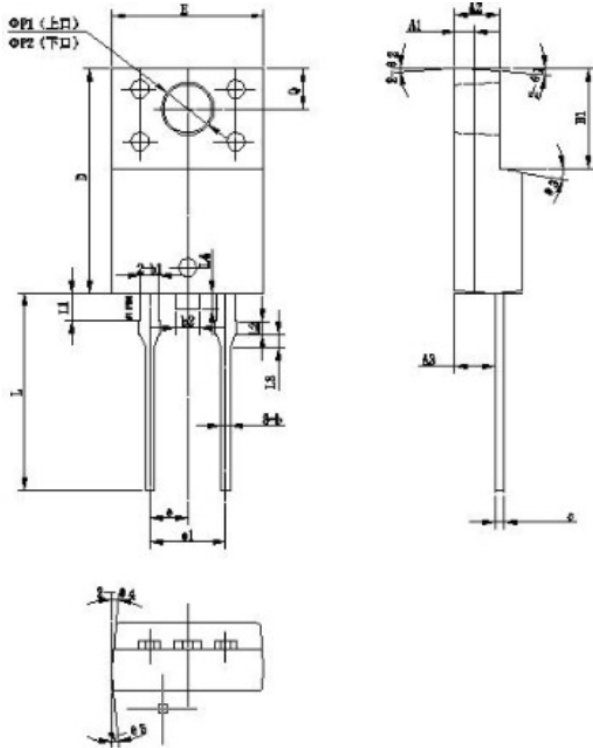
SYMBOL	Millimeters	
	Min.	Max.
A	10.70	10.90
B	16.03	16.23
C	5.11	5.31
d	1.45	1.65
E	1.65	1.85
F	11.40	11.60
P0	3.90	4.10
P	15.90	16.10
P1	1.90	2.10
W	23.90	24.30

Mechanical Dimensions TO-220AC(TO-220-2)



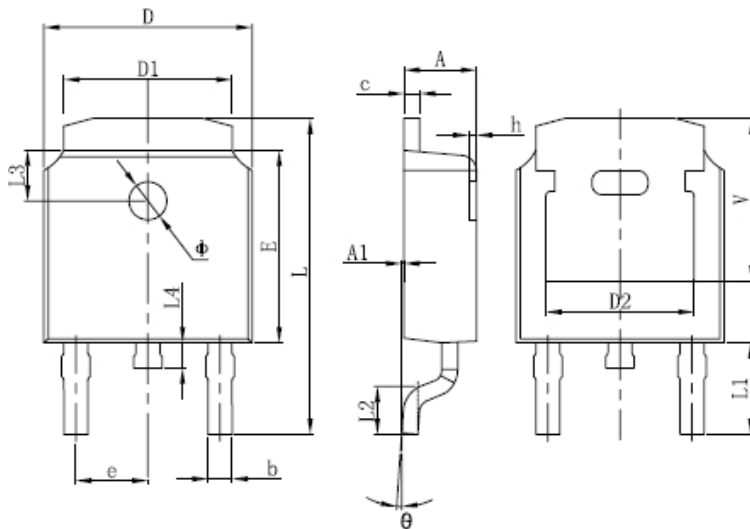
Symbol	Dimensions in millimeters		
	Min.	Typical	Max.
A	4.55	4.70	4.85
A1	1.17	1.27	1.37
A2	2.59	2.69	2.89
b	0.71	0.81	0.96
b1		1.27	
c	0.36	0.38	0.61
D	14.64	14.94	15.24
D1	8.55	8.70	8.90
E	10.01	10.16	10.31
E1	9.98	10.18	10.38
e1		5.08	
H1	6.04	6.24	6.44
L	13.00	13.86	14.08
L1		3.80	
ØP	3.74	3.84	4.04
Q	2.54	2.74	2.94
Ø1		5°	
Ø2		4°	
Ø3		4°	

Mechanical Dimensions ITO-220AC(TO-220-2F)



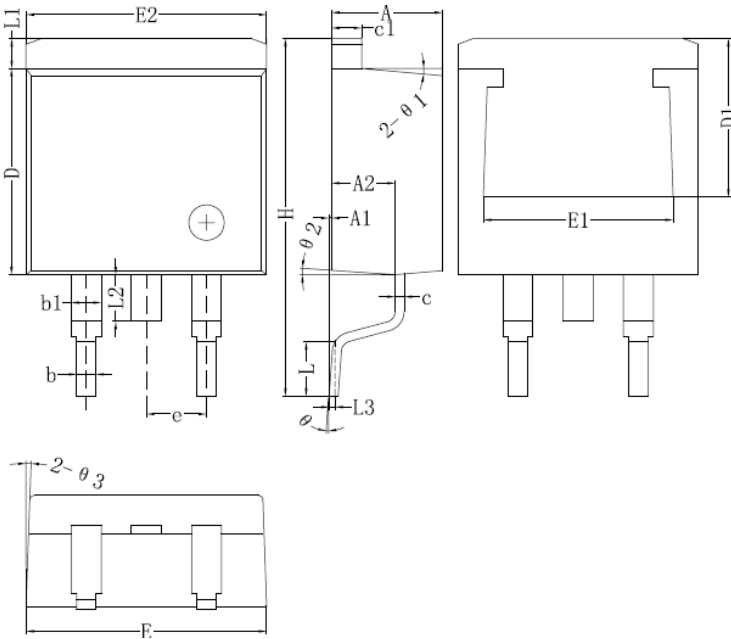
Symbol	Dimensions in millimeters		
	Min.	Typical	Max.
A	4.30	4.0	4.70
A1		1.30	
A2	2.80	3.00	3.20
A3	2.50	2.70	2.90
b	0.5	0.6	0.75
b1		1.20	
b2		1.60	
e	0.55	0.6	0.75
D	14.80	15.00	15.20
E	8.96	10.14	10.36
e		2.55	
e1		5.10	
H1	8.50	8.70	8.90
L	17.70	18.20	18.70
L1		1.80	
L2		1.00	
L3		0.80	
L4		1.10	
ΦP1(上口)	3.30	3.50	3.70
ΦP1(下口)	2.99	3.19	3.39
Q	2.50	2.70	2.90
Θ1		5°	
Θ2		4°	
Θ3		10°	
Θ4		5°	
Θ5		5°	

Mechanical Dimensions DPAK(TO-252-2)



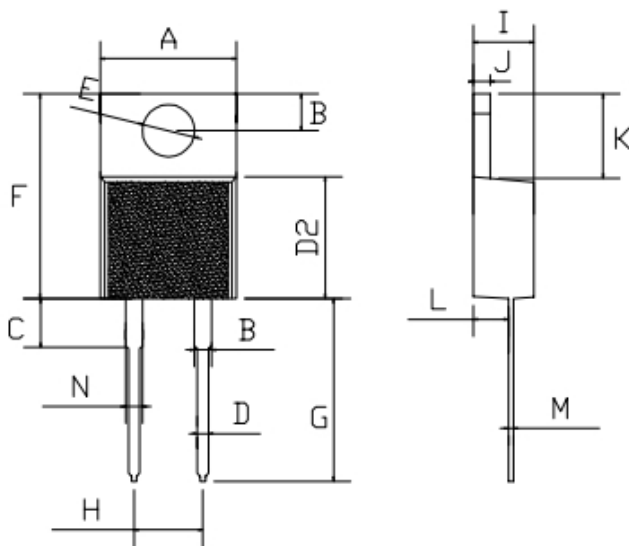
SYMBOL	Millimeters		Inches	
	Min.	Max.	Min.	Max.
A	2.20	2.40	0.086	0.094
A1	0	0.13	0	0.005
b	0.635	0.889	0.025	0.035
c	0.460	0.889	0.018	0.035
D	6.50	6.70	0.250	0.265
D1	4.95	5.46	0.195	0.215
D2	4.32 REF.		0.170 REF.	
E	6.00	6.20	0.235	0.245
e	2.286 BSC		0.090 BSC	
L	9.398	10.414	0.370	0.410
L1	1.778 REF.		0.108 REF.	
L2	1.40	1.78	0.055	0.07
L3	1.60 REF.		0.063 REF.	
L4	0.60	1.02	0.024	0.040
Φ	1.10	1.30	0.043	0.051
Θ	0°	10°	0°	10°
h	0	0.30	0	0.012
V	5.21 REF.		0.205 REF.	

Mechanical Dimensions D²PAK(TO-263-2)



Symbol	Dimensions in millimeters		
	Min.	Typical	Max.
A	4.55	4.70	4.85
A1	0	0.10	0.25
A2	2.59	2.69	2.89
b	0.71	0.81	0.96
b1		1.27	
c	0.36	0.38	0.61
c1	1.17	1.27	1.37
D	8.55	8.70	8.85
D1	6.40		
E	10.01	10.16	10.31
E1	7.6		
E2	9.98	10.08	10.18
e		2.54	
H	14.6	15.1	15.6
L	2.00	2.30	2.70
L1	1.17	1.27	1.40
L2			2.20
L3		0.25BSC	
θ	0	-	8°
θ ₁		5°	
θ ₂		4°	
θ ₃		4°	

Mechanical Dimensions TO-220-Isolation



SYMBOL	Millimeters		Inches	
	Min.	Max.	Min.	Max.
A	9.7	10.4	0.381	0.409
B	2.5	3.0	0.098	0.118
C	3.5	3.9	0.137	0.153
D	0.7	0.92	0.027	0.036
E	3.72	3.95	0.146	0.155
F	14.51	15.55	0.571	0.612
G	12.95	13.9	0.509	0.547
H	4.95	5.19	0.194	0.204
I	4.38	4.65	0.172	0.183
J	1.15	1.36	0.045	0.053
K	5.86	6.38	0.230	0.251
L	2.35	2.85	0.092	0.112
M	0.32	0.58	0.012	0.022
N	1.18	1.42	0.046	0.055



S3D06065A
S3D06065F
S3D06065E
S3D06065G
S3D06065I

Technical Data
Data Sheet N2331, REV.B



DISCLAIMER:

- 1- The information given herein, including the specifications and dimensions, is subject to change without prior notice to improve product characteristics. Before ordering, purchasers are advised to contact the SMC Diode Solutions sales department for the latest version of the datasheet(s).
- 2- In cases where extremely high reliability is required (such as use in nuclear power control, aerospace and aviation, traffic equipment, medical equipment, and safety equipment), safety should be ensured by using semiconductor devices that feature assured safety or by means of users' fail-safe precautions or other arrangement.
- 3- In no event shall SMC Diode Solutions be liable for any damages that may result from an accident or any other cause during operation of the user's units according to the datasheet(s). SMC Diode Solution assumes no responsibility for any intellectual property claims or any other problems that may result from applications of information, products or circuits described in the datasheets.
- 4- In no event shall SMC Diode Solutions be liable for any failure in a semiconductor device or any secondary damage resulting from use at a value exceeding the absolute maximum rating.
- 5- No license is granted by the datasheet(s) under any patents or other rights of any third party or SMC Diode Solutions.
- 6- The datasheet(s) may not be reproduced or duplicated, in any form, in whole or part, without the expressed written permission of SMC Diode Solutions.
- 7- The products (technologies) described in the datasheet(s) are not to be provided to any party whose purpose in their application will hinder maintenance of international peace and safety nor are they to be applied to that purpose by their direct purchasers or any third party. When exporting these products (technologies), the necessary procedures are to be taken in accordance with related laws and regulations..